

NOTE:

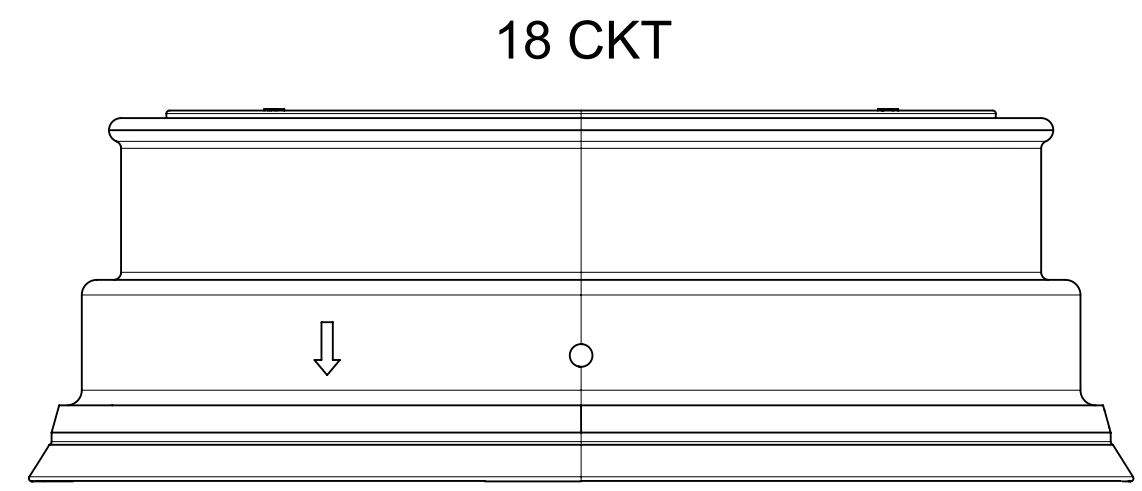
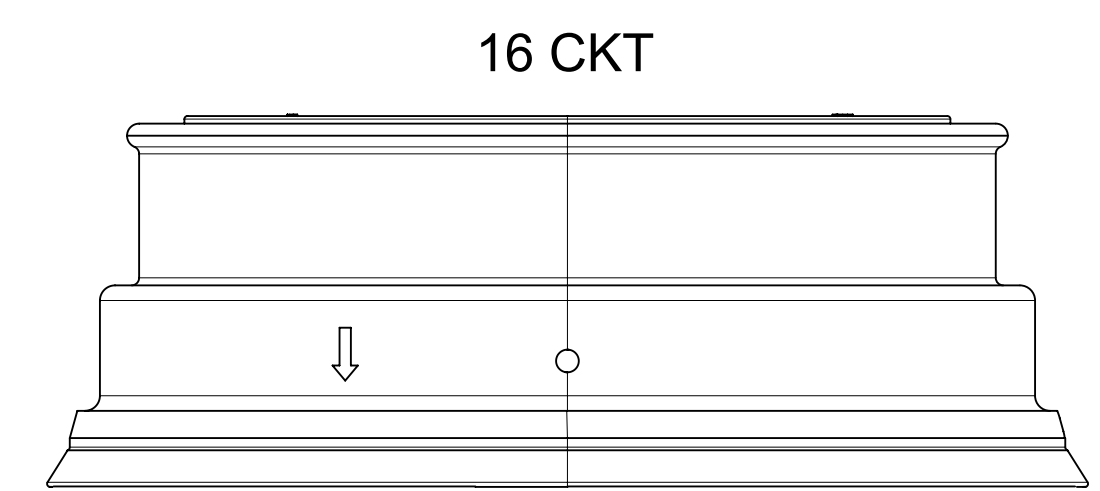
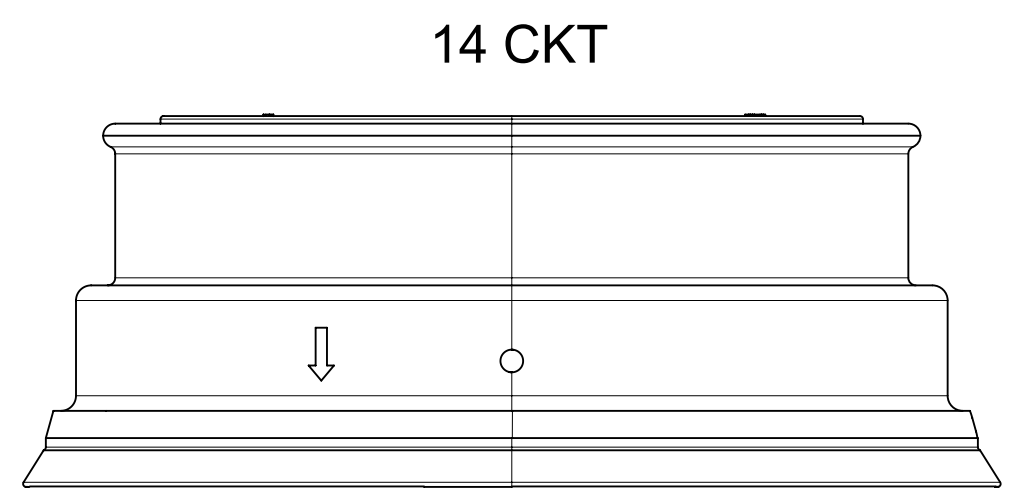
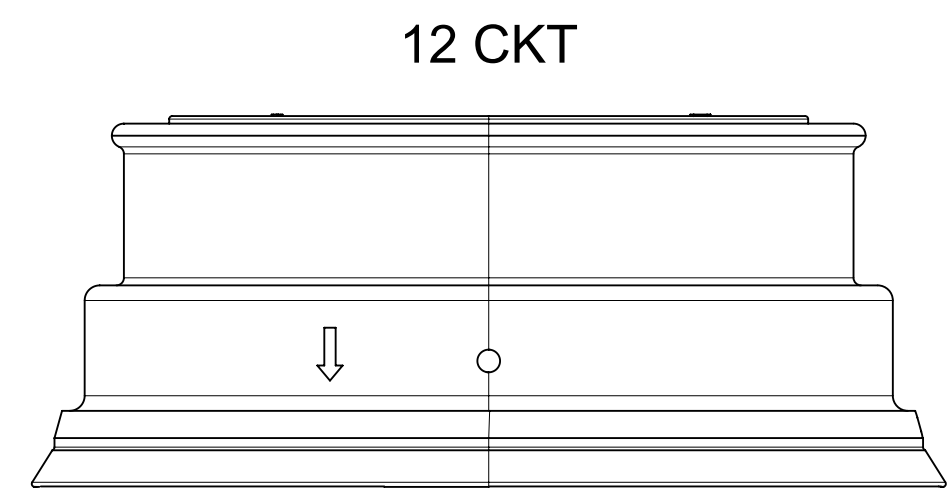
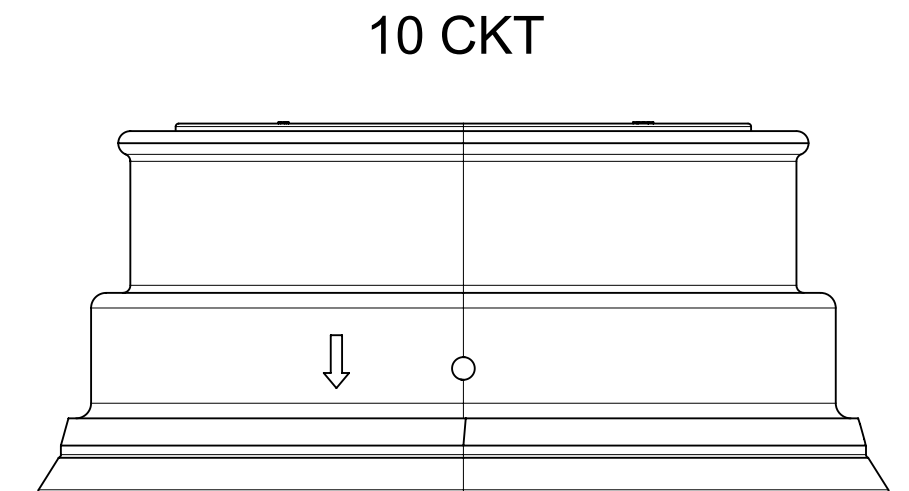
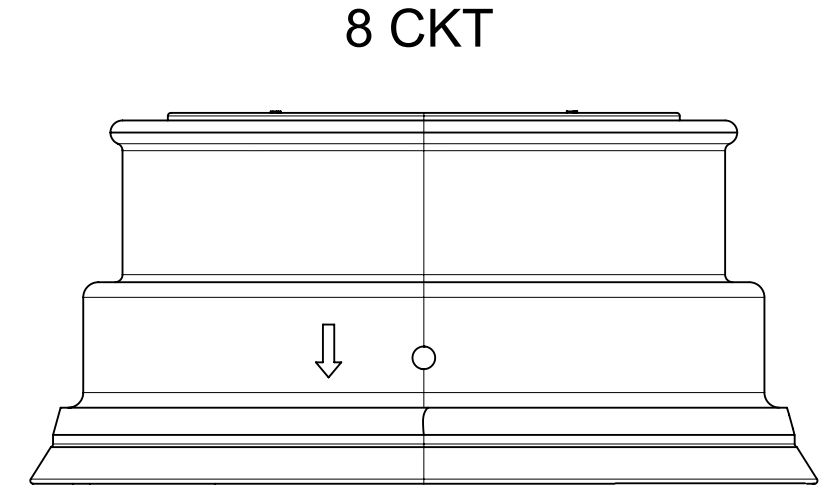
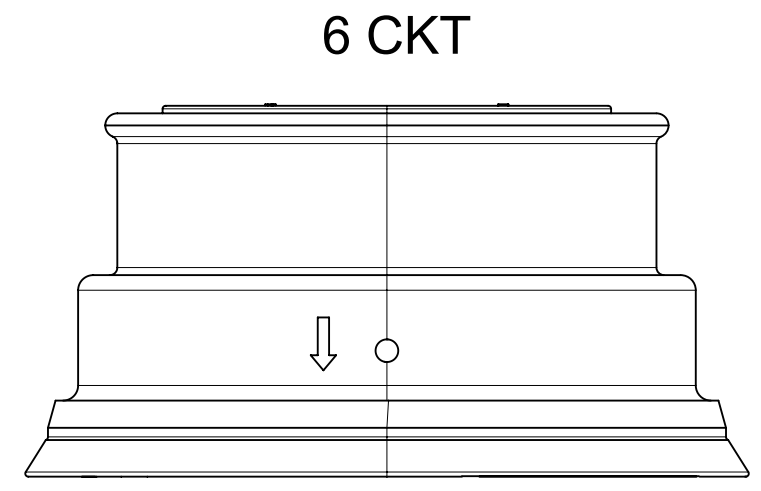
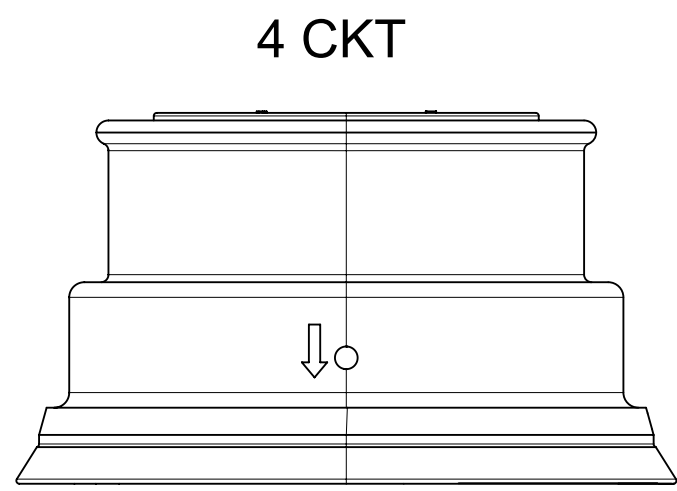
1. MATERIAL: THERMOPLASTIC ELASTOMER
COLOR: BLACK
2. PRODUCT SPECIFICATION: 2070170000-PS
APPLICATION SPECIFICATION: 2070170000-AS
3. PACKAGING SPECIFICATION: 2070180000-PK
4. THIS COVER TO BE USED WITH PLUG HSG SERIES 207017.
5. WIRES TO BE DRESSED IN SUCH A MANNER TO ALLOW TERMINALS TO FLOAT FREELY IN THE POCKET.
6. PART CONFORMS TO CLASS "B" REQUIREMENTS OF COSMETIC SPECIFICATION PS-45499-002.
7. TEXT ON PART IS FOR REFERENCE ONLY. TEXT AND TEXT LOCATION MAY VARY.

PART NUMBER	CKT	A	B
2070190018	18	73.0	60.8
2070190016	16	68.8	56.6
2070190014	14	64.6	52.4
2070190012	12	60.4	48.2
2070190010	10	56.2	44.0
2070190008	8	52.0	39.8
2070190006	6	47.8	35.6
2070190004	4	43.6	31.4

THIS DRAWING CONTAINS INFORMATION THAT IS PROPRIETARY TO MOLEX ELECTRONIC TECHNOLOGIES, LLC AND SHOULD NOT BE USED WITHOUT WRITTEN PERMISSION

DIMENSION UNITS	SCALE	CURRENT REV DESC: 2D UPDATED		molex		
mm	2:1					
GENERAL TOLERANCES (UNLESS SPECIFIED)		EC NO: 629453		MINI-FIT SIGMA SEALED CAP		
ANGULAR TOL ± 0.5°		DRWN: GGUNAGI 2019/12/19				
4 PLACES ±		CHK'D: NCSR 2020/01/09		PRODUCT CUSTOMER DRAWING		
3 PLACES ±		APPR: NCSR 2020/01/09				
2 PLACES ± 0.25		INITIAL REVISION:		DOCUMENT NUMBER		
1 PLACE ± 0.35		DRWN: GGUNAGI 2019/07/03				
0 PLACES ±		APPR: NCSR 2019/09/18		DOC TYPE		
DRAFT WHERE APPLICABLE MUST REMAIN WITHIN DIMENSIONS		THIRD ANGLE PROJECTION				
		DRAWING		REVISION		
		C-SIZE				
		SERIES		MATERIAL NUMBER		
		207019				
				GENERAL MARKET		
				1 OF 2		

DOCUMENT STATUS	P1	RELEASE DATE	2020/01/09	19:00:10
-----------------	----	--------------	------------	----------



THIS DRAWING CONTAINS INFORMATION THAT IS PROPRIETARY TO MOLEX ELECTRONIC TECHNOLOGIES, LLC AND SHOULD NOT BE USED WITHOUT WRITTEN PERMISSION									
DIMENSION UNITS		SCALE		CURRENT REV DESC: 2D UPDATED				molex	
mm		2:1							
GENERAL TOLERANCES (UNLESS SPECIFIED)				EC NO: 629453				MINI-FIT SIGMA SEALED CAP	
ANGULAR TOL ± 0.5°				DRWN: GGUNAGI 2019/12/19					
4 PLACES ±				CHK'D: NCSR 2020/01/09					
3 PLACES ±				APPR: NCSR 2020/01/09				PRODUCT CUSTOMER DRAWING	
2 PLACES ± 0.25				INITIAL REVISION:				DOCUMENT NUMBER	
1 PLACE ± 0.35				DRWN: GGUNAGI 2019/07/03				2070190000-SD	
0 PLACES ±				APPR: NCSR 2019/09/18				PSD 000 B	
DRAFT WHERE APPLICABLE MUST REMAIN WITHIN DIMENSIONS		THIRD ANGLE PROJECTION		DRAWING		SERIES		MATERIAL NUMBER	
				C-SIZE		207019		SEE TABLE	
				CUSTOMER		SHEET NUMBER			
				GENERAL MARKET		2 OF 2			

DOCUMENT STATUS	P1	RELEASE DATE	2020/01/09	19:00:10
-----------------	----	--------------	------------	----------