



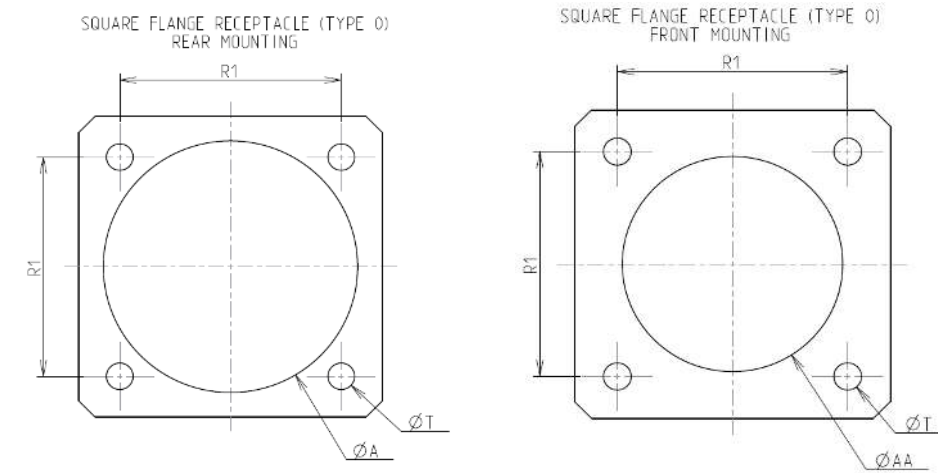
Contact Layout



| Contacts<br>(Insert arrangement 11-2) |                  |               |
|---------------------------------------|------------------|---------------|
| Contact position ID                   | Contact location |               |
|                                       | X-axis (mm)      | Y-axis (mm)   |
| A                                     | +0.095 (2.41)    | +0.000 (0.00) |
| B                                     | -0.095 (2.41)    | +0.000 (0.00) |

| Shell size | Arrangement no. | Number of contacts | Size contacts | Service rating | Contact location |
|------------|-----------------|--------------------|---------------|----------------|------------------|
| 11         | -2              | 2                  | 16            | 1              | All              |

Panel Cutout



| Dim | Nominal    |
|-----|------------|
| ØA  | 20.22 min  |
| ØAA | 15.88 min  |
| R1  | 20.62      |
| ØT  | 3.25 ±0.13 |

SOURIAU shall not be liable for any non-conformity or damage due to a use of the Products which does not comply with the Specifications issued by either of the Parties or by a third party (professional recommendation, technical notice.)

| Country | Jurisdiction & Control List |
|---------|-----------------------------|
| FR      | Not Listed                  |

PN: 8D011M02AE

|                |                                       |                            |   |
|----------------|---------------------------------------|----------------------------|---|
| A              | 07-10-2016                            | First Release              |   |
| ISS            | DATE                                  | Latest modification - by   | MOD N°  |
| Designed By:   |                                       | Date:                      | <b>CUSTOMER DRAWING</b>   |
| <b>TITLE</b>   | <b>Composite Receptacle 8D series</b> |                            |   |
| SCALE          |                                       | General linear Tolerances: | NPRDS / PROJECT   |
| NA             |                                       | ±--                        | <b>859</b>  |
| <b>SOURIAU</b> | <b>WWW.SOURIAU.COM</b>                |                            | This document is the property of SOURIAU it must not be reproduced or communicated without permission |
| FORMAT         | <b>SOURIAU DRG N° 8D011M02AE-C</b>    |                            | SHEET 2/2   |