

SPECIFICATIONS:

Insulation Resistance: 500MΩ min. at 250V DC
 Voltage Rating: 50V AC
 Current Rating:
 ➤ Signal Pins – 0.3A MAX
 ➤ Power Pins – 5.0A MAX
 Contact Resistance:
 ➤ Signal Pins – 50mΩ max. at 20mV max.
 ➤ Power Pins – 20mΩ max. at 20mV max.
 Operating Temp.: - 40°C ~ +105°C
 Mating Cycle: 100 times

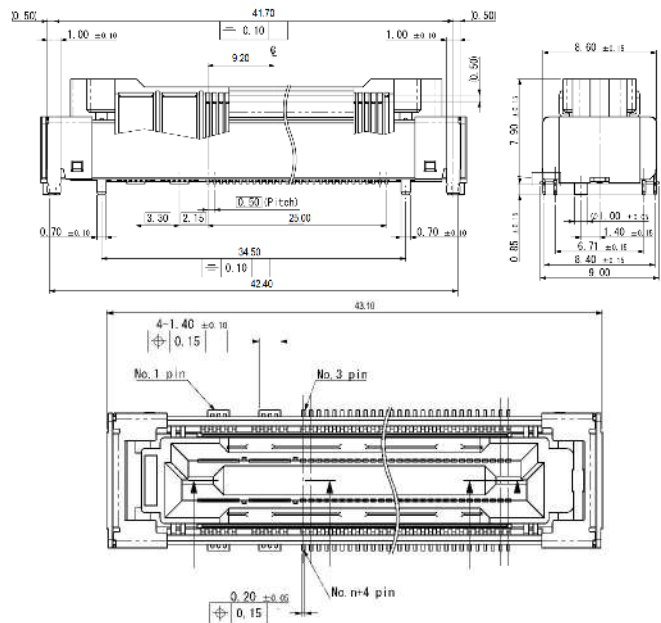
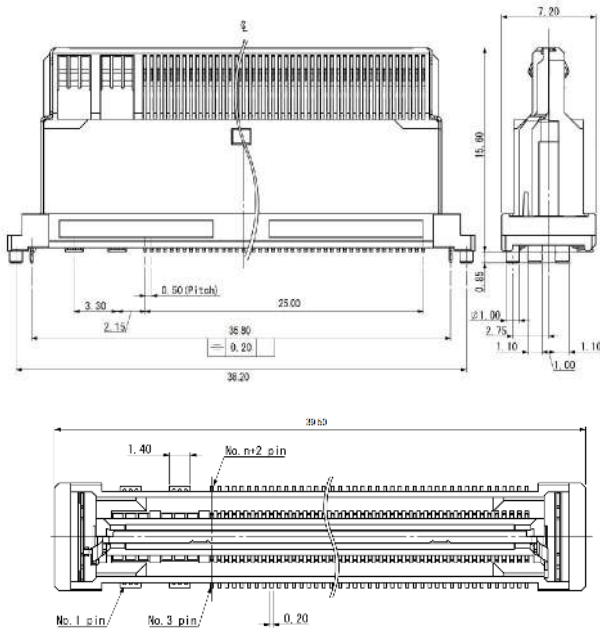
MATERIALS AND FINISH:

- Contacts: Cu Alloy
- Insulator: LCP
- ESD Tabs: Stainless Steel

FEATURES:

- Floating contact structure accommodates mating position tolerance and offers secured connection under severe operating environment
- Support transmission speed up to 8 Gbps and SATA Gen3.0 signals
- Signal + Power hybrid contact design
- Power pin rated current = 5.0A MAX

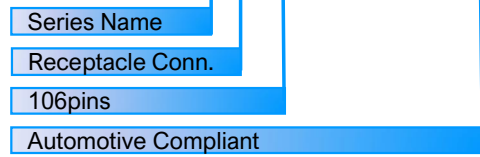
OUTLINE DIMENSIONS (mm):



HF301S-106-1800-4012-VE (LEFT) & HF301P-106-4211-VE(RIGHT)

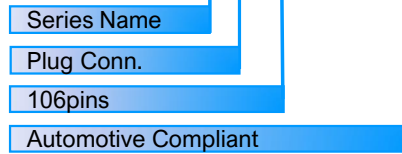
RECEPTACLE PART NUMBER:

HF301S-106-1800-4011-VE



PLUG PART NUMBER:

HF301P-106-4211-VE



AUTOMOTIVE COMPLIANT

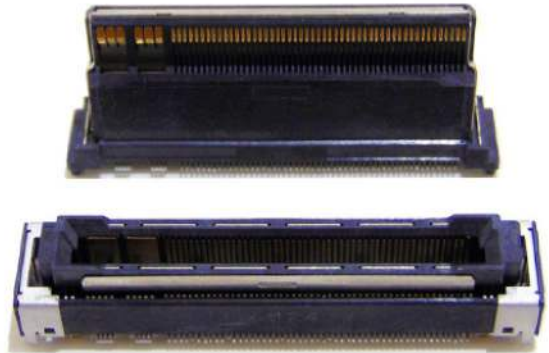


YAMAICHI ELECTRONICS

Automotive Grade Floating B-to-B Connectors

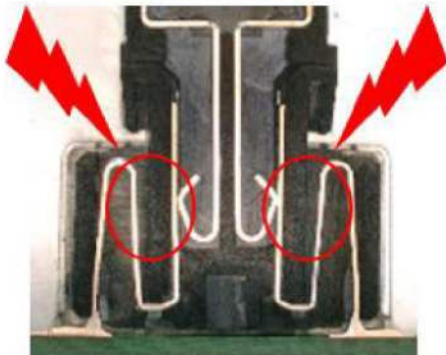
Product Features:

- “Floating” structure accommodates mating position tolerance to provide secured connection
- Transmission Speed: Up to 8Gbps
- Supports S-ATA Gen 3.0 signal speed
- Signal + Power Contacts hybrid design
- Power contact rated current = 5.0A



HF301 High Product Feature Highlights

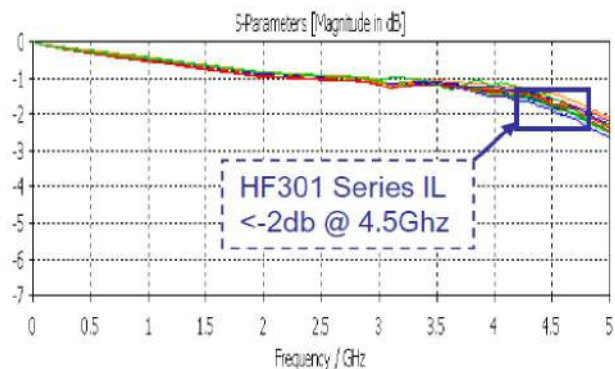
“Floating” Connection Via Spring Contact Design



Movable floating connector structure absorbs external force and allows mating position tolerance to maintain reliable connection

Signal Performance Supports S-ATA Gen 3.0

S-ATA Gen 3.0 IL Target:
<-6db @ 4.5Ghz



Part Number	Total Pin Count	Product Type
HF301P-106-4211-VE	106	Plug
HF301S-106-1800-4011-VE	106	Receptacle