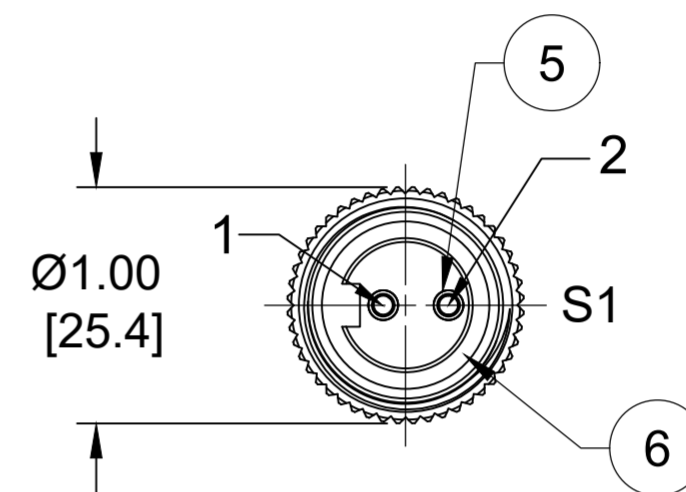
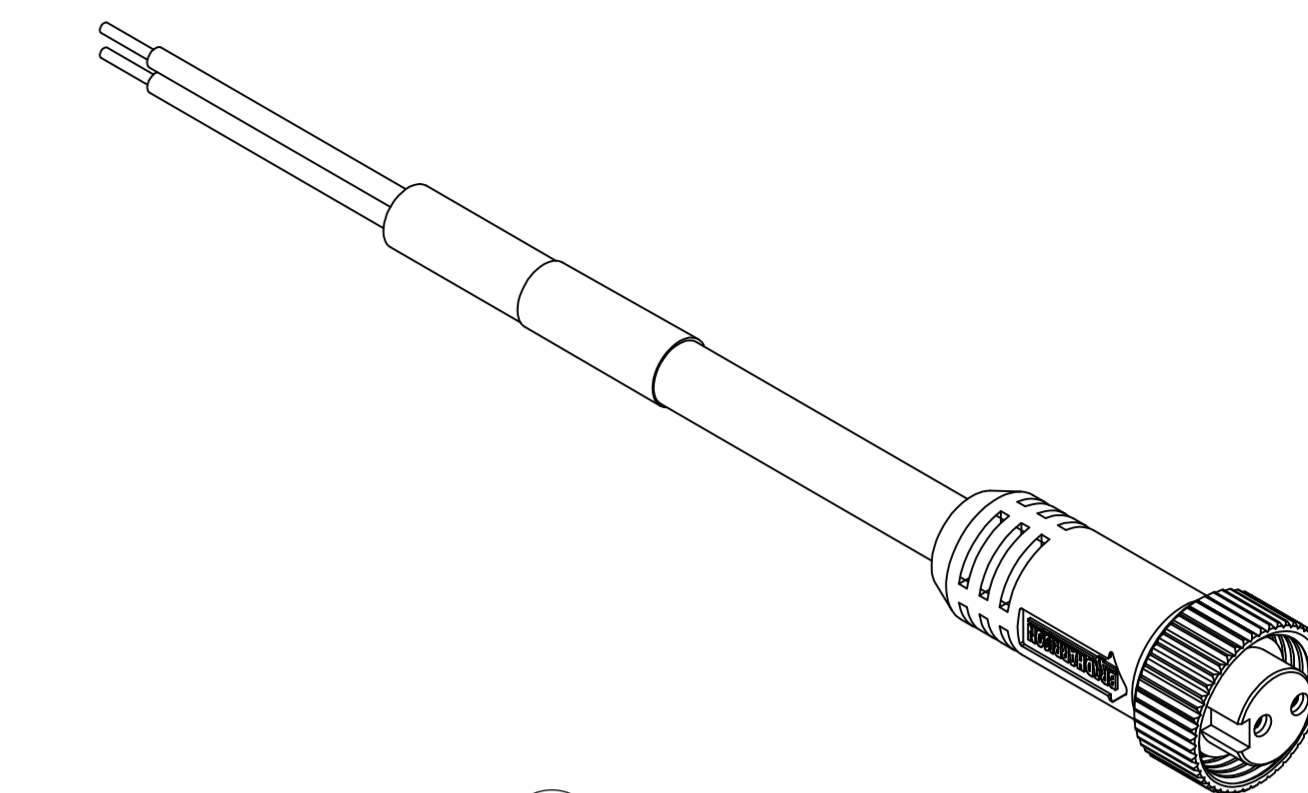
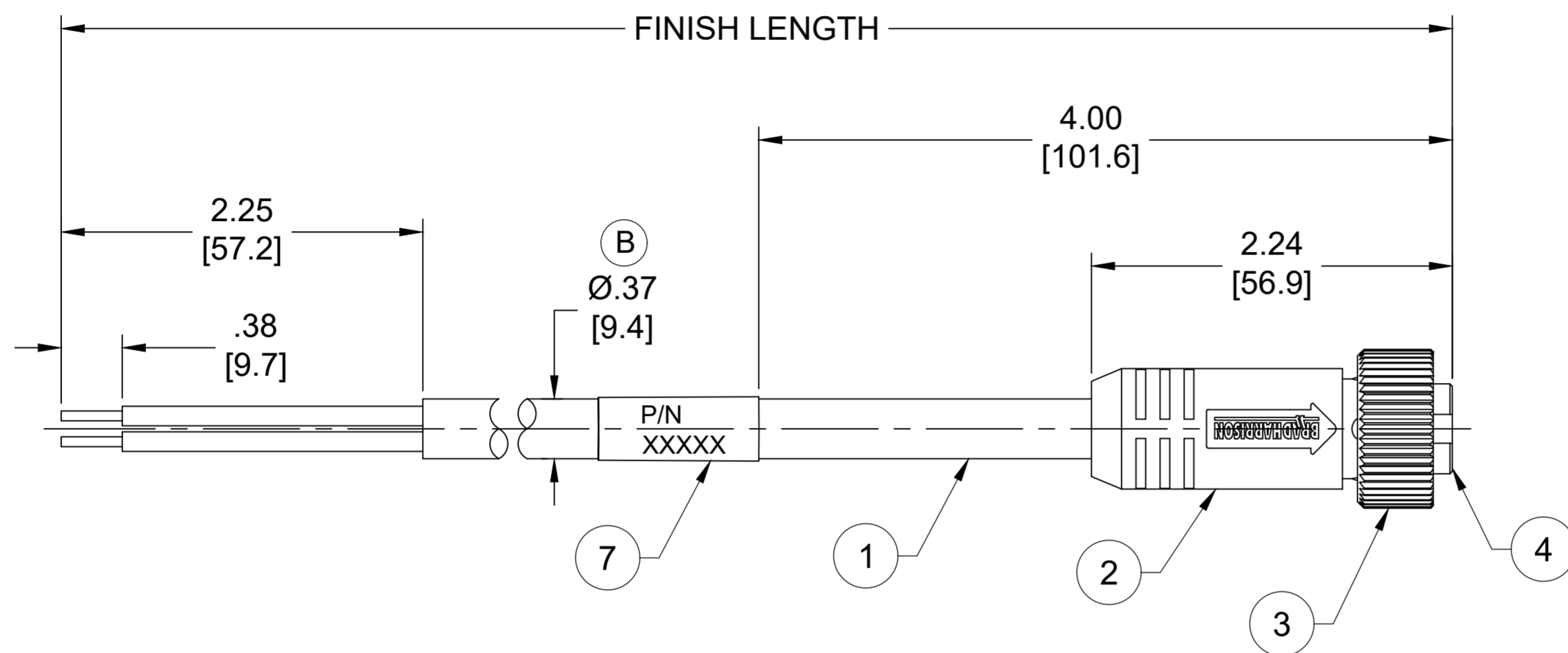


PART NO.	ENGINEERING NO.	FINISHED LENGTH
1300060088	102000A01F030	3FT [0.9M]
1300060105	102000A01F250	25FT [7.6M]
1300060112	102000A01F500	50FT [15.2M]



FEMALE FACE VIEW

NOTES:

- MATERIAL: AS NOTED
- FINISH: AS NOTED
- ELECTRICAL:  
VOLTAGE : 600V PER UL2238  
500V PER IEC60664  
CURRENT: 13A
- TEMP RATING: -20° TO +105°C
- PROTECTION: IP67 (WHEN MATED)
- COUPLING THREAD: 7/8"-16UN
- UL RECOGNIZED FILE: E152210  
CSA CERTIFIED FILE: LR6837
- ALL DIMENSIONS ARE FOR REFERENCE UNLESS TOLERANCED OR NOTED OTHERWISE

	S1
WHITE	1
BLACK	2

WIRING DIAGRAM

PART NUMBER LEGEND

102000A01F030

CABLE LENGTH  
F010 = 1 FEET  
F010 = 10 FEET  
F100 = 100 FEET

CABLE LENGTH TOLERANCES
<.3M [1FT]: +19mm-0 [ +.75in-0]
.3 - .9M [1 - 3FT]: +44.5mm-0 [+1.75in-0]
.9 - 1.8M [3 - 6FT]: +55.6mm-0 [+2.19in-0]
1.8 - 3.7M [6 - 12FT]: +88.9mm-0 [+3.50in-0]
3.7 - 7.3M [12 - 24FT]: +165.1mm-0 [+6.50in-0]
7.3-14.6M [24 - 48FT]: +317.5mm-0 [+12.50in-0]
14.6 - 30.5M [48-100FT]: +622.3mm-0 [+24.50in-0]
OVER 30M [100FT] +2% OF FINISHED LENGTH

ITEM	COMPONENT	MATERIAL	FINISH
7	WRAP LABEL	VINYL	BLACK/YELLOW
6	FRICION RING	NYLON	WHITE
5	CONTACT SOCKET	COPPER ALLOY	GOLD OVER NICKEL
4	INSERT	TPE	YELLOW
3	COUPLING NUT	ZINC DIE CAST	BLACK-E-COAT
2	OVERMOLD	TPE	YELLOW
1	CABLE, 16 AWG, STOOV/ST	PVC	YELLOW

FUNCTIONAL SYMBOLS FA=0 FC=0 FP=0	THIS DRAWING CONTAINS INFORMATION THAT IS PROPRIETARY TO MOLEX ELECTRONIC TECHNOLOGIES, LLC AND SHOULD NOT BE USED WITHOUT WRITTEN PERMISSION		CURRENT REV DESC: ITEM# 2 & 4 WERE PVC. ITEM #7 WAS PLASTIC FILM. ADDED FRICTION RING, IEC VOLTAGE, PN LEGEND, CABLE DIA & TOL CHART. MODIFIED PN CHART	
	DIMENSION UNITS INCH/MM	SCALE NTS	EC NO: 702709	
GENERAL TOLERANCES (UNLESS SPECIFIED)		DRWN: ABENJAMINLW 2021/05/11		
mm INCH		CHK'D: RSTONE 2022/04/11		
4 PLACES ±--- ±---		APPR: BWOODMAN 2022/04/16		
3 PLACES ±--- ±---		INITIAL REVISION:		
2 PLACES ±--- ±---		DRWN: TWOLDEGE 2009/07/09		
1 PLACE ±--- ±---		APPR: JFMURPHY 2009/08/10		
0 PLACES ±--- ±---		ANGULAR TOL ± --- °		
DRAFT WHERE APPLICABLE MUST REMAIN WITHIN DIMENSIONS		THIRD ANGLE PROJECTION	DRAWING C-SIZE	SERIES 130006
		DOCUMENT NUMBER SD-130006-007		DOC TYPE/DOC PART REVISION PSD 001 B
		MATERIAL NUMBER SEE CHART		CUSTOMER GENERAL MARKET
				SHEET NUMBER 1 OF 1