



Certifications & Ratings

- RoHS compliant

Application

The 608 Series LED Panel Mount Indicators are designed for a variety of applications such as.

- Main power indication
 - Remote power indication
 - Status indication
 - Maintenance and warning indication
 - Instrumentation
- ... and many more!

Dimensions

inches [mm]

Figure 1

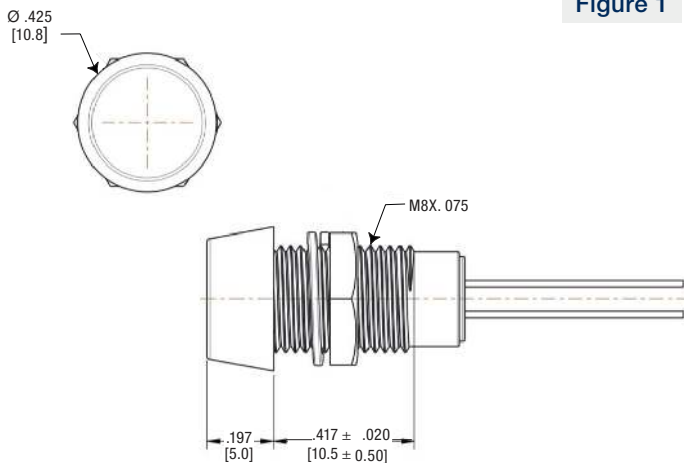
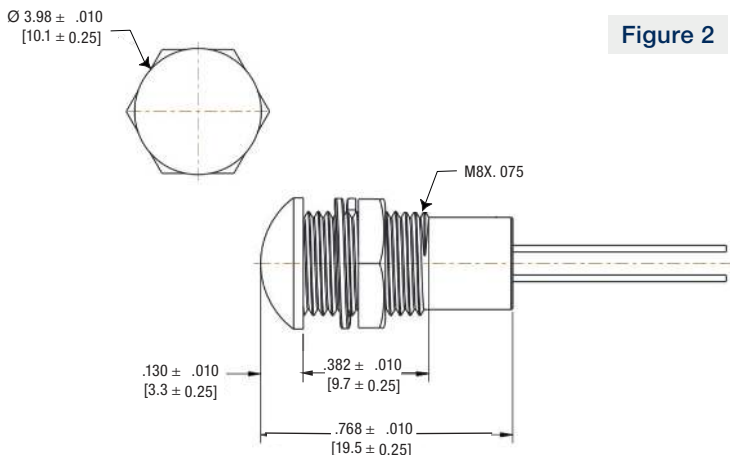


Figure 2



Mechanical Information

Mounting Hole Size: 0.323" (8.2 mm) (Fig. 1 & 2),

Max Panel Thickness: See part numbers

Mounting Torque: 0.217 lbs/ft or 3 kg/cm

Specifications

Voltage Options: 2 VDC (resistor required)

Operating Temp: -25 °C to +85 °C (-13 °F to +185 °F)

Storage Temp: -25 °C to +85 °C (-13 °F to +185 °F)

Electrical Connection: Straight terminals (Fig. 1 & 2),

Housing: Polycarbonate

Lock Washer: Iron — Nickel Plated

Nut: Brass — Nickel Plated

These indicators are un-polarized

Ordering Information 608 Series

Part Number	Color	Voltage (V DC)	Current (mA)	Typical Intensity (mcd)	Lens Shape	Figure	Panel Thickness
-------------	-------	----------------	--------------	-------------------------	------------	--------	-----------------

Lock Washer & Nut

608-1131-110F	● Red	2	15	25	Domed	1	0.236" (6 mm)
608-1231-110F	● Green			30			
608-1331-110F	● Yellow			15			
608-3131-110F	● Red			25	Flat	2	
608-3231-110F	● Green			30			
608-3331-110F	● Yellow			15			

Dialight reserves the right to make changes at any time in order to supply the best product possible. The most current version of this document will always be available at: www.dialightsignalsandcomponents.com

Warranty Statement: Except for the warranty expressly provided for at: www.dialight.com/resources/warranties/, Dialight disclaims any and all other warranties, express or implied, including, without limitation, any warranties of merchantability, fitness for a particular purpose, title, and noninfringement.