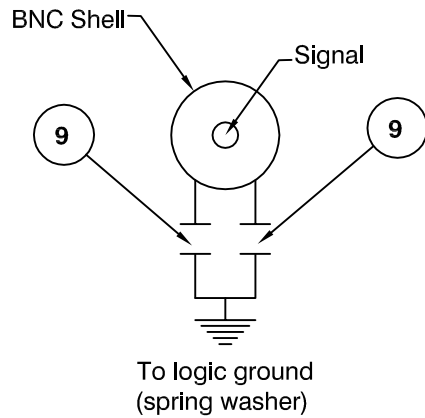
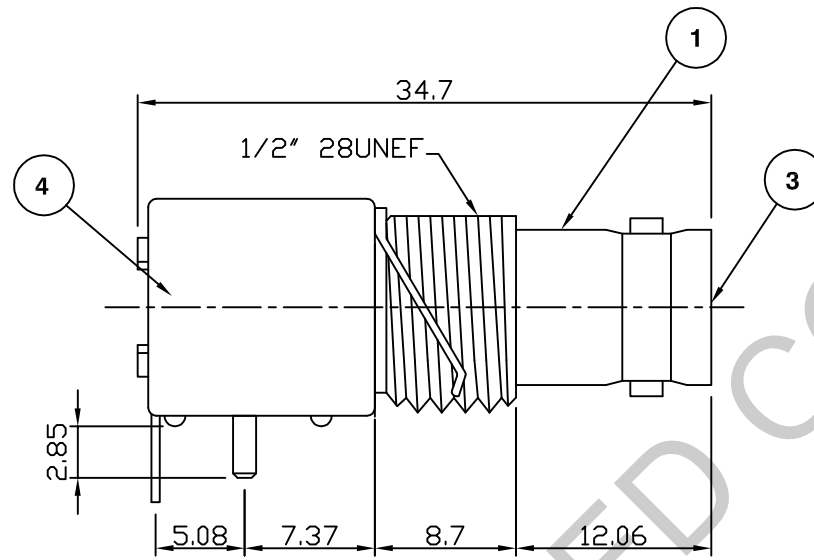
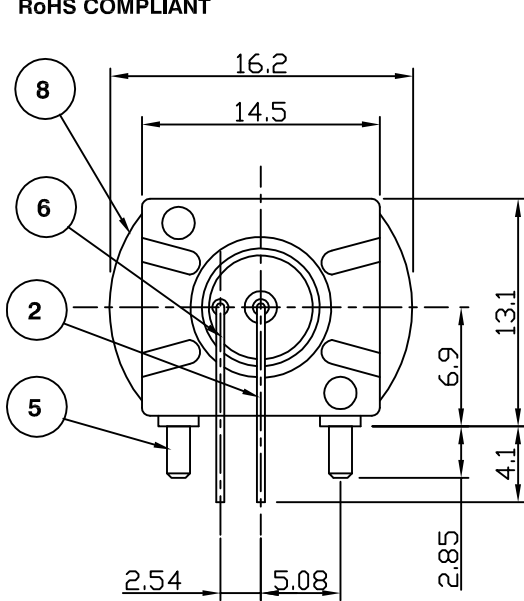
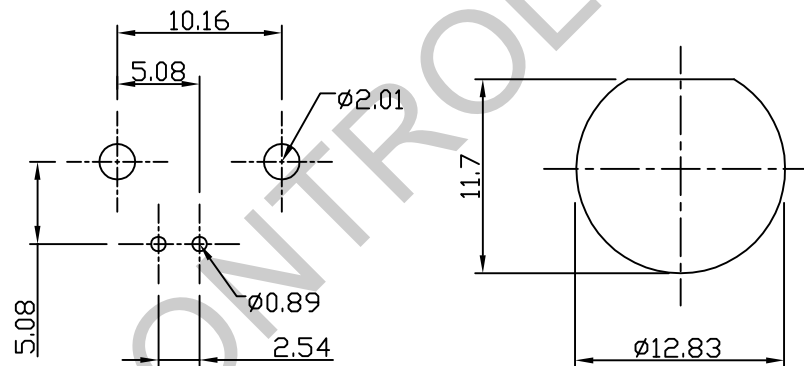


RoHS COMPLIANT



Capacitor Circuit Diagram



Recommended PCB Layout

Panel Cutout

**Electrical Characteristics**

Nominal Impedance:	75 ohms
Frequency Range:	DC to 1 GHz
Operating Voltage (rms):	500 V maximum at sea level
Dielectric Withstand Voltage (rms):	500 V maximum at sea level
Contact Resistance:	3.0 milliohms maximum
Insulation Resistance:	5000 megohms minimum

**Mechanical Characteristics**

Mating Cycles:	500 cycles minimum
Interface Dimensions:	Conform to MIL-C-39012

**Environmental Characteristics**

Temperature Range:	-65 °C to +165 °C
--------------------	-------------------

PART	DESCRIPTION
1	Body Nickel Plating over Zinc Alloy
2	Centre Contact Phosphor Bronze with Gold Plating at contact area, Tin Plating at tail.
3	Inner Insulator Polypropylene UL 94HB
4	Housing PBT +30% Glass Fibre (UL:94V-0)
5	Mounting Post Tin Plating over Brass
6	Grounding Terminal Tin Plating over Copper Wire
7	Rivet Nickel Plating over Brass
8	Spring Washer Nickel Plating over Phosphor Bronze
9	Ceramic Chip Capacitor 4700pF ±10%

Updated for RoHS compliance	JW	3	04 Apr 06
CAD Issue	SN	2	04 Feb 02
First Issue	AT	1	24 Nov 95
DESCRIPTION OF REVISION	APPVD	ISS	DATE



Cinch Connectivity Solutions  
7-13 Russel Way,  
Widford Industrial Estate,  
Chelmsford, Essex,  
CM1 3AA, UK.  
Tel: +44 (0) 1245 359515  
Fax: +44 (0) 1245 358938

SCALE: Not To Scale

DIMENSIONS: mm

TOLERANCES:  
± 0.2mm unless  
otherwise stated

DRAWN BY:

J Williams

CHECKED BY:

M Terry

APPROVED BY:

A Tusi

DATE:

04 Apr 06

TITLE:

Low Profile BNC Right Angle  
PCB Mount Filter Jack

PART NUMBER:

**VBF211-75**

PAGE: 1 of 1