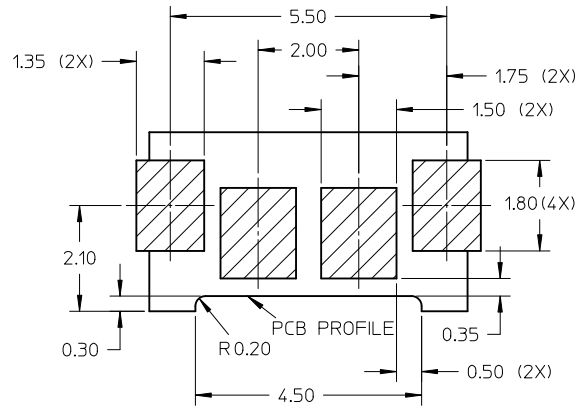
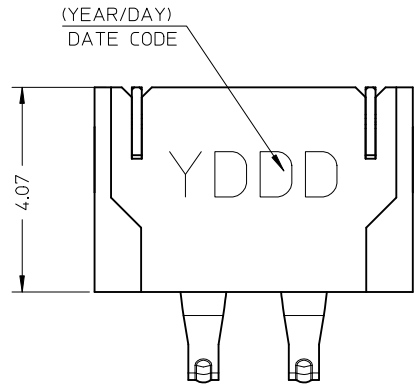


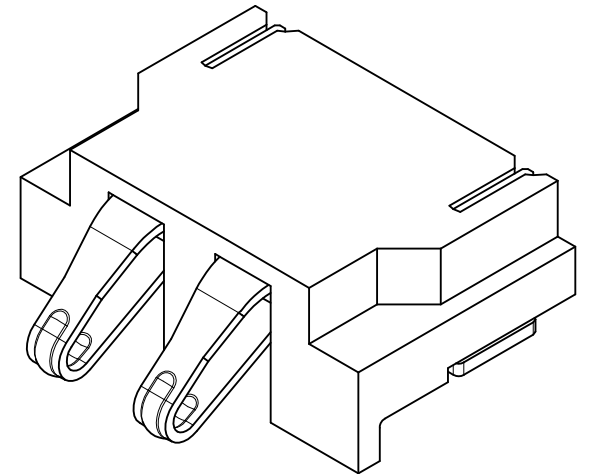
10 9 8 7 6 5 4 3 2 1

F

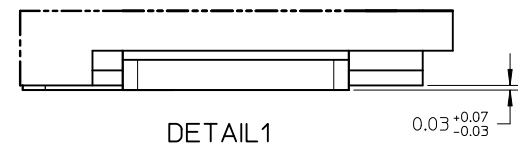
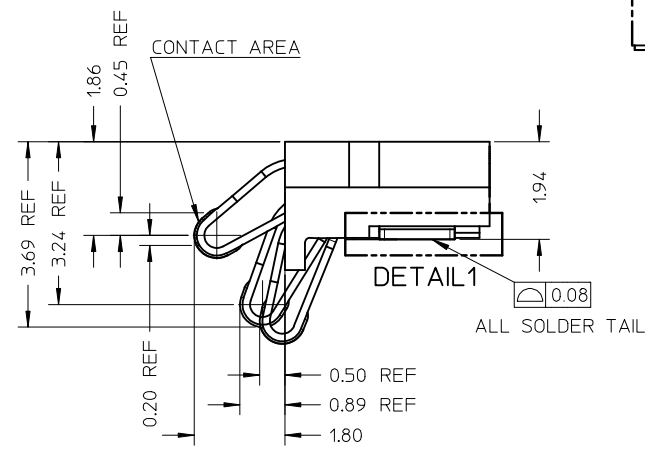
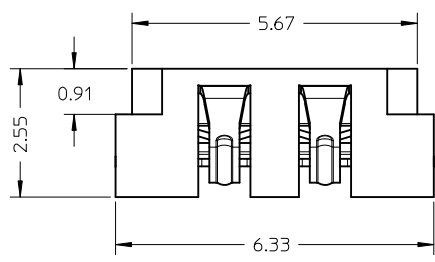
E



RECOMENDED PCB LAYOUT  
DEFAULT TOLERANCE +/-0.05

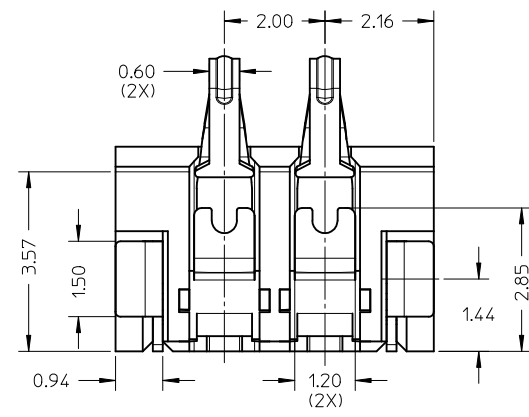


D



DETAIL1  
SCALE:30:1

C



NOTES:

- 1, MATERIALS:  
 TERMINAL: BERYLLIUM COPPER C17200  
 HOUSING: HIGH TEMPERATURE THERMAL PLASTIC  
 FITTING NAIL: BRASS C2680
- 2, FINISH:  
 TERMINAL: 50-150u" NICKEL UNDER PLATED  
 30u" MIN GOLD PLATING ON CONTACT AREA  
 3u" MIN GOLD FLASH ON SOLDERING AREA  
 FITTING NAIL: 100u" MIN TIN ALLOY OVER 50u" NICKEL OVERALL
- 3, PRODUCT SPECIFICATION: PS-47480-001
- 4, PACKAGE INFORMATION: PK-47480-401
- 5, DATE CODE RULE: Y IS THE LAST DIGITAL OF YEAR, DDD IS DAYS COUNT FROM THE YEAR.

A

NEW RELEASE EC NO: S2017-0168 DRWN: CTCHO CHKD: LING APPR: SHONG 2010/08/31 2010/09/01 2010/12/21	QUALITY SYMBOLS $F_A=0$ $F_G=0$ $F_P=0$	GENERAL TOLERANCES (UNLESS SPECIFIED)		DIMENSION STYLE	SCALE	DESIGN UNITS	THIRD ANGLE PROJECTION		
				MM ONLY	10:1	METRIC			
				mm	INCH	DRAWN BY	DATE	TITLE	
				4 PLACES ± --- ± ---	ZYYAN	2010/04/23	2 PIN BATTERY CONNECTOR 2.0MM PITCH SALES DRAWING		
		3 PLACES ± --- ± ---	CHECKED BY	DATE	MOLEX INCORPORATED				
		2 PLACES ± 0.13 ± ---	WFDENG	2010/04/23					
		1 PLACE ± --- ± ---	APPROVED BY	DATE	DOCUMENT NO. SD-47480-401				
		ANGULAR ± 2 °	NAGESHKN	2010/08/25					
		DRAFT WHERE APPLICABLE MUST REMAIN WITHIN DIMENSIONS	MATERIAL NO.	474804001		SHEET NO. 1 OF 1			
			SIZE	THIS DRAWING CONTAINS INFORMATION THAT IS PROPRIETARY TO MOLEX INCORPORATED AND SHOULD NOT BE USED WITHOUT WRITTEN PERMISSION					

9 8 7 6 5 4 3 2 1