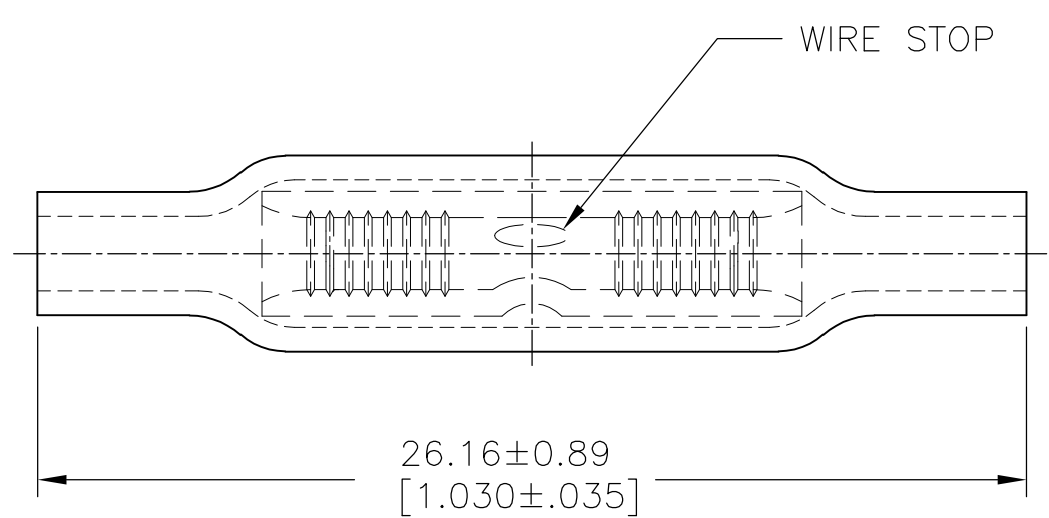
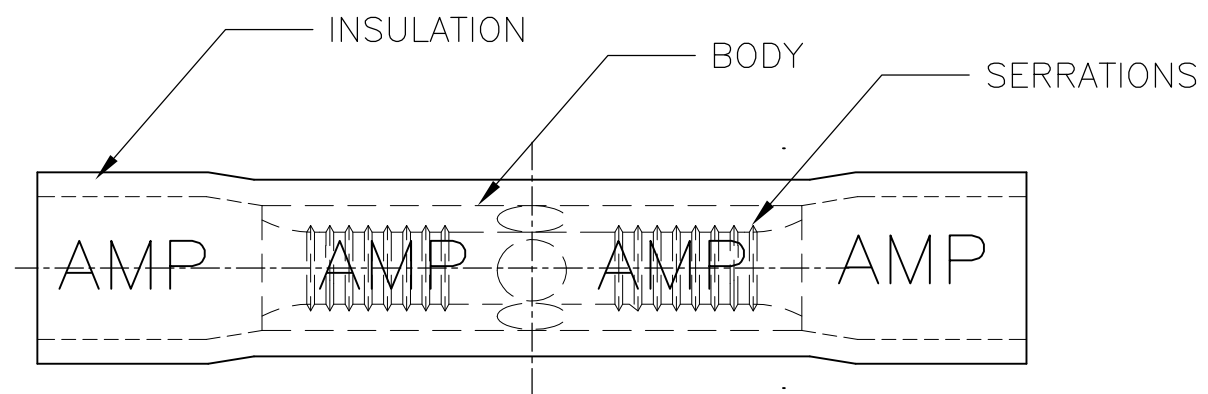


THIS DRAWING IS UNPUBLISHED. RELEASED FOR PUBLICATION
 © COPYRIGHT - By - ALL RIGHTS RESERVED.

LOC	DIST	REVISIONS			
P	LTR	DESCRIPTION	DATE	DWN	APVD
G	-	F2	REDRAW PER ECO-11-020548	02FEB12	KH DR

1 FOR 4.34[.171] TO 2.11[.083] MAX OVALED WIRE INSULATION DIA



OBSOLETE	100	LOOSE PC,BOX	BODY: COPPER PER ASTM B152 TIN PLATE PER ASTM B545	8-34203-1
	1000	LOOSE PIECE	INSULATION: PVC COLOR: RED	34203
	QTY	PACKAGE TYPE	MATERIAL & FINISH	PART NO

THIS DRAWING IS A CONTROLLED DOCUMENT.		DWN KIRAN HOLAL 02FEB12	STE TE Connectivity	
DIMENSIONS: mm [INCHES]		CHK ROHDE DANIEL 02FEB12		
TOLERANCES UNLESS OTHERWISE SPECIFIED:		APVD ROHDE DANIEL 02FEB12	NAME	
0 PLC ± -		PRODUCT SPEC	-	
1 PLC ± -		APPLICATION SPEC	WIRE SPLICE PLASTI-GRIP-BUTT-OVALED	
2 PLC ± -			WIRE SIZE: 22-16	
3 PLC ± 0.20[.008]			SIZE	CAGE CODE
4 PLC ± -			A3	00779
ANGLES ± 5°		WEIGHT	DRAWING NO	RESTRICTED TO
MATERIAL			C-34203	-
FINISH			CUSTOMER DRAWING	SCALE 5:1
			SHEET 1 OF 1	REV F2