

MATERIALS AND FINISHES

PART NO.73413-0050

BODY BRASS
PLATED GOLD

CENTER CONTACT BERYLLIUM COPPER
PLATED GOLD

INSULATOR TEFLON

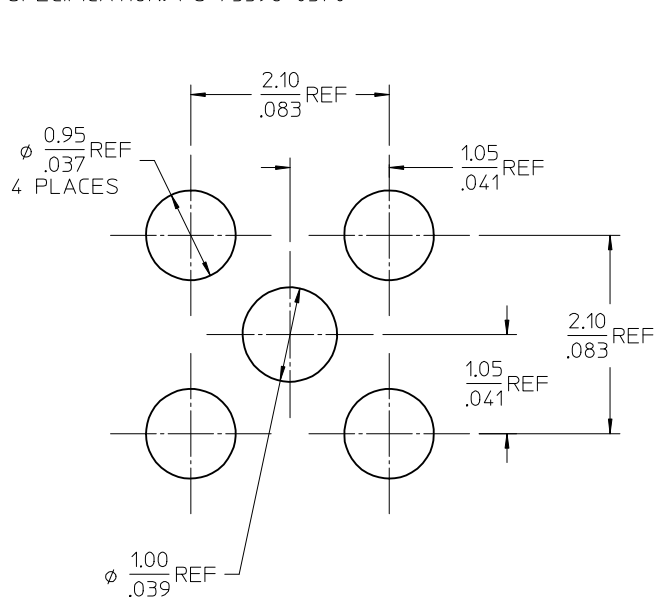
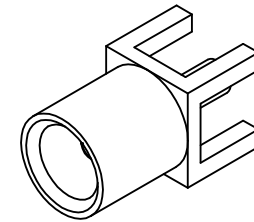
SPECIFICATION: PS-73598-0370

PART NO.73413-0051

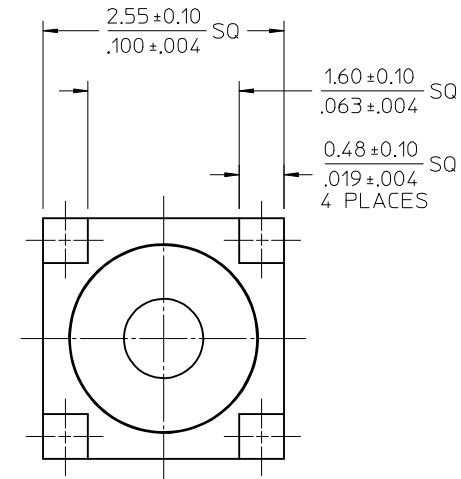
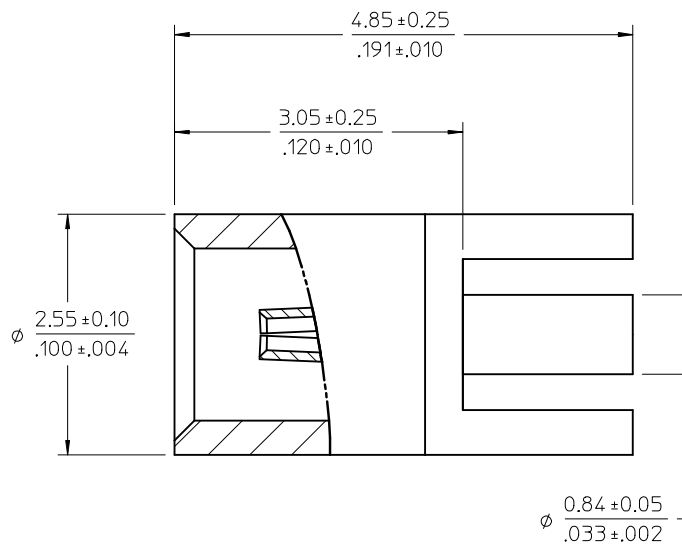
BODY BERYLLIUM COPPER
PLATED TRI-METAL

CENTER CONTACT BERYLLIUM COPPER
PLATED GOLD

INSULATOR TEFLON



RECOMMENDED PCB HOLES



73413-0051	NON-MAGNETIC TYPE
73413-0050	GENERAL TYPE
PART NUMBER	DESCRIPTION

73413-0052	73413-0050, ONE PER BAG
73413-0051	BULK
73413-0050	BULK
PART NO.	PACKAGING

CHG: UPDATED DEPICTION OF BODY AND CONTACT 4.85±0.25 WAS 4.92±0.25, 3.05±0.25 WAS 3.12±0.25 ADDED -0052

EC NO: URF2007-0301
 DRWNG:SSHAH 2007/01/29
 CHKD:FLAHERY 2007/01/29
 APPR:WIENER 2007/01/29

QUALITY SYMBOLS
 ▼=0
 ▽=0

DESCRIPTION
 A4

GENERAL TOLERANCES (UNLESS SPECIFIED)

	mm	INCH
4 PLACES	± .005	± .0002
3 PLACES	± .003	± .0001
2 PLACES	± .002	± .00008
1 PLACE	± .001	± .00004

ANGULAR ± 2°

DRAFT WHERE APPLICABLE MUST REMAIN WITHIN DIMENSIONS

DIMENSION STYLE MM/IN

DRAWN BY JOHN DATE 2005/03/24

CHECKED BY PENNY DATE 2005/03/24

APPROVED BY MISEN DATE 2005/03/24

MATERIAL NO. SEE TABLE

SCALE METRIC

DESIGN UNITS METRIC

THIRD ANGLE PROJECTION

TITLE SSMCX, 50 OHM VERTICAL JACK PCB TYPE SSMCX-J/PCB

MOLEX INCORPORATED

DOCUMENT NO. SD-73413-005

SHEET NO. 1 OF 1

THIS DRAWING CONTAINS INFORMATION THAT IS PROPRIETARY TO MOLEX INCORPORATED AND SHOULD NOT BE USED WITHOUT WRITTEN PERMISSION

MATERIALS AND FINISHES

PART NO.73413-0050

BODY BRASS
PLATED GOLD

CENTER CONTACT BERYLLIUM COPPER
PLATED GOLD

INSULATOR TEFLON

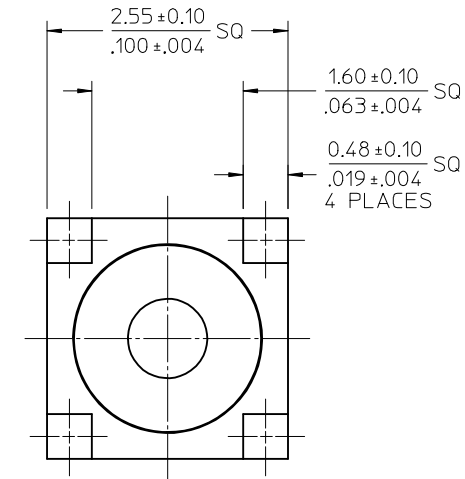
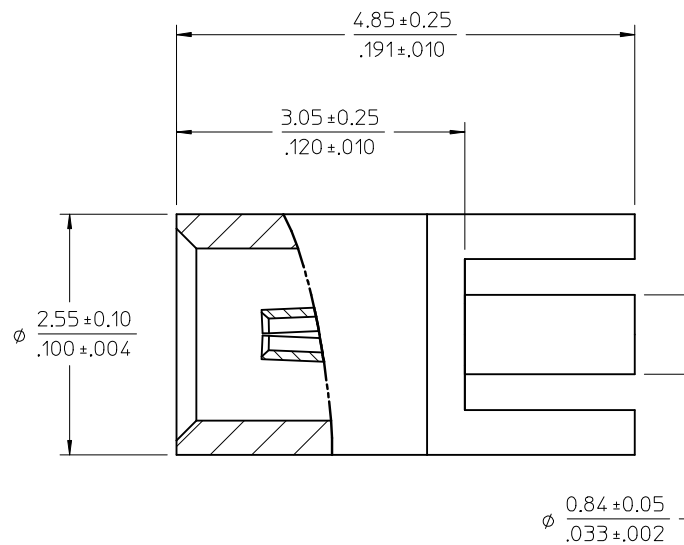
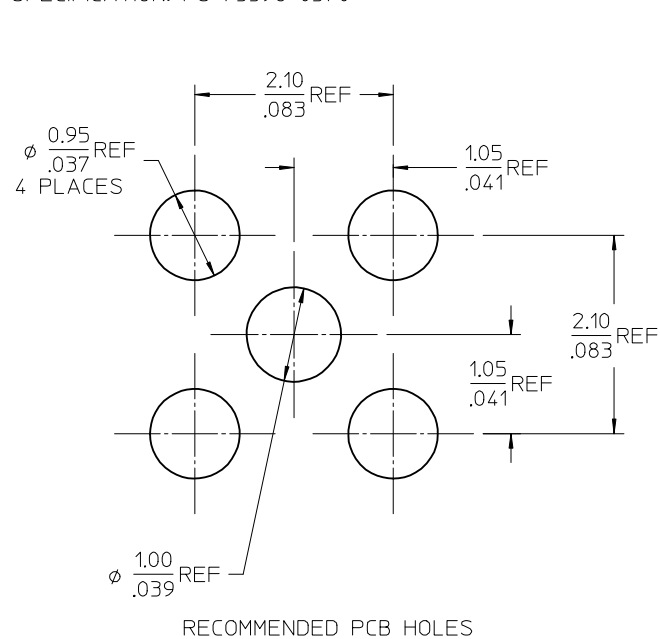
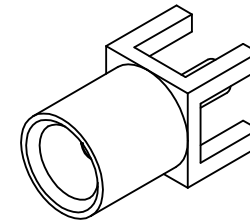
SPECIFICATION: PS-73598-0370

PART NO.73413-0051

BODY BERYLLIUM COPPER
PLATED TRI-METAL

CENTER CONTACT BERYLLIUM COPPER
PLATED GOLD

INSULATOR TEFLON



73413-0051	NON-MAGNETIC TYPE
73413-0050	GENERAL TYPE
PART NUMBER	DESCRIPTION

73413-0052	73413-0050, ONE PER BAG
73413-0051	BULK
73413-0050	BULK
PART NO.	PACKAGING

CHG: UPDATED DEPICTION OF BODY AND CONTACT AND CONTACT 4.85±0.25 WAS 4.92±0.25, 3.05±0.25 WAS 3.12±0.25 ADDED -0052

EC NO: URF2007-0301
 DRWNS:SHAH 2007/01/29
 CHKD:FLAHERY 2007/01/29
 APPR:WIENER 2007/01/29

QUALITY SYMBOLS
 ▼=0
 ▽=0

DESCRIPTION
 A4

GENERAL TOLERANCES (UNLESS SPECIFIED)

	mm	INCH
4 PLACES	± .005	± .0002
3 PLACES	± .003	± .0001
2 PLACES	± .002	± .00008
1 PLACE	± .001	± .00004

ANGULAR ± 2°

DRAFT WHERE APPLICABLE MUST REMAIN WITHIN DIMENSIONS

DIMENSION STYLE
MM/IN

DRAWN BY JOHN DATE 2005/03/24
 CHECKED BY PENNY DATE 2005/03/24
 APPROVED BY MISEN DATE 2005/03/24

MATERIAL NO. SEE TABLE

SCALE METRIC

DESIGN UNITS METRIC

THIRD ANGLE PROJECTION

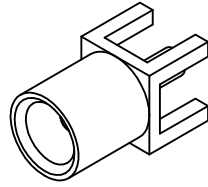
TITLE
SSMCX, 50 OHM
VERTICAL JACK PCB TYPE
SSMCX-J/PCB

MOLEX INCORPORATED

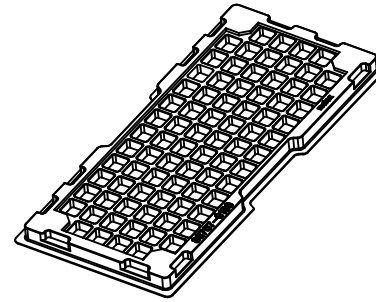
DOCUMENT NO. SD-73413-005

SHEET NO. 1 OF 1

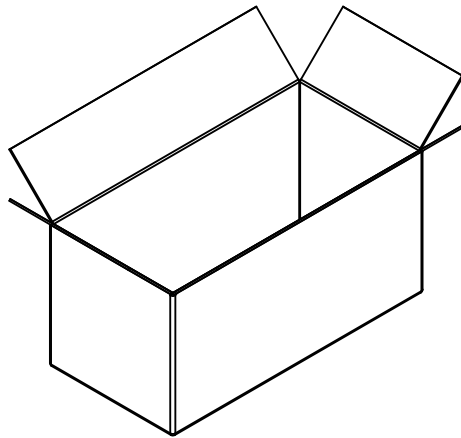
THIS DRAWING CONTAINS INFORMATION THAT IS PROPRIETARY TO MOLEX INCORPORATED AND SHOULD NOT BE USED WITHOUT WRITTEN PERMISSION



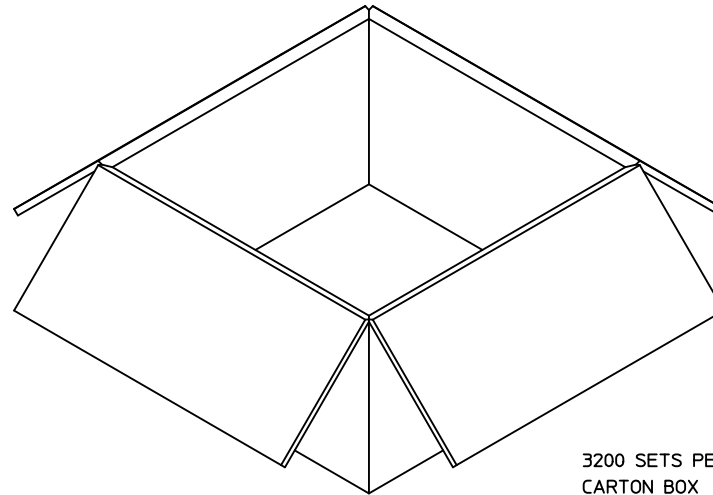
PART NO. 73413-0050



80 SETS PERE TRAY
TRAY P/N 89707-0190
360*165*18.6 MM

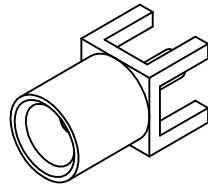


1600 SETS PER INNER
CARTON BOX
P/N 96707-0001
367*173*188 MM

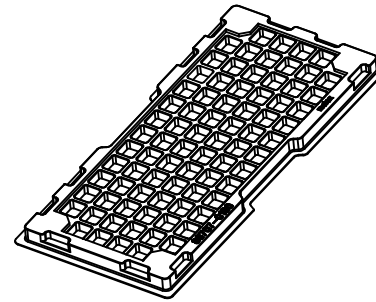


3200 SETS PER OUTER
CARTON BOX
P/N 96708-0005
385*367*206 MM

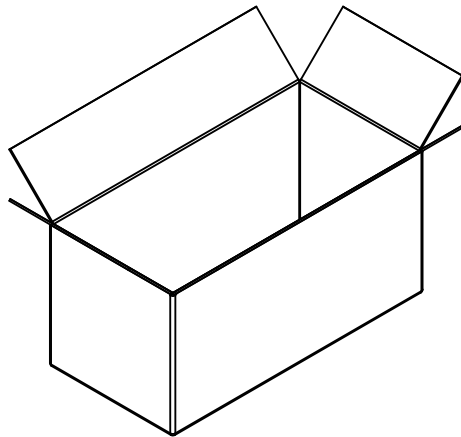
CHG NEW RELEASE CUSTOMER REQUEST ECR NO: 201205077	DRAWN: CHENG 2012/05/08 CHKD: APPR: MHUANG 2012/05/11	DESCRIPTION REV: A	QUALITY SYMBOLS = 0 = 0 = 0	GENERAL TOLERANCES (UNLESS SPECIFIED) <table border="1"> <thead> <tr> <th></th> <th>mm</th> <th>INCH</th> </tr> </thead> <tbody> <tr> <td>4 PLACES</td> <td>± ---</td> <td>± ---</td> </tr> <tr> <td>3 PLACES</td> <td>± ---</td> <td>± ---</td> </tr> <tr> <td>2 PLACES</td> <td>± ---</td> <td>± ---</td> </tr> <tr> <td>1 PLACE</td> <td>± ---</td> <td>± ---</td> </tr> <tr> <td>0 PLACE</td> <td>± ---</td> <td>± ---</td> </tr> </tbody> </table>		mm	INCH	4 PLACES	± ---	± ---	3 PLACES	± ---	± ---	2 PLACES	± ---	± ---	1 PLACE	± ---	± ---	0 PLACE	± ---	± ---	DIMENSION STYLE MM/IN DRAWN BY: YCHENG DATE: 2012/05/08 CHECKED BY: _____ DATE: _____ APPROVED BY: MHUANG DATE: 2012/05/11 MATERIAL NO.: _____	SCALE: _____ DESIGN UNITS: METRIC TITLE: PACKING FOR 73413-0050 THIRD ANGLE PROJECTION	DOCUMENT NO.: SD-73413-005PKG SHEET NO.: 1 OF 1
		mm	INCH																						
	4 PLACES	± ---	± ---																						
	3 PLACES	± ---	± ---																						
2 PLACES	± ---	± ---																							
1 PLACE	± ---	± ---																							
0 PLACE	± ---	± ---																							
DRAFT WHERE APPLICABLE MUST REMAIN WITHIN DIMENSIONS				ANGULAR ± 2 °	THIS DRAWING CONTAINS INFORMATION THAT IS PROPRIETARY TO MOLEX INCORPORATED AND SHOULD NOT BE USED WITHOUT WRITTEN PERMISSION																				
				SIZE: C																					



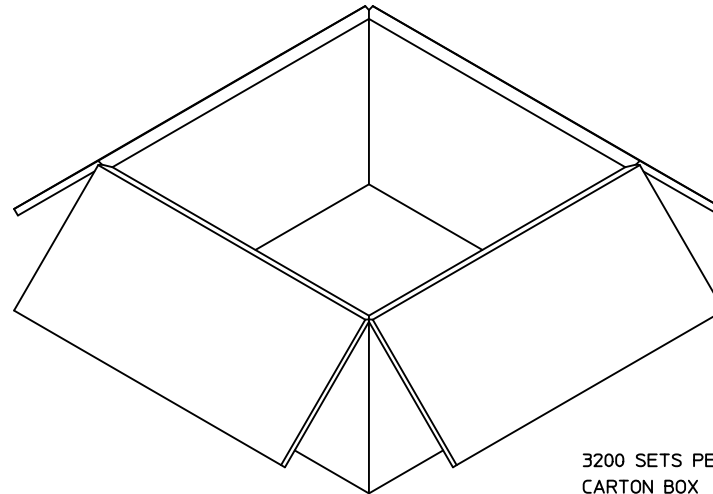
PART NO. 73413-0050



80 SETS PERE TRAY
TRAY P/N 89707-0190
360*165*18.6 MM



1600 SETS PER INNER
CARTON BOX
P/N 96707-0001
367*173*188 MM



3200 SETS PER OUTER
CARTON BOX
P/N 96708-0005
385*367*206 MM

CHG NEW RELEASE CUSTOMER REQUEST ELECTRONIC DATE: 2012/05/07	DRAWN BY: CHENG CHKD: CHENG APPR: MHUANG	2012/05/08 2012/05/11	QUALITY SYMBOLS ▽=0 ▽=0 ▽=0	GENERAL TOLERANCES (UNLESS SPECIFIED)	DIMENSION STYLE MM/IN	SCALE DESIGN UNITS METRIC	THIRD ANGLE PROJECTION
	REV: A	DESCRIPTION	4 PLACES ± --- ± --- 3 PLACES ± --- ± --- 2 PLACES ± --- ± --- 1 PLACE ± --- ± --- 0 PLACE ± --- ± ---	mm INCH	DRAWN BY: YCHENG DATE: 2012/05/08 CHECKED BY: _____ DATE: _____	TITLE PACKING FOR 73413-0050	APPROVED BY: MHUANG DATE: 2012/05/11
	ANGULAR ± 2 °			DRAFT WHERE APPLICABLE MUST REMAIN WITHIN DIMENSIONS	MATERIAL NO. -----	DOCUMENT NO. SD-73413-005PKG	SHEET NO. 1 OF 1
	THIS DRAWING CONTAINS INFORMATION THAT IS PROPRIETARY TO MOLEX INCORPORATED AND SHOULD NOT BE USED WITHOUT WRITTEN PERMISSION						