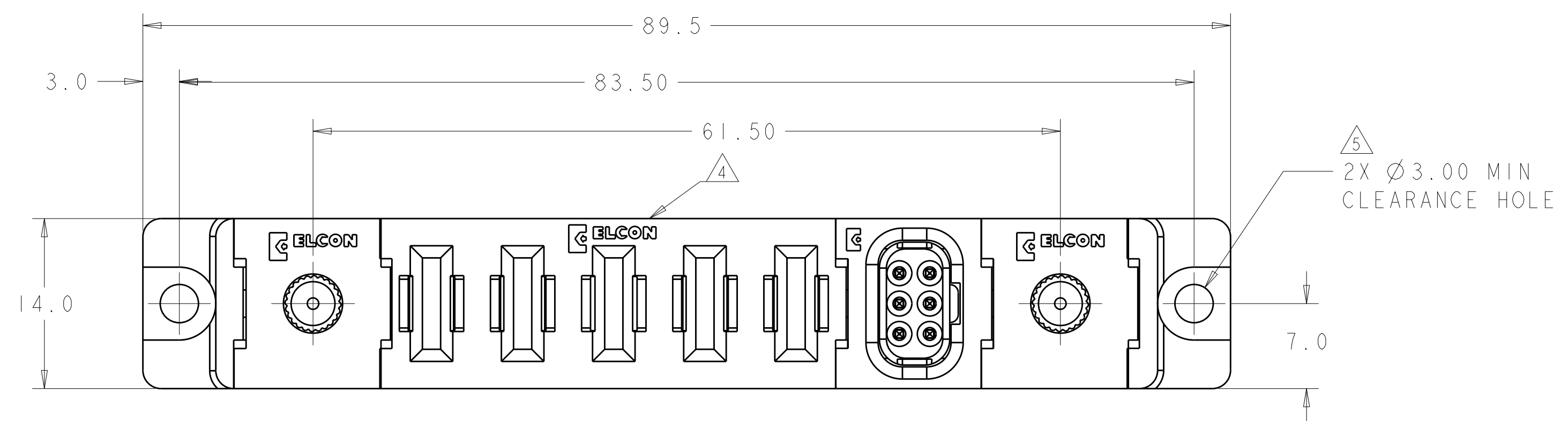
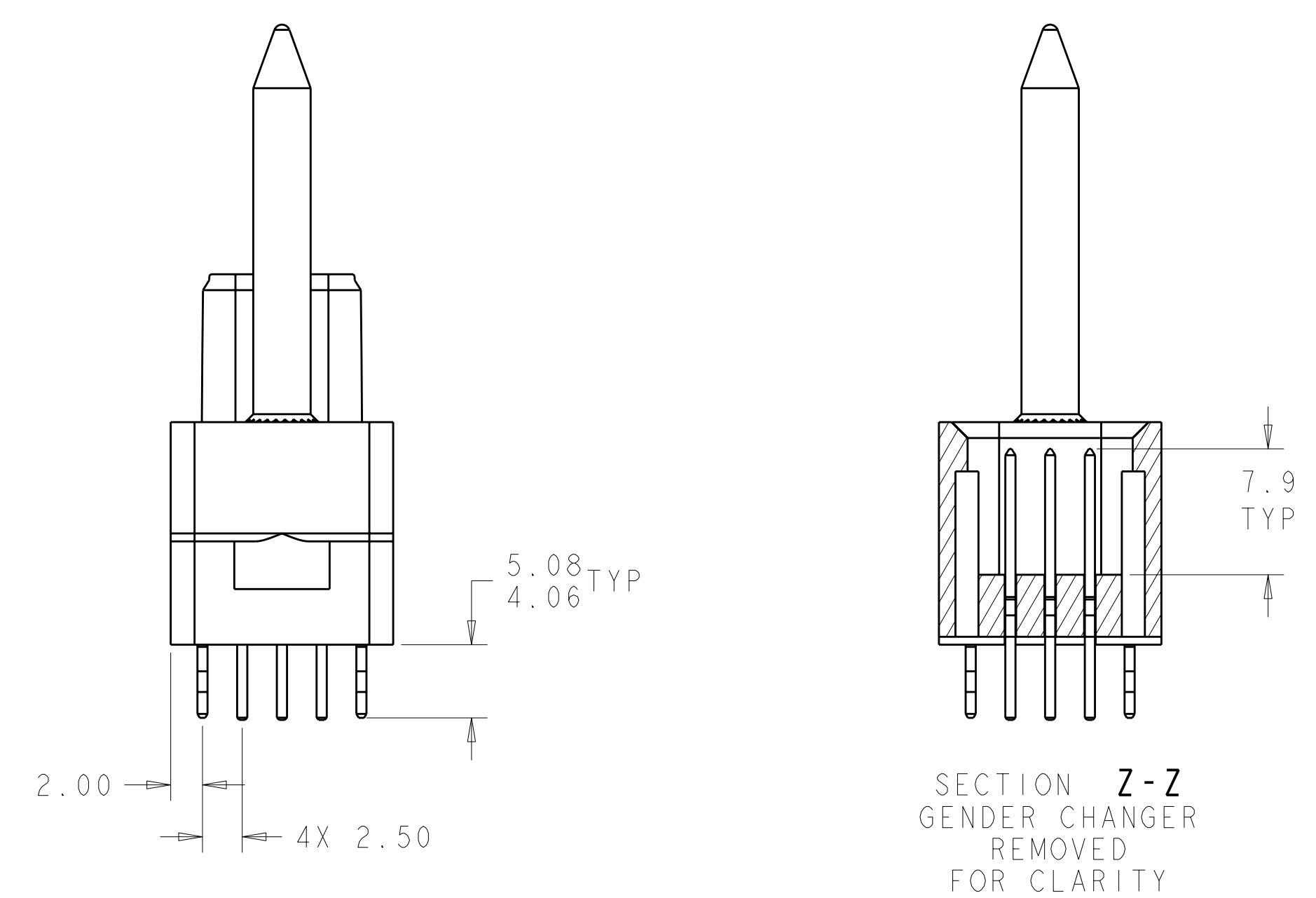
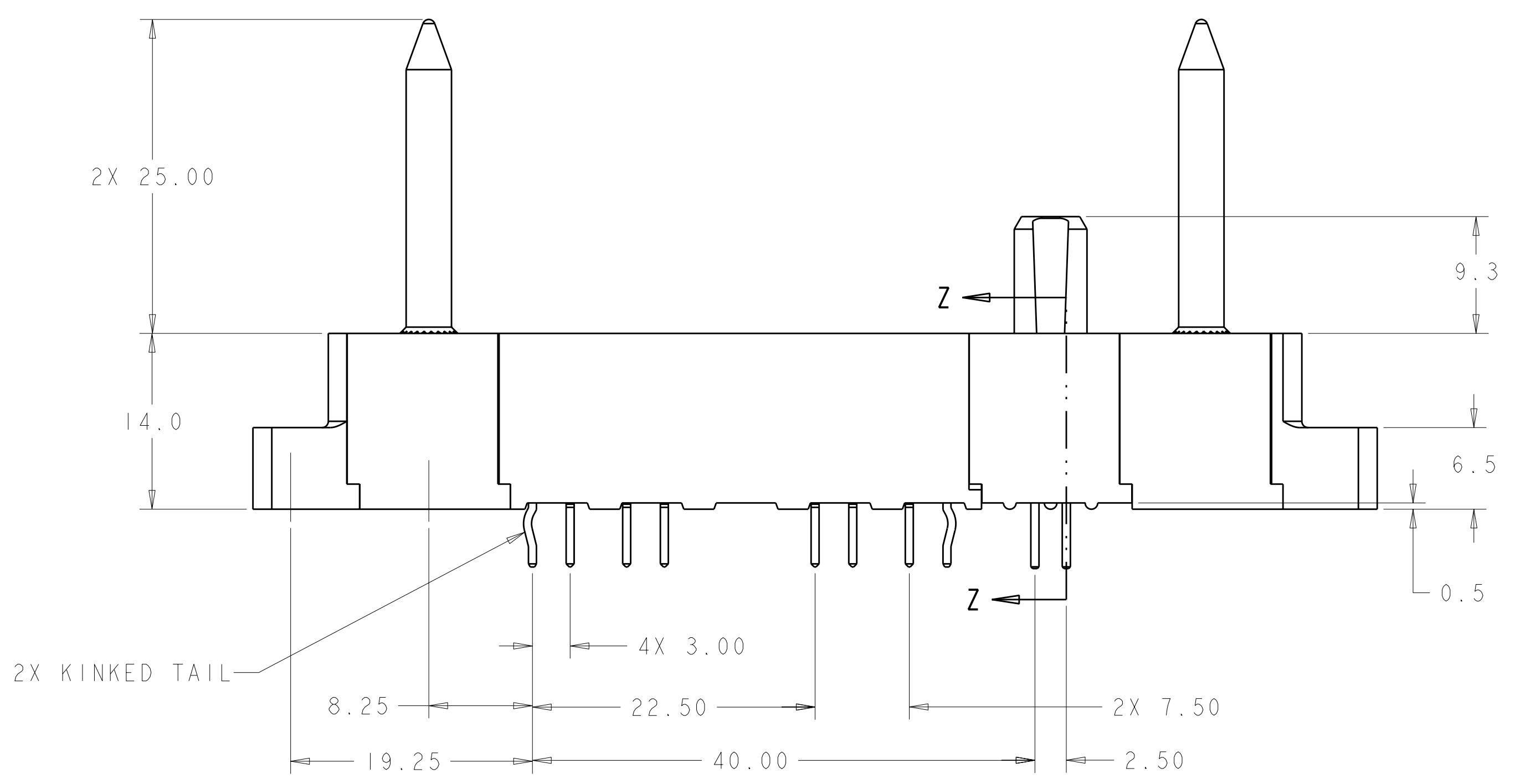


LOC	DIST	REVISIONS			
GP	00	REV	DATE	BY	APPD
		A	07AUG2007	RG	PD
		B	14SEP2011	RG	MS



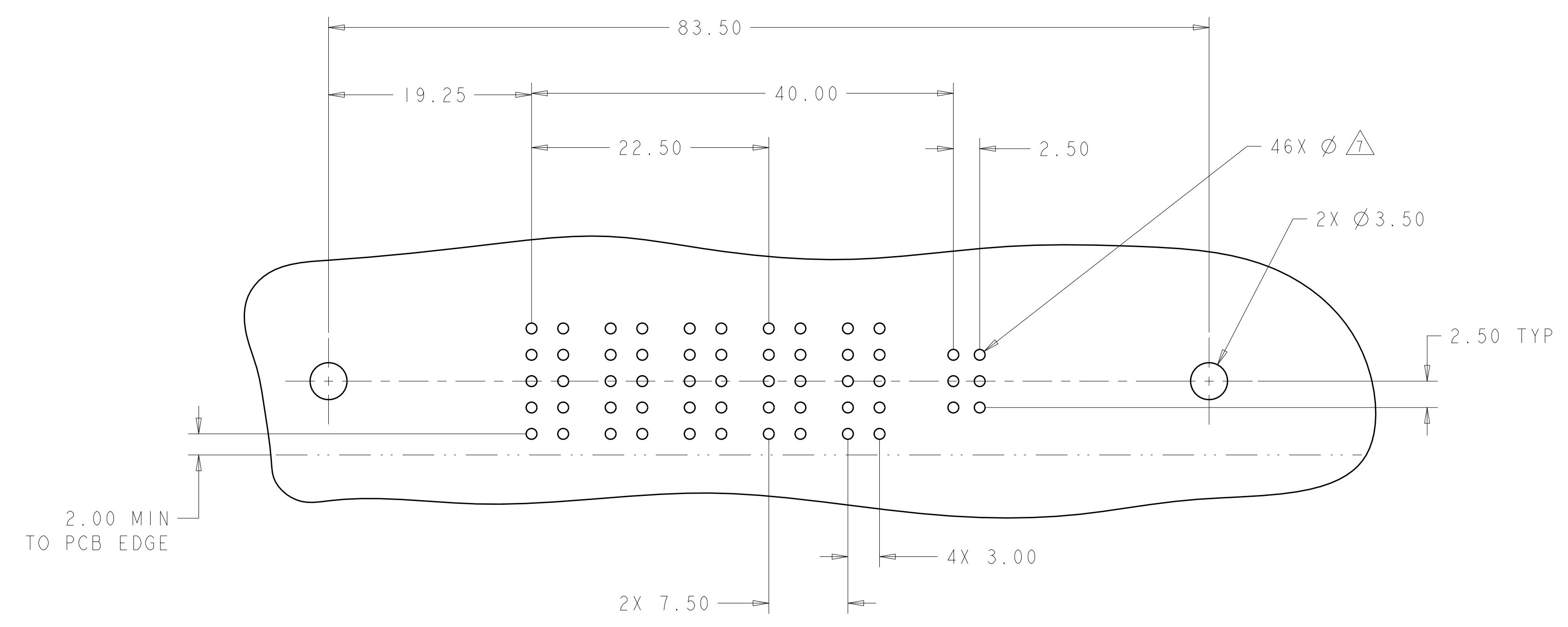
1. PART NUMBER CHANGES AND OR DESIGN CHANGES AFFECTING ITEM INTERCHANGEABILITY REQUIRE PRIOR TYCO ELECTRONICS APPROVAL AND AUTHORIZATION BY REVISION TO THIS DRAWING.
- 2 MATERIAL:
 INSULATORS - THERMOPLASTIC, GLASS REINFORCED, COLOR: BLACK
 UL94V-0 FLAMMABILITY RATED.
 POWER CONTACTS - PHOSPHOR BRONZE ALLOY,
 COPPER ALLOY
 SOLDER SIGNAL PIN - BRASS ALLOY
 CROWN BAND-BERYLLIUM COPPER ALLOY
 GUIDE PIN-BRASS ALLOY
- 3 FINISH:
 CONTACTS - GOLD PLATE 0.76µm MIN. THK., OVER
 NICKEL 1.27µm MIN. THK
 SOLDER TAILS, TIN 3.05µm MIN. THK.
 OVER NICKEL 1.27µm MIN. THK
 GUIDE PIN - NICKEL PLATE 1.27µm MIN THK.
- 4 ITEMS PROVIDED TO THIS SPECIFICATION TO BE PERMANENTLY IDENTIFIED PER THE FOLLOWING IDENTIFIER LABEL
- YEAR WEEK
- TYCO ELECTRONICS P/N DATE CODE (e.g. 0106)
- XXXXXXX-X XXXX
- 5 MOUNTING FLANGES ACCEPT M3 OR 4-40 SCREWS (USER SUPPLIED).



ELCON **FLATPAQ**

DIMENSIONS:		TOLERANCES UNLESS OTHERWISE SPECIFIED:		DWN R. GRZYBOWSKI 07AUG2007		AS SHOWN 6646410-1	
mm	9 PLC ±.5	1 PLC ±.5	5 PLC ±.25	CHK P. DAMATO 07AUG2007	Tyco Electronics Harrisburg, PA 17105-3608		DESCRIPTION PART NUMBER
	4 PLC ±.5	ANGLES ±.3		APVD S. FLICKINGER 07AUG2007	NAME		SOCKET CONNECTOR, STRAIGHT SOLDER TAILS W/ KINKED FLATPAQ
MATERIAL		FINISH		PRODUCT SPEC	SIZE	CAGE CODE	DRAWING NO
				APPLICATION SPEC	A100779	C=6646410	RESTRICTED TO
				WEIGHT	SCALE 3:1		SHEET 1 OF 3
				CUSTOMER DRAWING	REV B		

LOC	DIST	REVISIONS			
GP	00	REV	DATE	BY	APPD
-	-	SEE SHEET 1	-	-	-



PRINTED CIRCUIT LAYOUT
 COMPONENT SIDE

CONNECTOR	CATALOG MODULE #	QTY	SIZE NO.	CONTACT QTY	MATING PIN	MAX. CURRENT (PER CONTACT)	CONTACT SPACING	VOLTAGE RATING	
SOCKET	FP100	4	8	4	1.25 X 7.00 [.049 X .276]	35 amps	7.50 [.2953]	250 VOLTS	
	FP313	1	8	6	.64 [.025] SQ.	3 amps	2.50 [.0984]	125 VOLTS	
	FP511	1	SPACER						
	FP503	2	GUIDE PIN, PASSIVE						
	FP500	1	MOUNTING FLANGE, LEFT						
	FP501	1	MOUNTING FLANGE, RIGHT						

ELCON FLATPAQ

<small>THIS DRAWING IS UNPUBLISHED. RELEASED FOR PUBLICATION. THIS IS SUBJECT TO CHANGE WITHOUT NOTICE AND WITHOUT OBLIGATION. TOLERANCES UNLESS OTHERWISE SPECIFIED:</small>		DWN: R. GRZYBOWSKI CHK: P. DAMATO APVD: S. FLICKINGER	Tyco Electronics Harrisburg, PA 17105-3608
DIMENSIONS: mm 	0 PLC ±.5 1 PLC ±.5 2 PLC ±.25 3 PLC ±.25 4 PLC ±.25 ANGLES ±.3 FINISH -	NAME: SOCKET CONNECTOR, STRAIGHT SOLDER TAILS W/ KINKED FLATPAQ SIZE: A 00779 C=6646410 CUSTOMER DRAWING	RESTRICTED TO: - SCALE: 3:1 SHEET 2 OF 3 REV B

