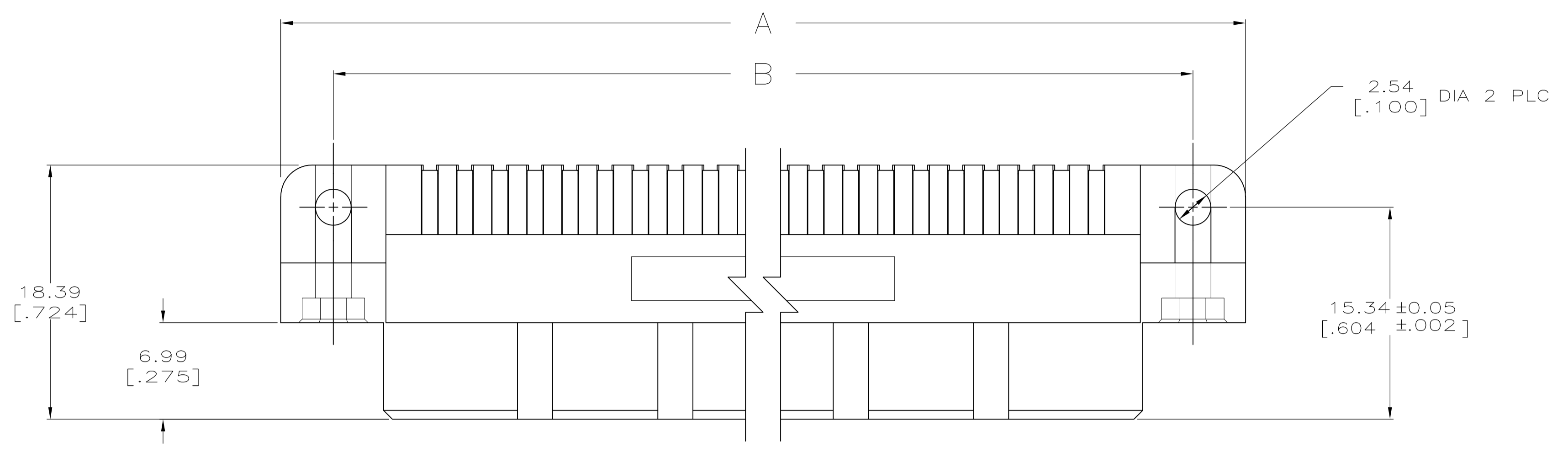
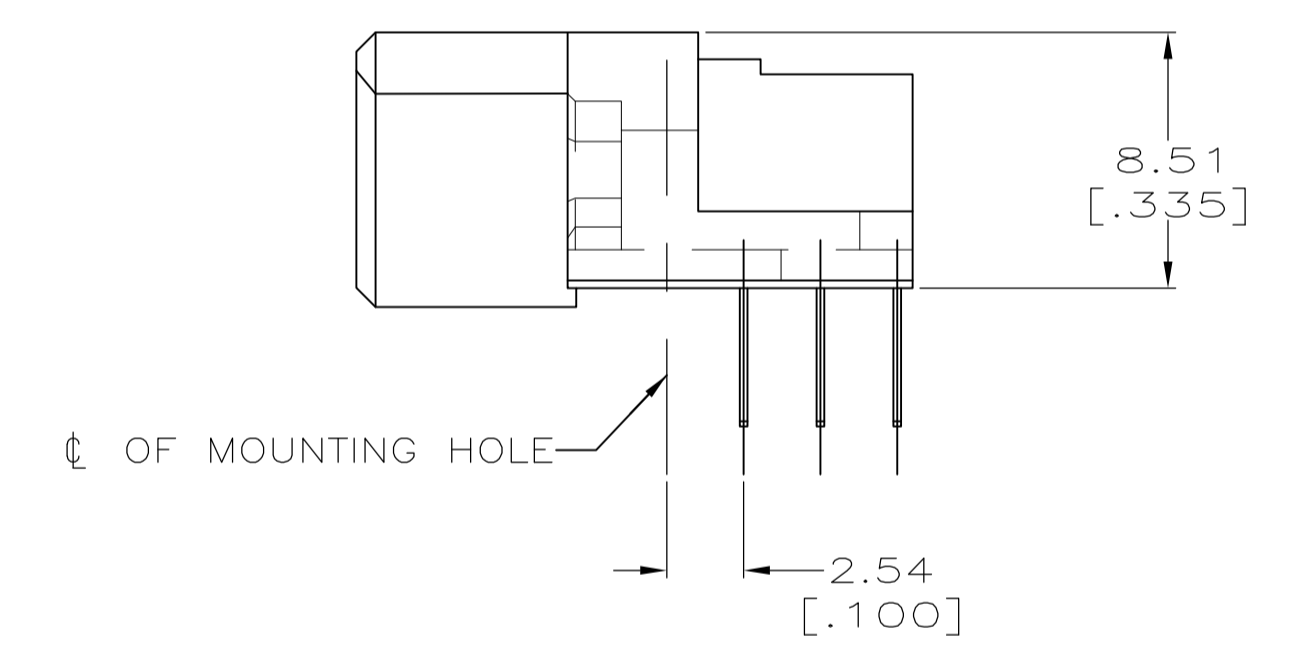
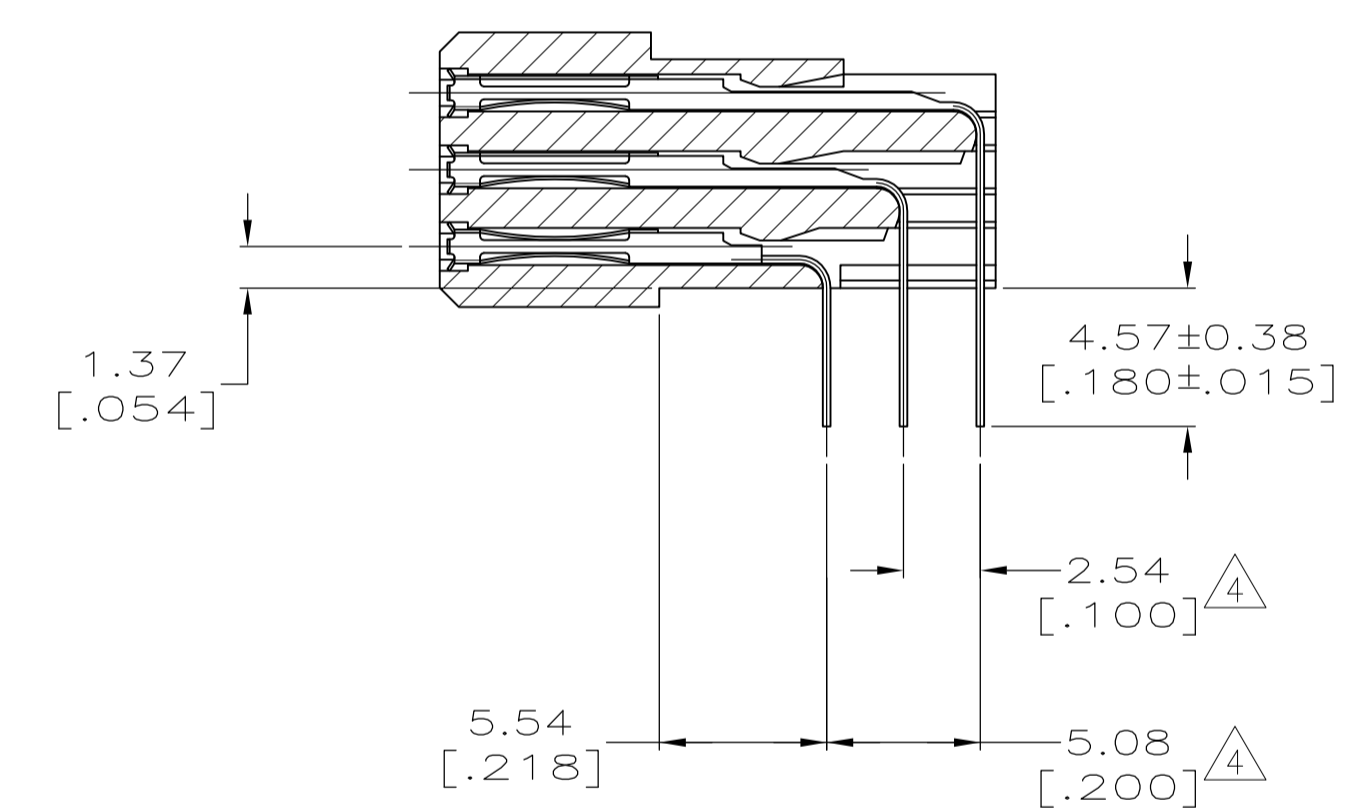
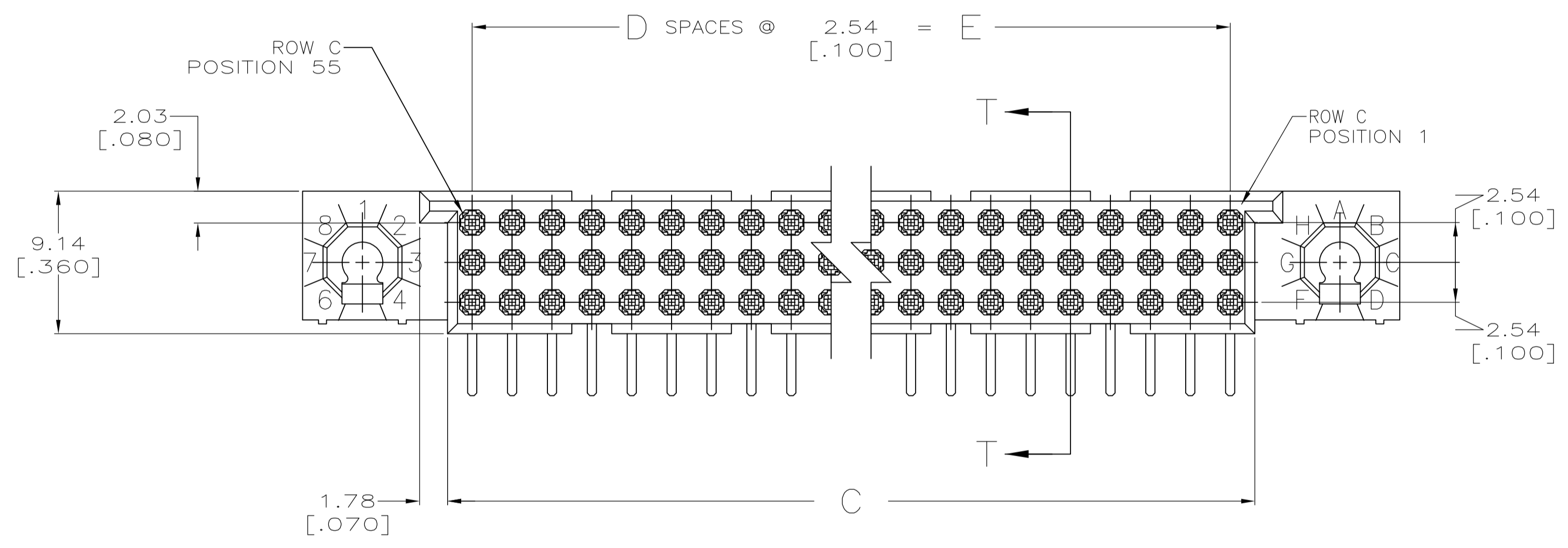


REVISIONS					
P	LTR	DESCRIPTION	DATE	DMN	APVD
G		REVISED PER ECO-15-015252	13NOV15	BJ	FY



- 1 HOUSING MATERIAL: THERMOPLASTIC, COLOR: BLACK
- 2 CONTACT MATERIAL: COPPER ALLOY
- 3 FINISH:  
MATING AREA: MEETS THE PERFORMANCE REQUIREMENTS OF PRODUCT SPECIFICATION 108-9063; BASED ON TELCORDIA DR-1217-CORE APPLICATIONS IN UNCONTROLLED ENVIRONMENTS.  
SOLDER TAILS AREA: TIN-LEAD PLATED.
- 4 SOLDER TAILS MUST FIT HOLE PATTERN AS SHOWN ON THE RECOMMENDED P.C. BOARD LAYOUT
- 5 HOUSINGS WITH CENTER MOUNTING IS RECOMMENDED FOR ASSEMBLIES HAVING 75 CONTACTS PER ROW OR MORE
- 6 SEE SHEET 2 FOR LOADING PATTERN AND P.C. BOARD LAYOUT



SECTION T-T

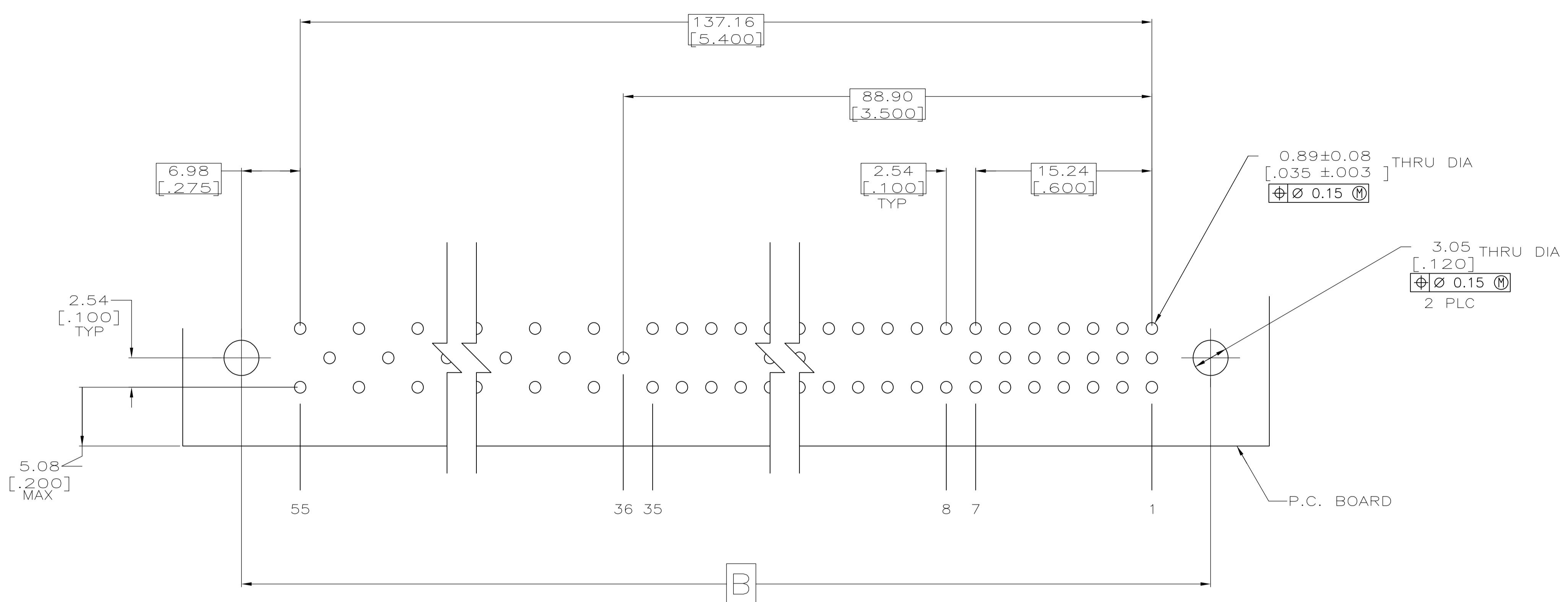
OBSELETE	137.16 [5.400]	54	140.31 [5.524]	151.13 [5.950]	158.75 [6.250]	69	532834-2
	137.16 [5.400]	54	140.31 [5.524]	151.13 [5.950]	158.75 [6.250]	107	532834-1
	E	D	C	B	A	POSITION	PART NUMBER

THIS DRAWING IS A CONTROLLED DOCUMENT.

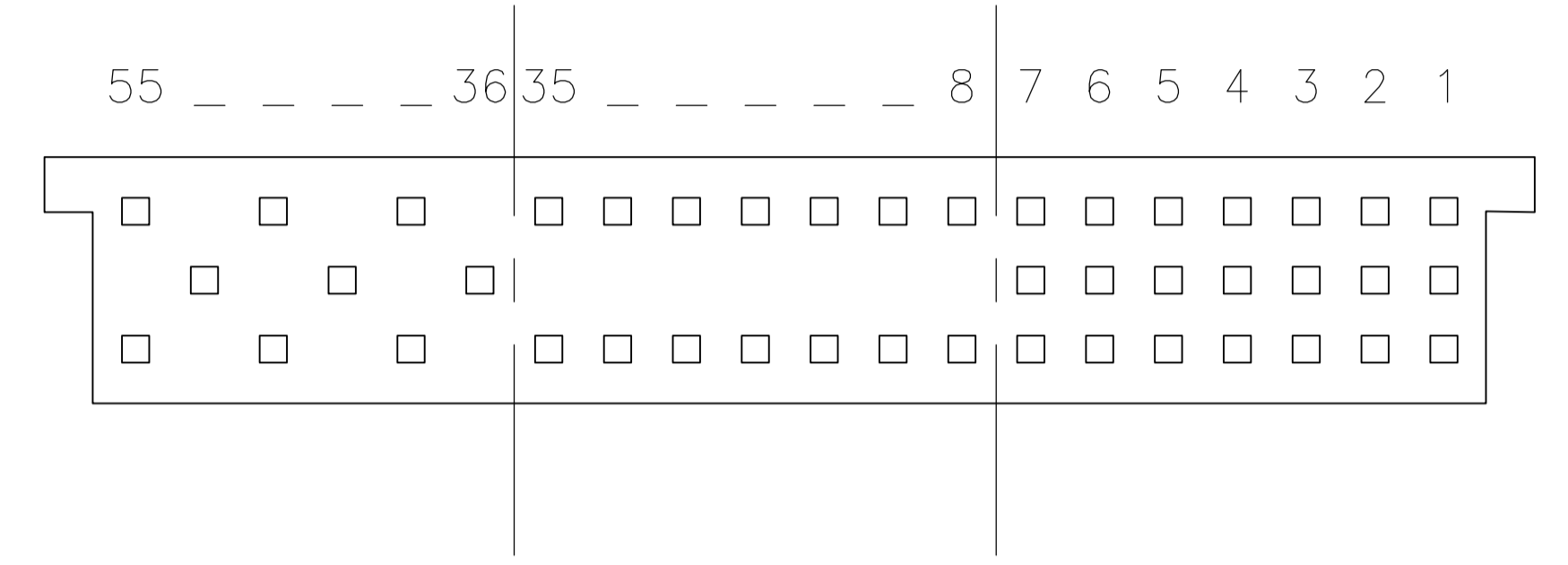
DIMENSIONS: mm	TOLERANCES UNLESS OTHERWISE SPECIFIED:	0 PLC ± -	1 PLC ± -	2 PLC ± 0.13[.005]	3 PLC ± -	4 PLC ± -	ANGLES ± -	FINISH
								1/2 3

DIM: DK SCHRUM 23JUL2003  
 CHK: WI MILLHIMES 23JUL2003  
 APVD: WI MILLHIMES 23JUL2003  
 NAME: HOI, 3 ROW, RECEPTACLE ASSEMBLY, SPECIAL LOADING  
 PRODUCT SPEC: -  
 APPLICATION SPEC: -  
 SIZE: A1  
 CAGE CODE: 00779  
 DRAWING NO: 532834  
 WEIGHT: 0  
 CUSTOMER DRAWING: -  
 SCALE: 4:1  
 SHEET: 1 OF 2  
 REV: G

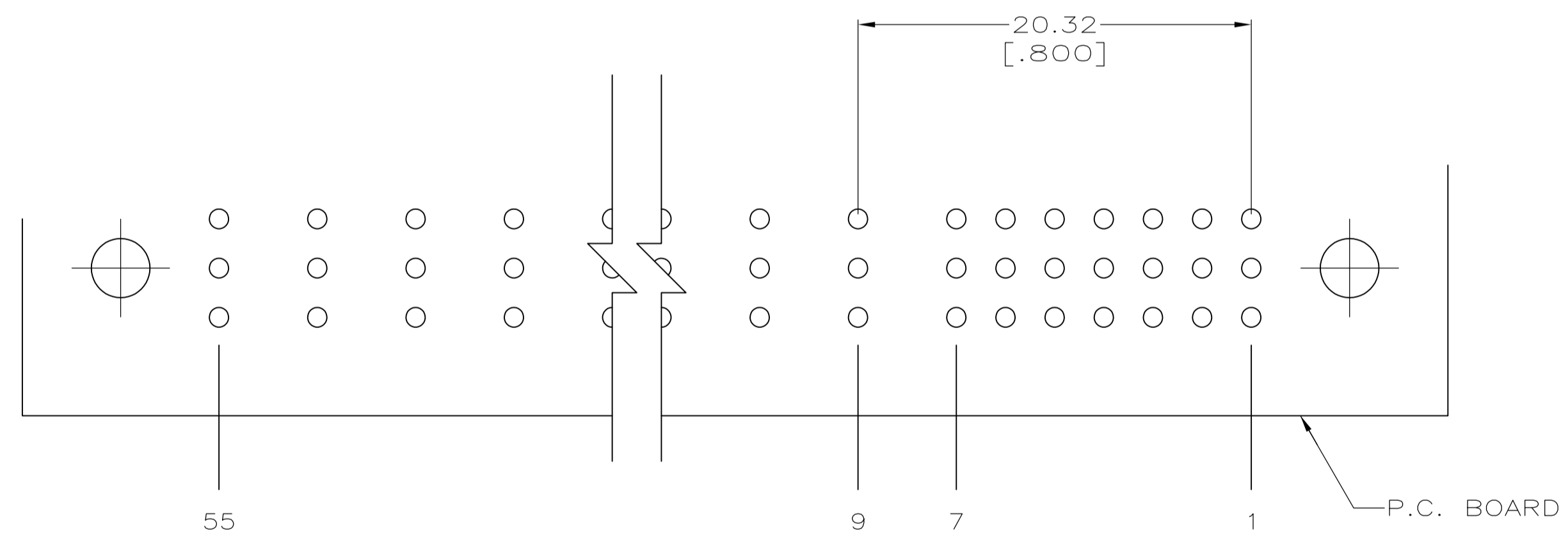
REVISIONS				
P	LTR	DESCRIPTION	DATE	APPV
-	-	SEE SHEET 1	-	-



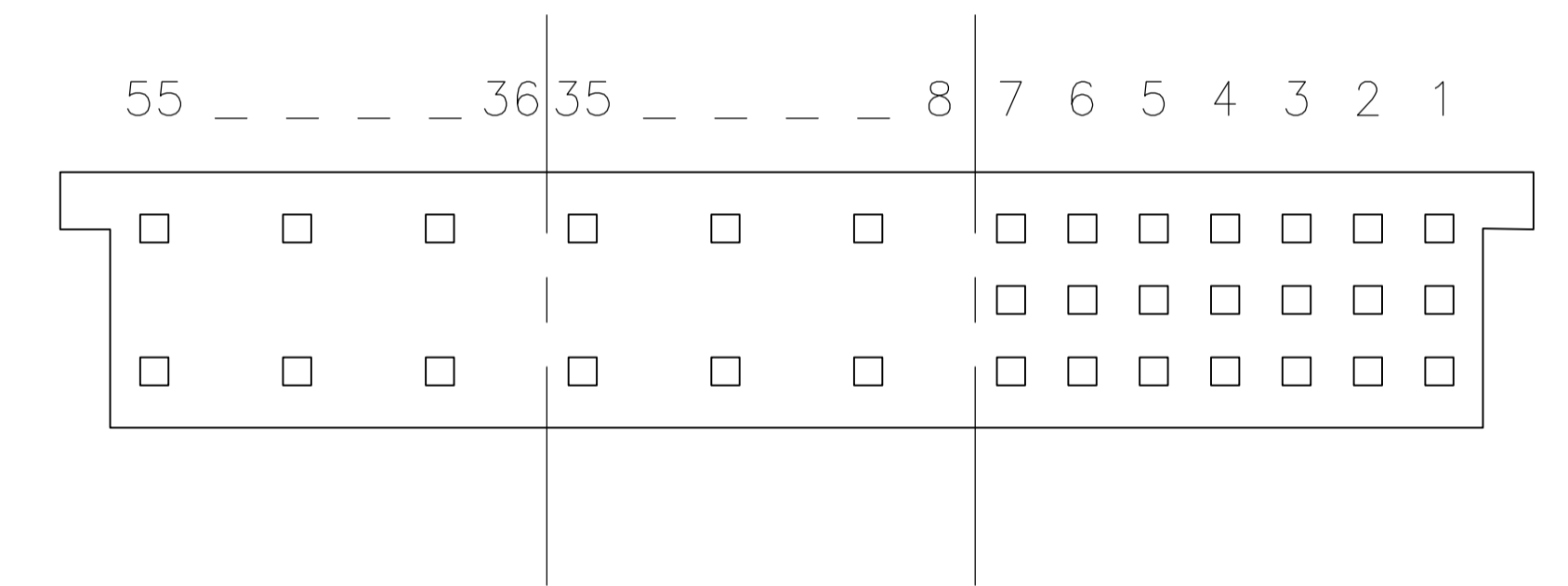
RECOMMENDED P.C. BOARD LAYOUT  
CONNECTOR SIDE DOWN  
P/N 532834-1



CONTACT LOADING PATTERN  
107 CONTACTS  
P/N 532834-1



RECOMMENDED P.C. BOARD LAYOUT  
CONNECTOR SIDE DOWN  
P/N 532834-2  
(DIMENSIONS SAME AS ABOVE)



CONTACT LOADING PATTERN  
69 CONTACTS  
P/N 532834-2

THIS DRAWING IS A CONTROLLED DOCUMENT.		DIN DK SCHRUM 23JUL2003		TE Connectivity	
DIMENSIONS: mm		TOLERANCES UNLESS OTHERWISE SPECIFIED:			
<ul style="list-style-type: none"> <li>0. PLC ± -</li> <li>1. PLC ± -</li> <li>2. PLC ± 0.13[.005]</li> <li>3. PLC ± -</li> <li>4. PLC ± -</li> <li>ANGLES ± -</li> </ul>		APVD WI MILLHIMES 23JUL2003 PRODUCT SPEC APPLICATION SPEC		SIZE: A1 CAGE CODE: 00779 DRAWING NO: 532834	
MATERIAL:		FINISH:		RESTRICTED TO: -	
CUSTOMER DRAWING		SCALE: 4:1		SHEET 2 OF 2 REV G	