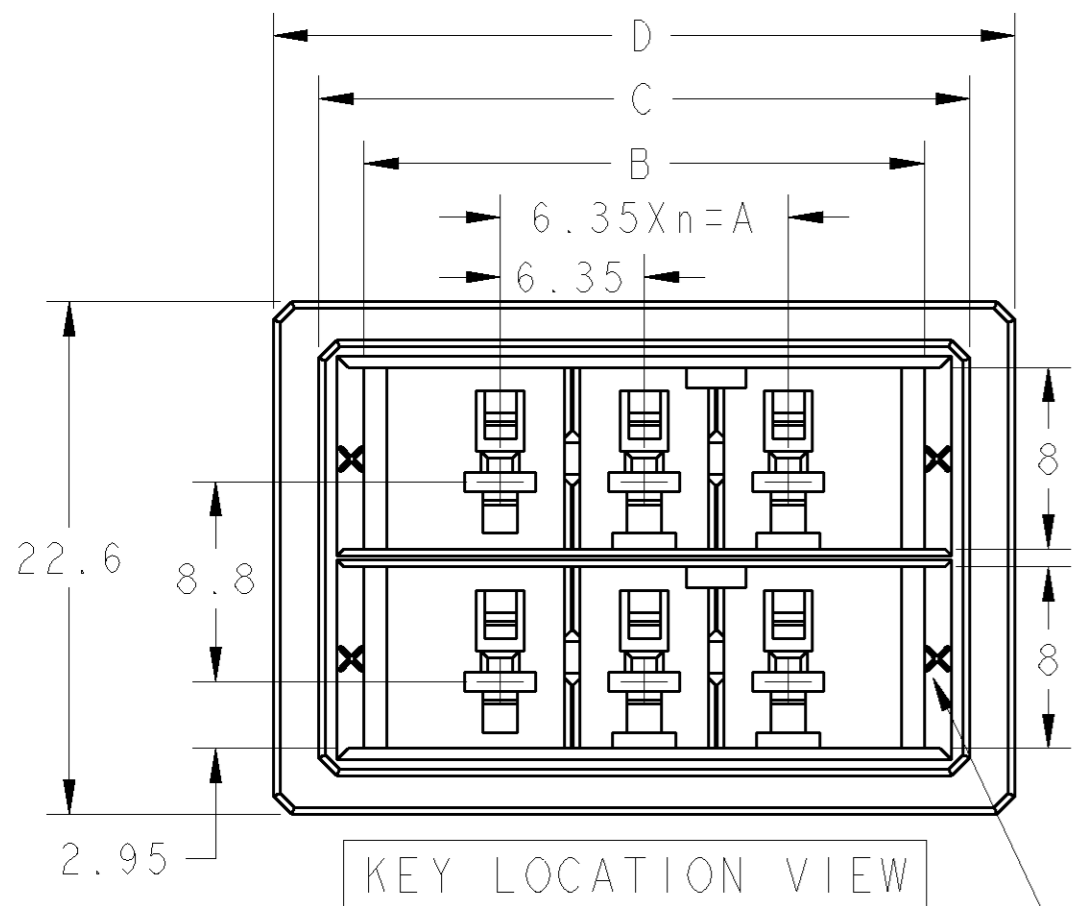
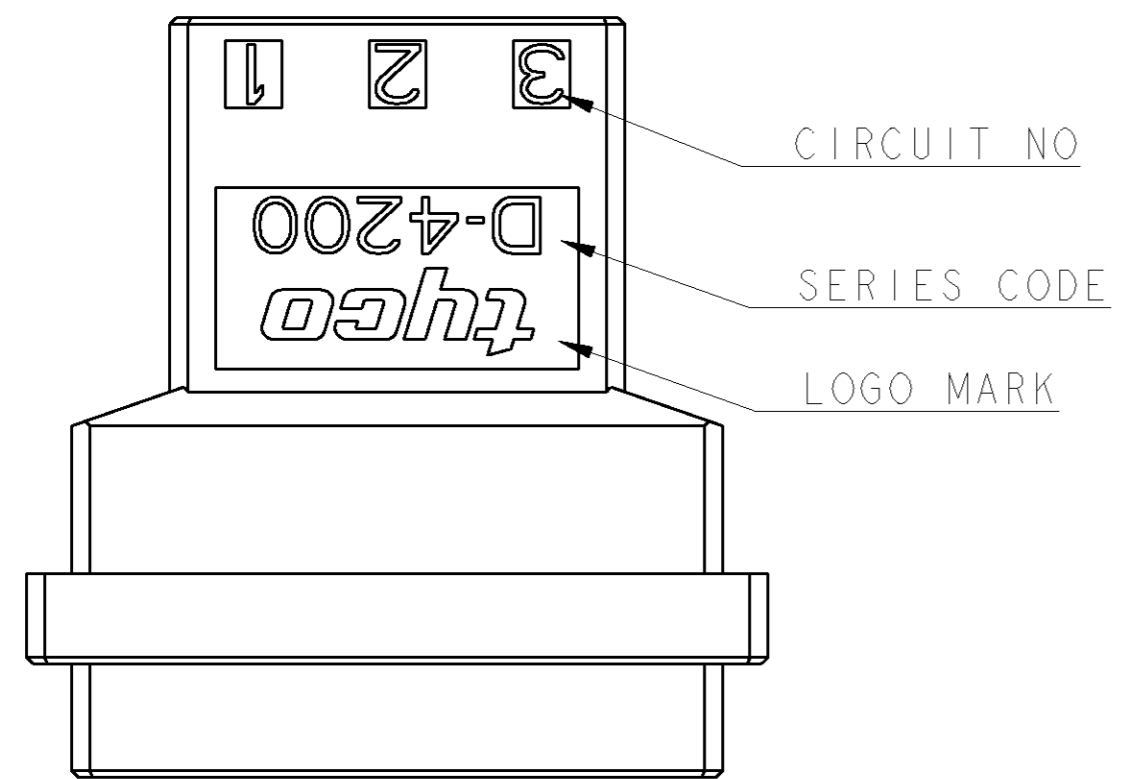


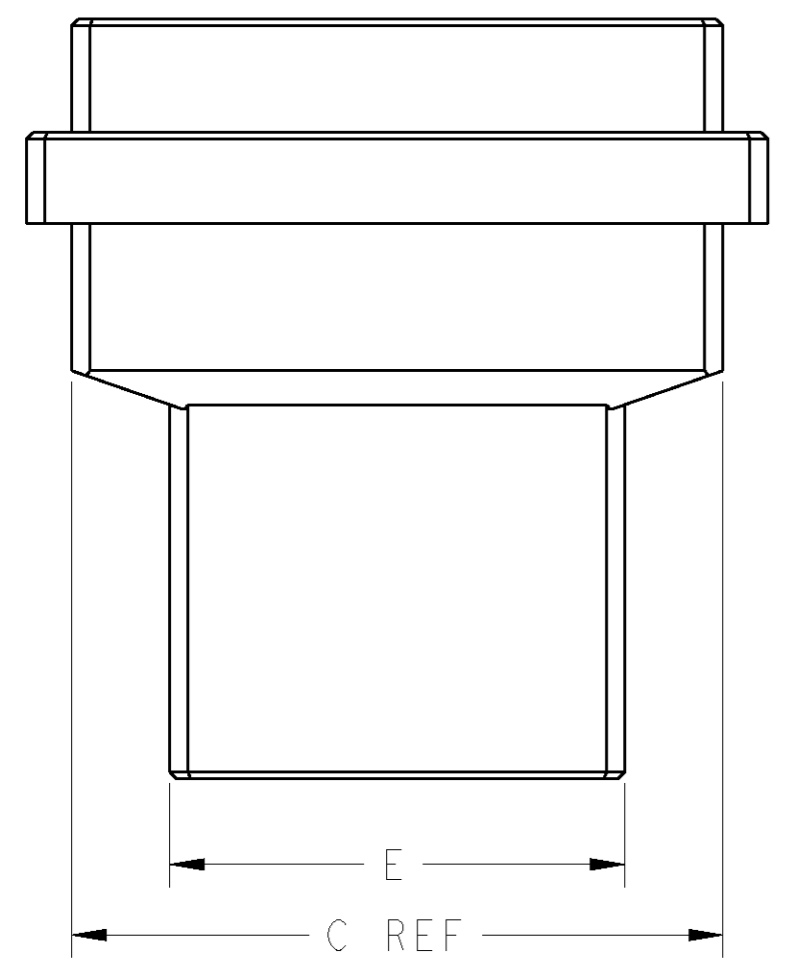
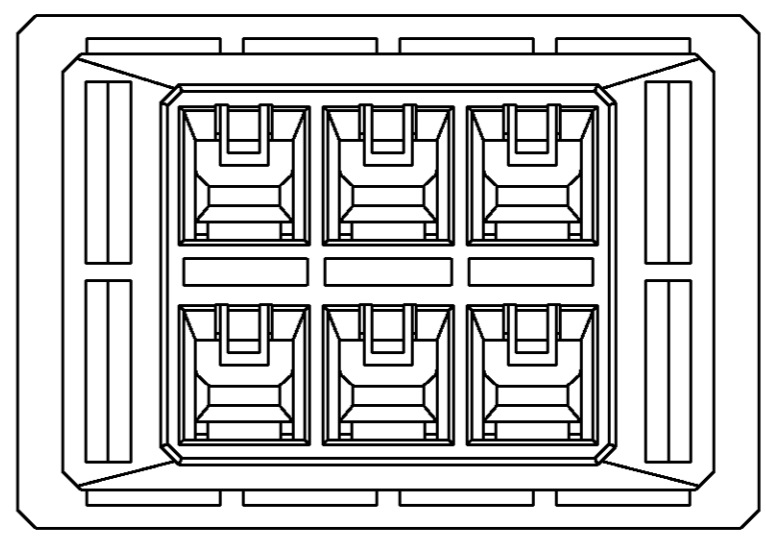
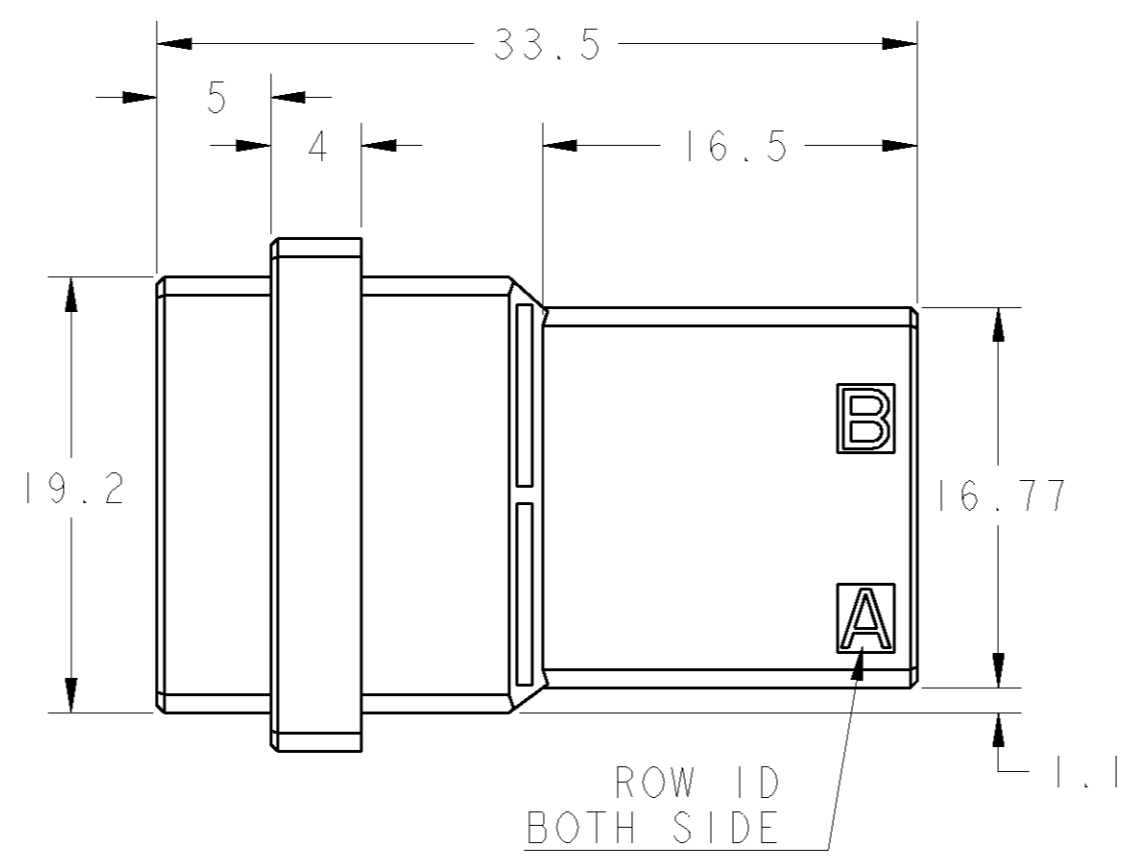
1. MATERIAL: GLASS FIBERED THERMO PLASTIC POLYESTER(94V-0), COLOR: BLACK
 2. THE SHAPE, SIZE AND POSITION OF THE CHARACTER SHOW THE OUTLINE. THEY DON'T SHOW DETAILS.

1. 材料: ガラス入り熱可塑性ポリエステル樹脂(94V-0), 色: 黒
 2. 文字の形状、大きさ、および位置については、大略を示すものであり、詳細を示すものではありません。

REV. NO.	DATE	BY	CHK	DESCRIPTION	ECN	DATE	DWN	APVD
A	01MAY2006	M.M.	T.M.	RELEASED				
AI	12JAN2007	M.M.	D.M.	CORRECT SPECIFICATION NO	ECR-07-000882			



KEYING:
 XX OR YY OR XY
 XX : 1- -□
 YY : 2- -□
 XY : 3- -□



AS SHOWN : 1-1903330-3(6POS: X-X KEY)

POS	n	A	B	C	D	E	KEY LOCATION	KEY	PART NUMBER
6	2	12.70	24.70	28.70	32.70	20.05		X-X	1-1903330-3
6	2	12.70	24.70	28.70	32.70	20.05		Y-Y	2-1903330-3
6	2	12.70	24.70	28.70	32.70	20.05		X-Y	3-1903330-3

THIS DRAWING IS A CONTROLLED DOCUMENT FOR TYCO ELECTRONICS CORPORATION IT IS SUBJECT TO CHANGE AND THE CONTROLLING ENGINEERING ORGANIZATION SHOULD BE CONTACTED FOR THE LATEST REVISION.		DWN: M. MAEBASHI 01MAY2006 CHK: T. KUDO 01MAY2006 APVD: D. MITSUGI 01MAY2006	tyco Electronics Tyco Electronics AMP K.K. Kawasaki, Japan
DIMENSIONS: 単位: 概 mm	TOLERANCES UNLESS OTHERWISE SPECIFIED: 一般公差 ±0.3, ±3° 0-PLC ±0.5 1-PLC ±0.13 2-PLC ±0.13 3-PLC ±0.013 4-PLC ±0.001 ANGLES ± FINISH 仕上	PRODUCT SPEC 108-78182 APPLICATION SPEC 114-5369 WEIGHT 10.02 g	NAME 名称 DYNAMIC D4200M 6.35mmPITCH TAB HSG (FREE HANGING TYPE) 6POS SIZE CAGE CODE DRAWING NO RESTRICTED TO A200779 C-1903330 -
MATERIAL 材料 -		CUSTOMER DRAWING 図号 3:1 SHEET 1 OF 1 REV AI	