

CUSTOMER PRINT

PART NUMBER: W3Z85-XPG-P-3XX

- NOTES:
1. ALL PARTS TO BE BULK PACKED UNLESS NOTED.
 2. INSTA CLICK CABLE-END ASSEMBLY IS SUPPLIED AS A KIT. COUPLING RING, ORINGS CONTACTS (3-4), HEX SCREWS ARE ALL ASSEMBLED.
 3. ALL DIMENSIONS ARE REFERENCED IN INCHES [MM], WITHIN ± 0.015 UNLESS NOTED.

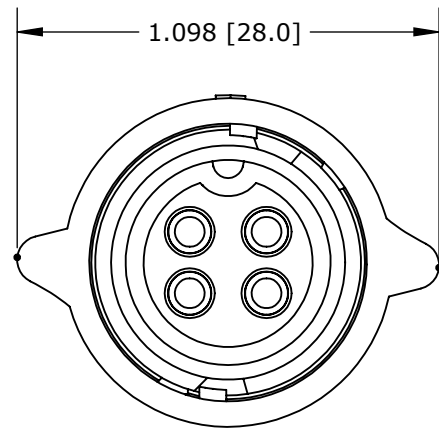
PART NUMBER SYSTEM
W3Z85-XPG-P-3XX

SCREW TERMINAL CONTACT
SIZE #14

CONTACTS POSITION
(3 & 4)

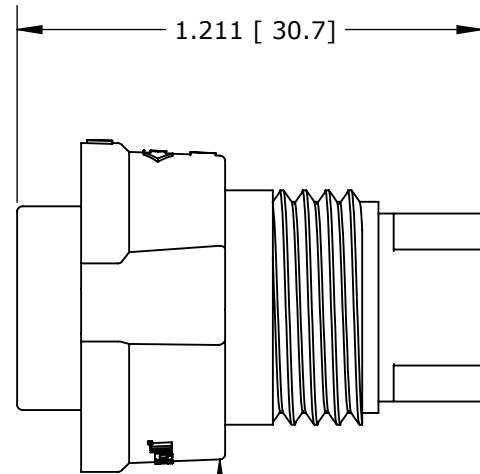
GROMMET SIZE & CABLE OD RANGE (LARGER TO SMALLER)
35 - .375 GROMMET I.D FOR CABLE OD .35-.40 [8.9 - 10.2]
30- .312 GROMMET I.D FOR CABLE OD .30-.32 [7.6 - 8.1]
28- .285 GROMMET I.D FOR CABLE OD .28-.29 [7.1 - 7.4]

ASSEMBLY PART NUMBERS	CABLE OD RANGE
W3Z85-3PG-P-328	0.28 - 0.29
W3Z85-3PG-P-330	0.30 - 0.32
W3Z85-3PG-P-335	0.35 - 0.40
W3Z85-4PG-P-328	0.28 - 0.29
W3Z85-4PG-P-330	0.30 - 0.32
W3Z85-4PG-P-335	0.35 - 0.40

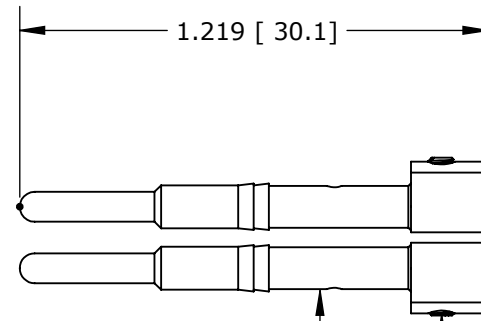


MATING FACE
ASSY: W3Z85-4PG-P-3XX SHOWN

CABLE END CONN KIT
MATERIAL:
HOUSING-BLK THERMOPLASTIC
COUPLING RING-BLK THERMOPLASTIC
O-RING: RED SILICONE
INTERNAL SPRING: STAINLESS STEEL



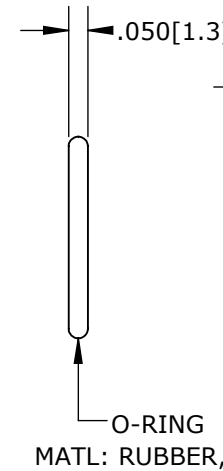
1.211 [30.7]



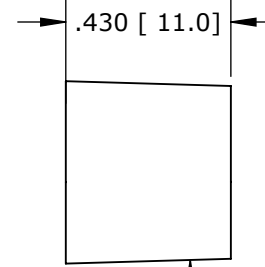
1.219 [30.1]

(3-4) #14 PIN CONTACTS
(SHIPPED ASSEMBLED)
MATL: COPPER ALLOY, GOLD PLATED

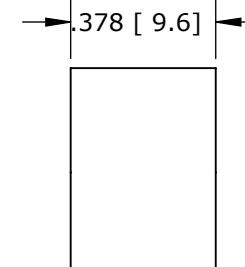
(3-4) SET SCREW
(SHIPPED ASSEMBLED)
MATL: 18-8 STAINLESS STEEL



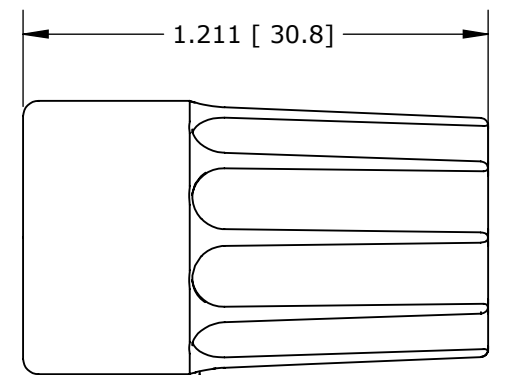
O-RING
MATL: RUBBER, BLK



GROMMET
MATL: SANTOPRENE, BLK
(DIFFERENT SIZES AVAILABLE)

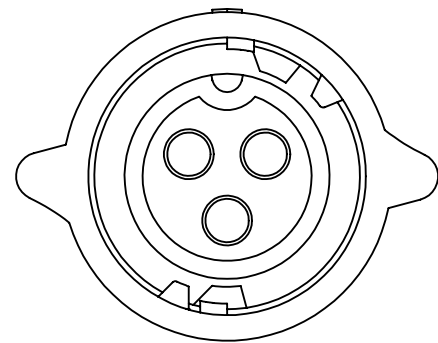


SLEEVE, LARGE
MATL: THERMOPLASTIC, BLK

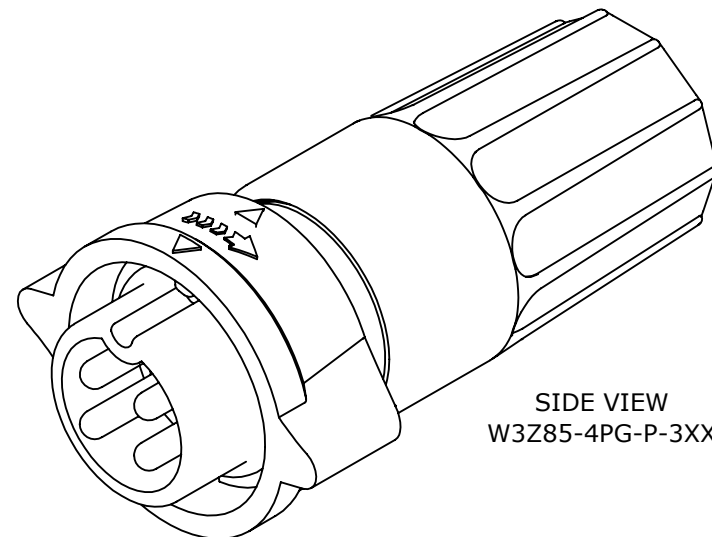


1.211 [30.8]

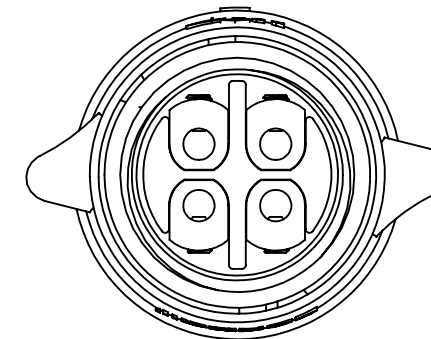
BACKSHELL
MATL: THERMOPLASTIC,
BLACK



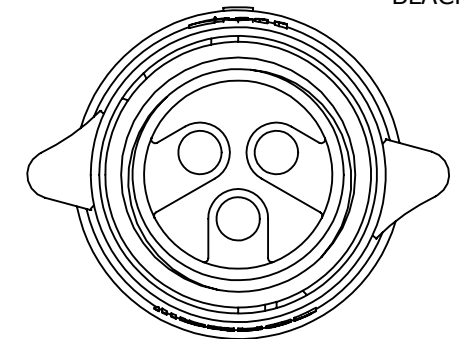
MATING FACE
ASSY: W3Z85-3PG-P-3XX SHOWN



SIDE VIEW
W3Z85-4PG-P-3XX



WIRING END VIEW (4 POS)
WITHOUT REAR END HARDWARE



WIRING END VIEW (3 POS)
WITHOUT REAR END HARDWARE

CUSTOMER APPROVAL

THIS DOCUMENT CONTAINS CONFIDENTIAL INFORMATION PROPRIETARY TO CONXALL CORPORATION. ANY REPRODUCTION, DISCLOSURE, OR USE OF THIS DOCUMENT /INFORMATION IS EXPRESSLY PROHIBITED UNLESS AUTHORIZED IN WRITING BY CONXALL CORPORATION.

APPROVED BY: _____
DATE: _____

RoHS COMPLIANT

0A	AM	02/18/22	FIRST DRAWN
REV.	INIT.	DATE	DESCRIPTION
			ORIG. DRAWN BY: AM DATE: 02/18/22
ALL INFORMATION ILLUSTRATED IS THE PROPERTY OF "CONXALL CORPORATION." UNAUTHORIZED DUPLICATION OR DISTRIBUTION OF THIS DOCUMENT IS PROHIBITED.			<p>601 E. WILLOWOOD VILLA PARK, IL 60181</p>
ALL UNITS ARE IN FEET, INCHES, FRACTION OF INCHES AND DECIMALS. UNLESS OTHERWISE SPECIFIED TOLERANCES: 3 PLACE DECIMALS ±.005 ANGLES ±1° FRACTIONS ±1/16			
APPROVED BY: _____			TITLE: CABLE END CONNECTOR (3-4) #14 PIN CONTACTS MULTI CONX INSTA-CLICK SCREW TERM STANDARD PRODUCT
SCALE	SIZE	SHEET	CUSTOMER:
NTS	B	1 OF 1	
FILE:	DIRECTORY:	PART NUMBER:	REV
FILE NAME	SLW	W3Z85-XPG-P-3XX	0A