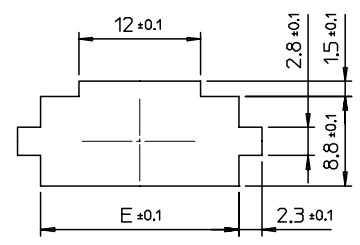
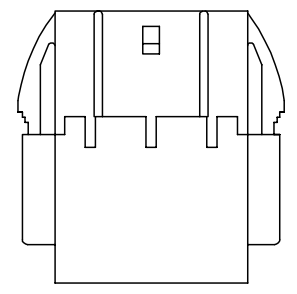
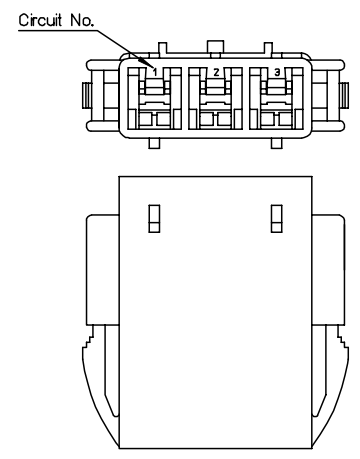
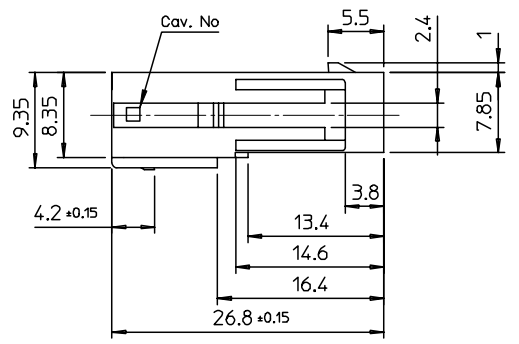
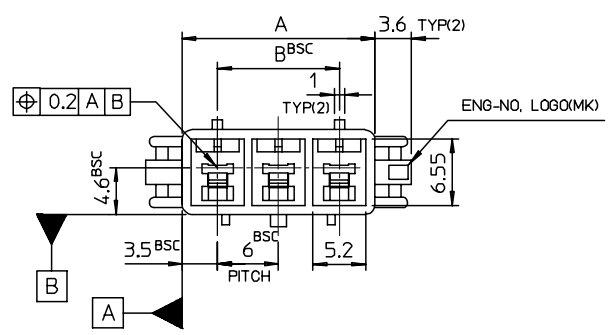


DO NOT SCALE DRAWING DIMENSION IN METRIC
 PROJECT NO. SD-35127-001
 SIMILAR ITEM
 DWG. NO. SD-35127-001

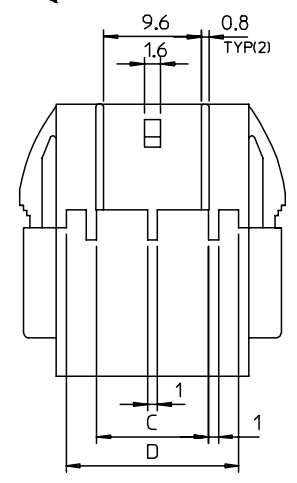


APPLICABLE PANNEL
 THICKNESS : 1.2~2.0mm



NOTES

1. MATERIALS: POLYESTER(PBT), UL94V-0, COLOR: NATURAL(WHITE)
2. DRAFT TO BE 0°30' UNLESS SPECIFIED.
3. WARPING TO BE 0.20 MAX.
4. PERMISSIBLE FLASH: 0.10MAX.
5. APPLICABLE MALE TERMINAL : 35040-****
6. MATED FEMALE HOUSING : 35128-****
7. PRODUCT SPECIFICATION : PS35127



25.5	23	11	18	25	351270400	35127-0400	4
19.5	17	11	12	19	351270300	35127-0300	3
13.5	11	5	6	13	351270200	35127-0200	2
E	D	C	B	A	MAT'L NO	ENG NO	CIRCUITS

REVISED ECN NO. KOR2000-0174 DRWN: Y.R.KIM 05.03.14 CHK: Y.SOO.KIM 05.03.14 APPR: C.W.LEE 05.03.14	QUALITY SYMBOLS MAJOR \blacktriangledown = 2 CRITICAL \triangle = *	GENERAL TOLERANCES: (UNLESS SPECIFIED)		SCALE 2:1	DESIGN UNITS <input checked="" type="checkbox"/> mm <input type="checkbox"/> INCH	THIRD ANGLE PROJECTION <input checked="" type="checkbox"/> FIRST ANGLE	DIMENSIONS: <input type="checkbox"/> mm <input checked="" type="checkbox"/> INCH	SHT REV REVISE ON CAD ONLY	
		4 PLACES $\pm 0.$	3 PLACES $\pm 0.$	2 PLACES $\pm 0.$	1 PLACE ± 0.2	DRAWN BY & DATE Y.R.KIM 05.03.14	TITLE: 6.0 PITCH W-t-W MALE HSG - 2,3,4P		
		ANGULAR: $\pm 1^\circ$				CHECKED BY & DATE Y.SOO.KIM 05.03.14	MOLEX INCORPORATED		
		DRAFT WHERE APPLICABLE MUST REMAIN WITHIN DIMENSIONS				APPROVED BY & DATE C.W.LEE 05.03.14	CAD FILENAME SD35127A_C.MI	MATERIAL NO. SEE TABLE	DRAWING NO. SD-35127-001

THIS DRAWING CONTAINS INFORMATION THAT IS PROPRIETARY TO MOLEX INCORPORATED AND SHOULD NOT BE USED WITHOUT WRITTEN PERMISSION.