

Ultra-Low Noise Microphone with Differential Output

GENERAL DESCRIPTION

The ICS-40720 is an ultra-low noise, differential analog output, bottom-ported MEMS microphone. The ICS-40720 includes a MEMS microphone element, an impedance converter, a differential output amplifier and an enhanced RF package. The ICS-40720's 70 dB SNR and ± 2 dB sensitivity tolerance make it an excellent choice for microphone arrays and far field voice control applications.

The ICS-40720 has a linear response up to 124 dB SPL with a differential output sensitivity specification of -32 dBV. It can be used in a single-ended mode with -38 dBV sensitivity and the same high SNR.

The ICS-40720 is available in a small 4.00 mm \times 3.00 mm \times 1.20 mm surface-mount package.

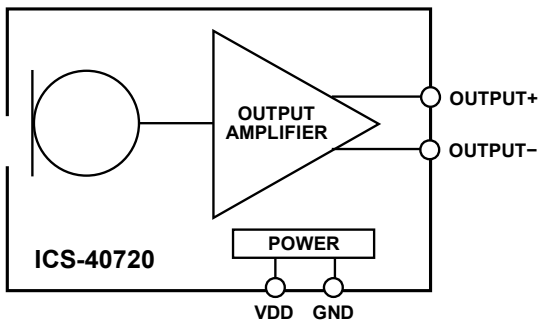
APPLICATIONS

- Smartphones
- Tablet Computers
- Teleconferencing Systems
- Digital Still and Video Cameras
- Bluetooth Headsets
- Security and Surveillance
- Microphone Arrays
- Voice Control and Activation

FEATURES

- Ultra-High 70 dBA SNR
- -32 dBV Differential Sensitivity, -38 dBV Single-Ended Sensitivity
- ± 2 dB Sensitivity Tolerance
- Small 4 \times 3 \times 1.2 mm Surface-Mount Package
- Non-Inverted Signal Output
- Extended Frequency Response from 75 Hz to 20 kHz
- Enhanced RF Performance
- 285 μ A Current Consumption
- 124 dB SPL Acoustic Overload Point
- -77 dBV PSR
- Compatible with Sn/Pb and Pb-Free Solder Processes
- RoHS/WEEE Compliant

FUNCTIONAL BLOCK DIAGRAM



ORDERING INFORMATION

PART	TEMP RANGE	PACKAGING
ICS-40720	-40°C to $+85^{\circ}\text{C}$	13" Tape and Reel
EV_IC3-40720-FX	—	—

TABLE OF CONTENTS

General Description	1
Applications	1
Features	1
Functional Block Diagram	1
Ordering Information.....	1
Table of Contents.....	2
Specifications	3
Table 1. Electrical Characteristics	3
Absolute Maximum Ratings	4
Table 2. Absolute Maximum Ratings	4
ESD Caution	4
Soldering Profile.....	5
Table 3. Recommended Soldering Profile*	5
Pin Configurations And Function Descriptions	6
Table 4. Pin Function Descriptions.....	6
Typical Performance Characteristics.....	7
Theory Of Operation	8
Balanced Output	8
Single-Ended Operation	8
Applications Information	9
Codec Connection	9
Supporting Documents	10
Evaluation Board User Guide.....	10
Application Notes	10
PCB Design And Land Pattern Layout	11
PCB Material And Thickness	11
Handling Instructions.....	12
Pick And Place Equipment	12
Reflow Solder.....	12
Board Wash.....	12
Outline Dimensions.....	13
Ordering Guide	13
Revision History	14
Compliance Declaration Disclaimer	15

SPECIFICATIONS

TABLE 1. ELECTRICAL CHARACTERISTICS
 $T_A = 25^\circ\text{C}$, $V_{DD} = 1.5$ to 3.63 V, unless otherwise noted. Typical specifications are not guaranteed.

PARAMETER	CONDITIONS	MIN	TYP	MAX	UNITS	NOTES
PERFORMANCE						
Directionality			Omni			
Sensitivity	1 kHz, 94 dB SPL, differential	-34	-32	-30	dBV	
	1 kHz, 94 dB SPL, single-ended	-40	-38	-36	dBV	
Signal-to-Noise Ratio (SNR)	20 Hz to 20 kHz, A-weighted, differential		70		dB	
	20 Hz to 20 kHz, A-weighted, single-ended		70		dB	
Equivalent Input Noise (EIN)	20 Hz to 20 kHz, A-weighted		24		dB SPL	
Dynamic Range	Derived from EIN and maximum acoustic input		100		dB	
Frequency Response	Low frequency -3 dB point		75		Hz	1
	High frequency -3 dB point		>20		kHz	
Total Harmonic Distortion (THD)	105 dB SPL			0.6	%	
Power-Supply Rejection (PSR)	217 Hz, 100 mVp-p square wave superimposed on $V_{DD} = 1.8$ V, A-weighted		-77		dBV	
Power Supply Rejection Ratio (PSRR)	1 kHz, 100 mV p-p sine wave superimposed on $V_{DD} = 1.8$ V		-45		dB	
Acoustic Overload Point	10% THD		124		dB SPL	
POWER SUPPLY						
Supply Voltage (V_{DD})		1.5		3.63	V	
Supply Current (I_s)						
	$V_{DD} = 1.8$ V		285	350	μA	
	$V_{DD} = 3.3$ V			375	μA	
OUTPUT CHARACTERISTICS						
Output Impedance	Differential		750		Ω	
	Single-Ended, OUTPUT+		340		Ω	
	Single-Ended, OUTPUT-		410		Ω	
Output DC Offset	OUTPUT+		0.66		V	
	OUTPUT-		0.70		V	
Maximum Output Voltage	Differential, 124 dB SPL input		0.79		V rms	
	Single-Ended, 124 dB SPL input		0.40		V rms	
Noise Floor	20 Hz to 20 kHz, A-weighted, rms		-102		dBV	

Note 1: See Figure 3 and Figure 4.

ABSOLUTE MAXIMUM RATINGS

Stress above those listed as Absolute Maximum Ratings may cause permanent damage to the device. These are stress ratings only and functional operation of the device at these conditions is not implied. Exposure to the absolute maximum ratings conditions for extended periods may affect device reliability.

TABLE 2. ABSOLUTE MAXIMUM RATINGS

PARAMETER	RATING
Supply Voltage (V _{DD})	-0.3 V to +3.63 V
Sound Pressure Level	160 dB
Mechanical Shock	10,000 g
Vibration	Per MIL-STD-883 Method 2007, Test Condition B
Temperature Range	
Biased	-40°C to +85°C
Storage	-55°C to +150°C

ESD CAUTION



ESD (electrostatic discharge) sensitive device. Charged devices and circuit boards can discharge without detection. Although this product features patented or proprietary protection circuitry, damage may occur on devices subjected to high energy ESD. Therefore proper ESD precautions should be taken to avoid performance degradation or loss of functionality.

SOLDERING PROFILE

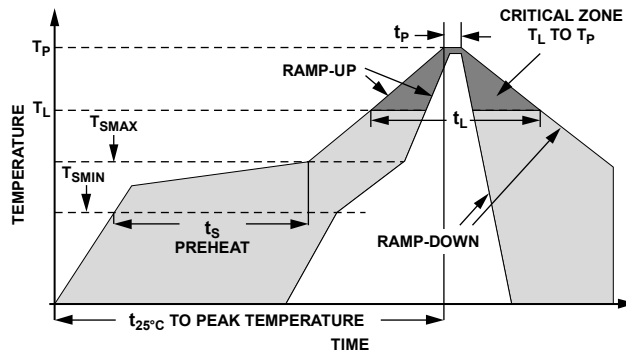


Figure 1. Recommended Soldering Profile Limits

TABLE 3. RECOMMENDED SOLDERING PROFILE*

PROFILE FEATURE		Sn63/Pb37	Pb-Free
Average Ramp Rate (T_L to T_P)		1.25°C/sec max	1.25°C/sec max
Preheat	Minimum Temperature (T_{SMIN})	100°C	100°C
	Maximum Temperature (T_{SMAX})	150°C	200°C
	Time (T_{SMIN} to T_{SMAX}), t_s	60 sec to 75 sec	60 sec to 75 sec
Ramp-Up Rate (T_{SMAX} to T_L)		1.25°C/sec	1.25°C/sec
Time Maintained Above Liquidous (t_l)		45 sec to 75 sec	~50 sec
Liquidous Temperature (T_L)		183°C	217°C
Peak Temperature (T_P)		215°C +3°C/-3°C	260°C +0°C/-5°C
Time Within +5°C of Actual Peak Temperature (t_p)		20 sec to 30 sec	20 sec to 30 sec
Ramp-Down Rate		3°C/sec max	3°C/sec max
Time +25°C ($t_{25^\circ\text{C}}$) to Peak Temperature		5 min max	5 min max

***Note:** The reflow profile in Table 3 is recommended for board manufacturing with InvenSense MEMS microphones. All microphones are also compatible with the J-STD-020 profile

PIN CONFIGURATIONS AND FUNCTION DESCRIPTIONS

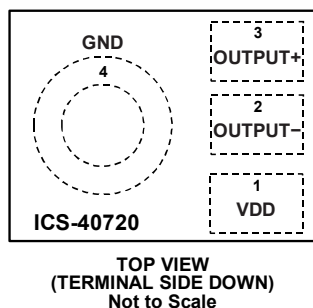


Figure 2. Pin Configuration

TABLE 4. PIN FUNCTION DESCRIPTIONS

PIN	NAME	FUNCTION
1	VDD	Power Supply
2	OUTPUT-	Analog Output Signal-
3	OUTPUT+	Analog Output Signal+
4	GND	Ground

TYPICAL PERFORMANCE CHARACTERISTICS

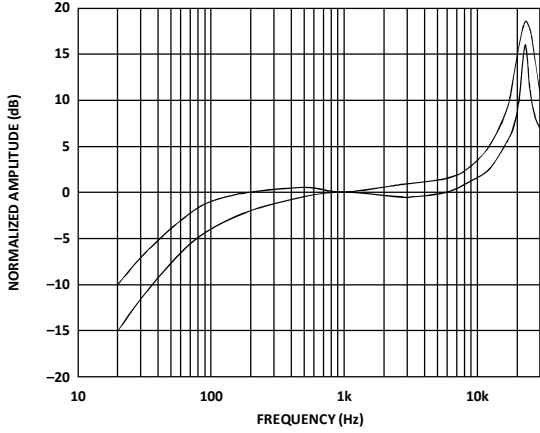


Figure 3. Frequency Response Mask

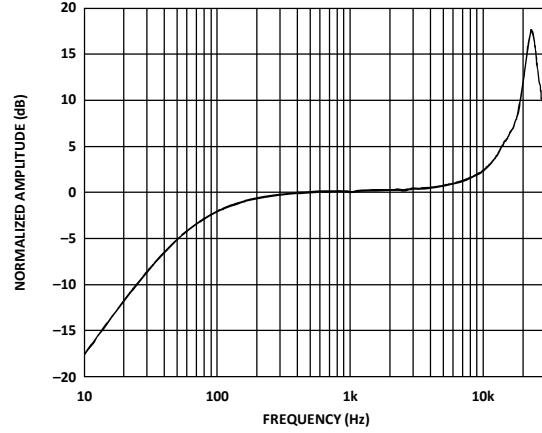


Figure 4. Typical Frequency Response (Measured)

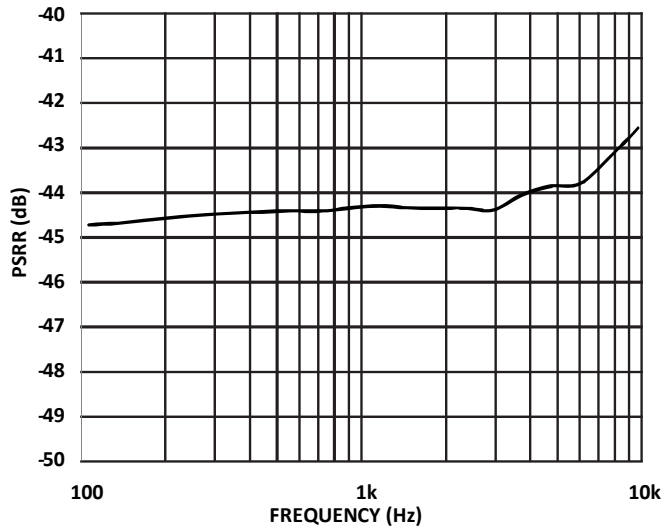


Figure 5. Power-Supply Rejection Ratio (PSRR) vs. Frequency

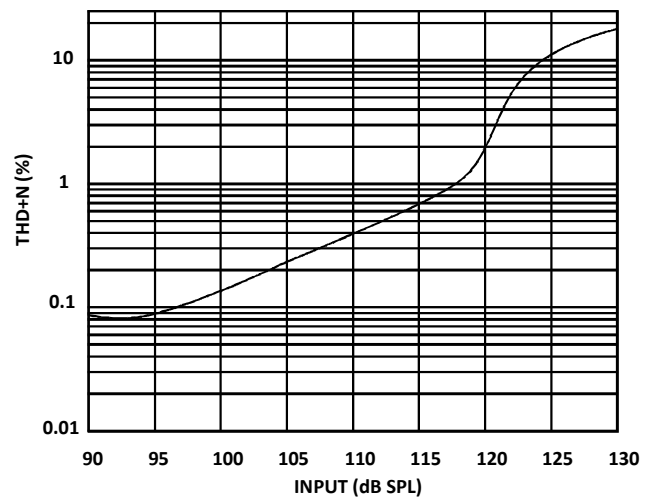


Figure 6. THD + N vs. Input Level

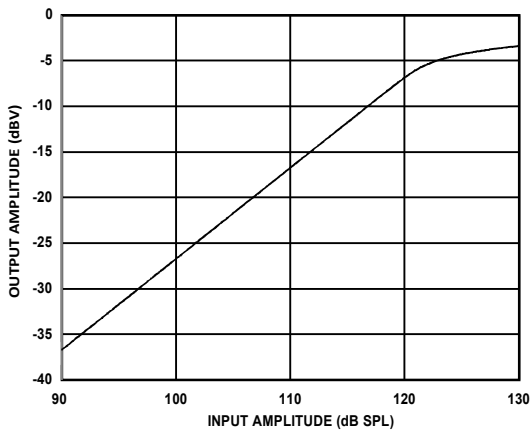


Figure 7. Linearity

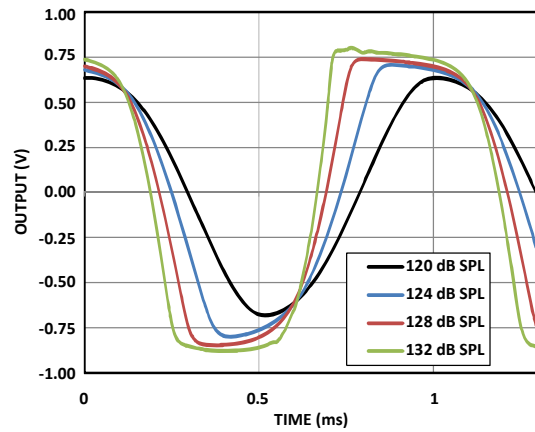


Figure 8 Clipping Characteristics

THEORY OF OPERATION

BALANCED OUTPUT

The ICS-40720 has a balanced differential output with 700 Ω output impedance. This configuration is compatible with a fully-differential codec input and provides the benefits of a balanced signal between the microphone and codec. A balanced analog audio signal provides rejection of common-mode noise that is present on both the positive and negative signals.

SINGLE-ENDED OPERATION

The ICS-40720 can be used as a single-ended microphone by using the signal from only one of the two output pins. In this configuration, the sensitivity will be 6 dB lower than the differential output, but with the same high SNR performance. Pin OUTPUT+ will output the non-inverted signal, relative to the acoustic input, while the OUTPUT- pin will output an inverted signal. The unused output pin should be left disconnected when the mic is used in single-ended mode; do not connect the unused pin to ground.

APPLICATIONS INFORMATION

CODEC CONNECTION

The ICS-40720 output can be connected to a dedicated codec microphone input (see Figure 9) or to a high input impedance gain stage. A 0.1 μF ceramic capacitor placed close to the ICS-40720 supply pin is used for testing and is recommended to adequately decouple the microphone from noise on the power supply. DC blocking capacitors are required at the outputs of the microphone.

These capacitors create a high-pass filter with a corner frequency at

$$f_c = 1/(2\pi \times C \times R)$$

where *R* is the input impedance of the codec.

A minimum value of 2.2 μF is recommended in Figure 9 because the input impedance of some codecs can be as low as 2 kΩ at their highest PGA gain setting, which results in a high-pass filter corner frequency at 37 Hz.

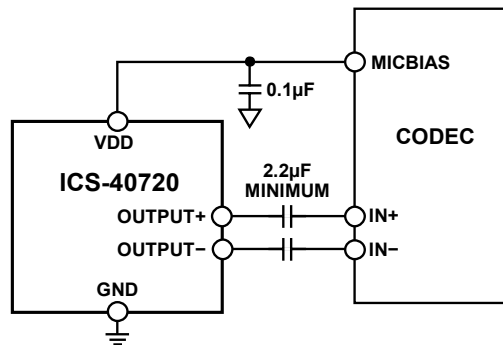


Figure 9. ICS-40720 Connected to a Differential-Input Codec

SUPPORTING DOCUMENTS

For additional information, see the following documents.

EVALUATION BOARD USER GUIDE

AN-000012, *Differential Analog Output MEMS Microphone Flex Evaluation Board*

APPLICATION NOTES

AN-100, *MEMS Microphone Handling and Assembly Guide*

AN-1003, *Recommendations for Mounting and Connecting the InvenSense Bottom-Ported MEMS Microphones*

AN-1112, *Microphone Specifications Explained*

AN-1124, *Recommendations for Sealing InvenSense Bottom-Port MEMS Microphones from Dust and Liquid Ingress*

AN-1140, *Microphone Array Beamforming*

AN-1165, *Op Amps for Microphone Preamp Circuits*

AN-1181, *Using a MEMS Microphone in a 2-Wire Microphone Circuit*

PCB DESIGN AND LAND PATTERN LAYOUT

Lay out the PCB land pattern for the ICS-40720 at a 1:1 ratio to the solder pads on the microphone package (see Figure 10.) Take care to avoid applying solder paste to the sound hole in the PCB. Figure 11 shows a suggested solder paste stencil pattern layout. The response of the ICS-40720 is not affected by the PCB hole size, as long as the hole is not smaller than the sound port of the microphone (0.75 mm, or 0.0295 inch, in diameter). A 1 mm (0.040 inch) diameter for the hole is recommended.

Align the hole in the microphone package with the hole in the PCB. The exact degree of the alignment does not affect the performance of the microphone as long as the holes are not partially or completely blocked.

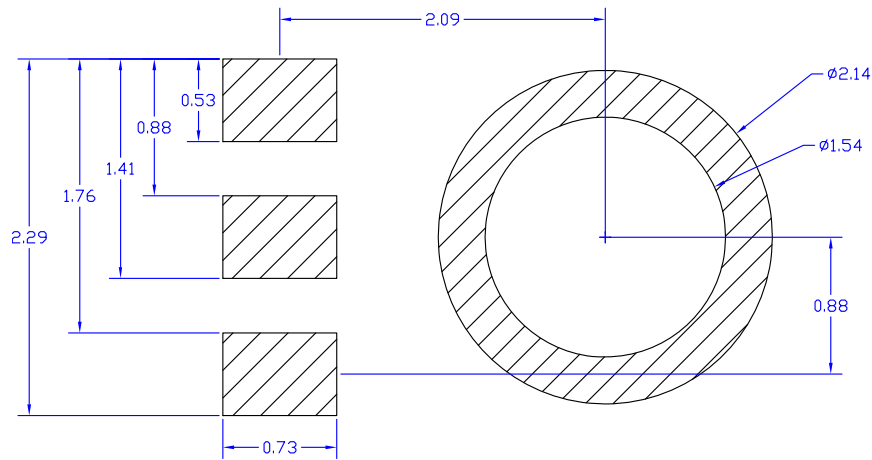
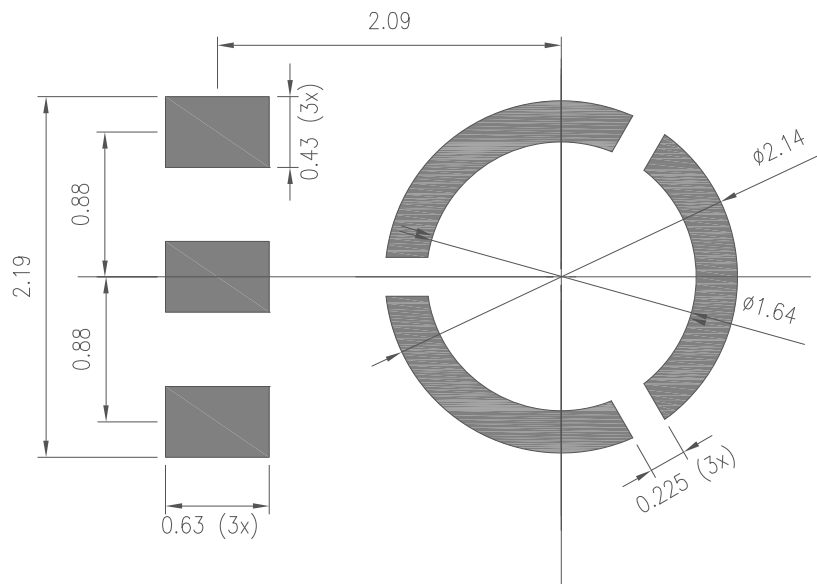


Figure 10. Suggested PCB Land Pattern Layout



Note : All units in mm

Figure 11. Suggested Solder Paste Stencil Pattern Layout

PCB MATERIAL AND THICKNESS

The performance of the ICS-40720 is not affected by PCB thickness. The ICS-40720 can be mounted on either a rigid or flexible PCB. A flexible PCB with the microphone can be attached directly to the device housing with an adhesive layer. This mounting method offers a reliable seal around the sound port while providing the shortest acoustic path for good sound quality.

HANDLING INSTRUCTIONS

PICK AND PLACE EQUIPMENT

The MEMS microphone can be handled using standard pick-and-place and chip shooting equipment. Take care to avoid damage to the MEMS microphone structure as follows:

- Use a standard pickup tool to handle the microphone. Because the microphone hole is on the bottom of the package, the pickup tool can make contact with any part of the lid surface.
- Do not pick up the microphone with a vacuum tool that makes contact with the bottom side of the microphone. Do not pull air out of or blow air into the microphone port.
- Do not use excessive force to place the microphone on the PCB.

REFLOW SOLDER

For best results, the soldering profile must be in accordance with the recommendations of the manufacturer of the solder paste used to attach the MEMS microphone to the PCB. It is recommended that the solder reflow profile not exceed the limit conditions specified in Figure 1 and Table 3.

BOARD WASH

When washing the PCB, ensure that water does not make contact with the microphone port. Do not use blow-off procedures or ultrasonic cleaning.

OUTLINE DIMENSIONS

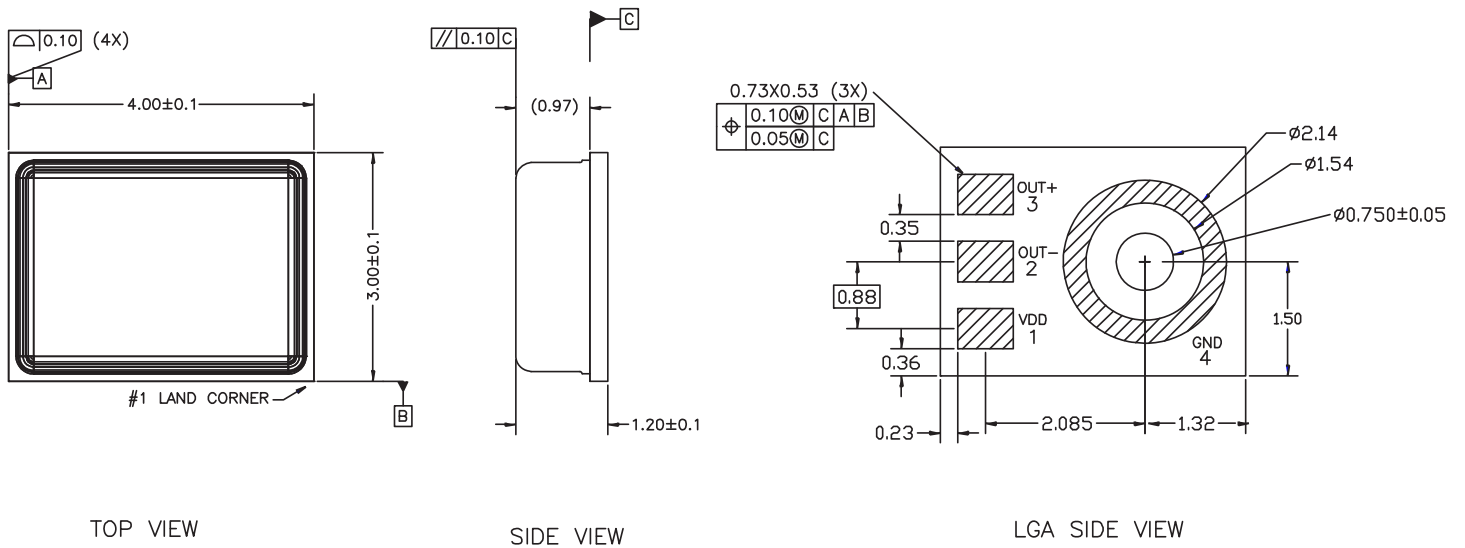


Figure 12. 4-Terminal Chip Array Small Outline No Lead Cavity
4 mm × 3 mm × 1.2 mm
Dimensions shown in millimeters

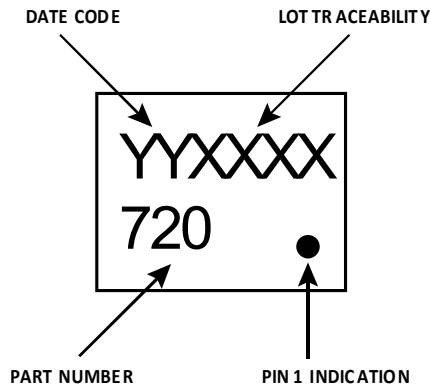


Figure 13. Package Marking Specification (Top View)

ORDERING GUIDE

PART	TEMP RANGE	PACKAGE	QUANTITY	PACKAGING
ICS-40720	-40°C to +85°C	4-Terminal LGA_CAV	5000	13" Tape and Reel
EV_ICs-40720-FX		Flex Evaluation Board		

REVISION HISTORY

REVISION DATE	REVISION	DESCRIPTION
2/20/2015	1.0	Initial Version
05/07/2015	1.1	Removed <i>Preliminary Technical Data</i> from headers
5/26/2015	1.2	Corrected tape and reel quantities
1/20/2016	1.3	Corrected Package Marking Specification
07/03/2019	1.4	Table 3 and Formatting

COMPLIANCE DECLARATION DISCLAIMER

InvenSense believes the environmental and other compliance information given in this document to be correct but cannot guarantee accuracy or completeness. Conformity documents substantiating the specifications and component characteristics are on file. InvenSense subcontracts manufacturing, and the information contained herein is based on data received from vendors and suppliers, which has not been validated by InvenSense.

This information furnished by InvenSense, Inc. ("InvenSense") is believed to be accurate and reliable. However, no responsibility is assumed by InvenSense for its use, or for any infringements of patents or other rights of third parties that may result from its use. Specifications are subject to change without notice. InvenSense reserves the right to make changes to this product, including its circuits and software, in order to improve its design and/or performance, without prior notice. InvenSense makes no warranties, neither expressed nor implied, regarding the information and specifications contained in this document. InvenSense assumes no responsibility for any claims or damages arising from information contained in this document, or from the use of products and services detailed therein. This includes, but is not limited to, claims or damages based on the infringement of patents, copyrights, mask work and/or other intellectual property rights.

Certain intellectual property owned by InvenSense and described in this document is patent protected. No license is granted by implication or otherwise under any patent or patent rights of InvenSense. This publication supersedes and replaces all information previously supplied. Trademarks that are registered trademarks are the property of their respective companies. InvenSense sensors should not be used or sold in the development, storage, production or utilization of any conventional or mass-destructive weapons or for any other weapons or life threatening applications, as well as in any other life critical applications such as medical equipment, transportation, aerospace and nuclear instruments, undersea equipment, power plant equipment, disaster prevention and crime prevention equipment.

©2019 InvenSense. All rights reserved. InvenSense, MotionTracking, MotionProcessing, MotionProcessor, MotionFusion, MotionApps, DMP, AAR, and the InvenSense logo are trademarks of InvenSense, Inc.



©2019 InvenSense. All rights reserved.