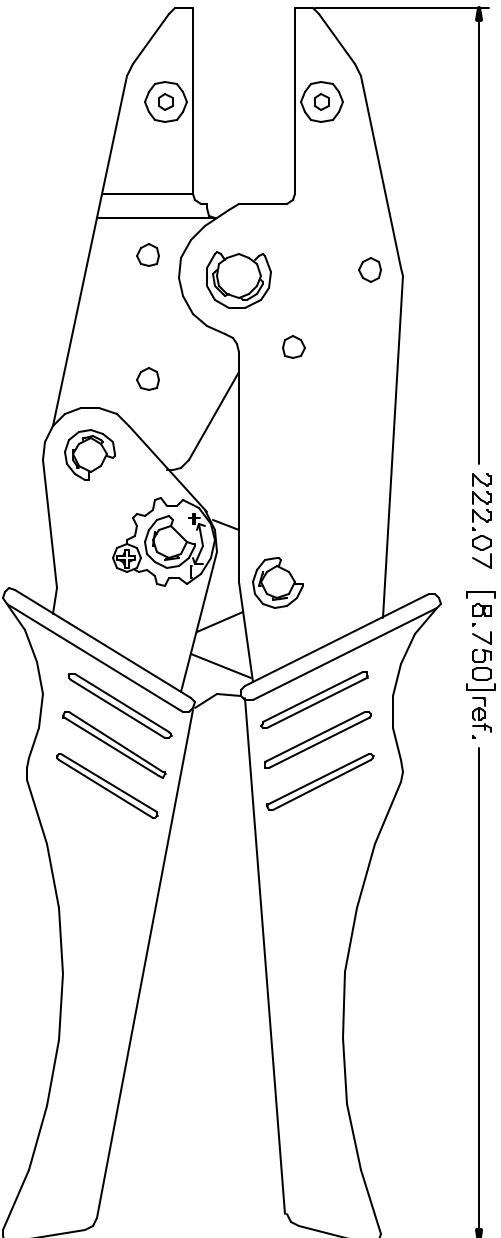
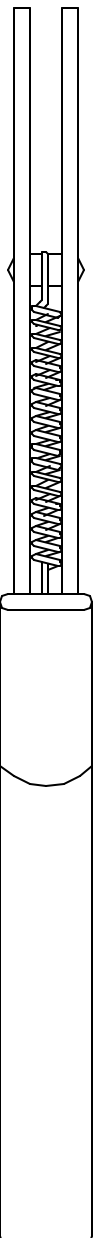


REV.	DATE	DESCRIPTION
A	07/29/04	UPDATE DRAWING FORMAT



NO.	DESCRIPTION	MATERIAL	FINISH	QTY
1				
2				
3				
4				
5				
6				
7				
8				

<p>ALL DIMENSIONS SHOWN UNLESS SPECIFIED IN MILLETER MEASUREMENTS IN [] ARE IN INCHES AND FOR CONVENTIONAL METRIC DATA.</p> <p>UNLESS OTHERWISE SPECIFIED TOLERANCES FOR MILLIMETER ARE:</p> <p>0.5 - 30mm ± 0.25mm</p> <p>30 - 120mm ± 0.50mm</p> <p>UNLESS OTHERWISE SPECIFIED TOLERANCES FOR INCHES ARE:</p> <p>.020 - .315 ± 0.007"</p> <p>.315 - 1.180 ± 0.015"</p> <p>1.180 - 4.724 ± 0.020"</p>	
<p>DO NOT SCALE DRAWING</p>	

APPROVALS	DATE
DRAWN G.R.S.	07/29/04
CHECKED	
ISSUED	
SHEET 1 OF 1	

CAD FILE	C:/DIE/47-10000.DWG
DWG. NO.	47-10000.DWG
REV.	A
SIZE	A
SCALE	NA

<p>Amphenol Connex</p> <p>PART DESCRIPTION</p> <p>AMPENCL CONNEX - CRIMP FRAME</p> <p>PART NO. 47-10000.DWG</p>	
--	--