

# TC EXTENDER PT-IQ-1S - Surge protection plug



2702257

<https://www.phoenixcontact.com/pc/products/2702257>

Please be informed that the data shown in this PDF document is generated from our online catalog. Please find the complete data in the user documentation. Our general terms of use for downloads are valid.



Replaceable surge protection module, only for Ethernet extender TC EXTENDER 4001 ETH-1S (2702253), 1 SHDSL port, two-wire protection for floating SHDSL cables, two-level protective circuit

## Commercial data

Item number	2702257
Packing unit	1 pc
Minimum order quantity	1 pc
Product key	DNC442
Catalog page	Page 349 (C-6-2019)
GTIN	4055626057729
Weight per piece (including packing)	110.068 g
Weight per piece (excluding packing)	48.68 g
Customs tariff number	85363090
Country of origin	DE

# TC EXTENDER PT-IQ-1S - Surge protection plug



2702257

<https://www.phoenixcontact.com/pc/products/2702257>

## Technical data

### Product properties

IEC test classification	B1
	C1
	C2
	C3
	D1
Type	Male
Product type	Replacement plug
Wire pairs per module	1

### Insulation characteristics

Overvoltage category	II
Pollution degree	2

### Electrical properties

Nominal voltage $U_N$	24 V DC
-----------------------	---------

### Connection data

Connection method	pluggable
-------------------	-----------

### Dimensions

Width	22 mm
Height	96 mm
Depth	80 mm

### Protective circuit

Direction of action	Line-Line & Line-Earth Ground
Nominal discharge current $I_n$ (8/20) $\mu$ s (line-line)	1 kA (C1, 300 pulses)
Nominal discharge current $I_n$ (8/20) $\mu$ s (line-ground)	1 kA
Pulse discharge current $I_{imp}$ (10/350) $\mu$ s (line-earth)	500 A (D1)
Nominal pulse current $I_{an}$ (10/1000) $\mu$ s (line-line)	100 A (B1)
Nominal pulse current $I_{an}$ (10/1000) $\mu$ s (line-earth)	100 A

### Environmental and real-life conditions

#### Ambient conditions

Degree of protection	IP20
----------------------	------

### Approvals

#### Conformity/Approvals

Noxious gas test	ISA-S71.04-1985 G3 Harsh Group A
------------------	----------------------------------

### Standards and regulations

# TC EXTENDER PT-IQ-1S - Surge protection plug



2702257

<https://www.phoenixcontact.com/pc/products/2702257>

Standards/specifications	IEC 61643-21
Standards/specifications	IEC 60664-1

## Mounting

Mounting type	Pluggable (slot)
---------------	------------------

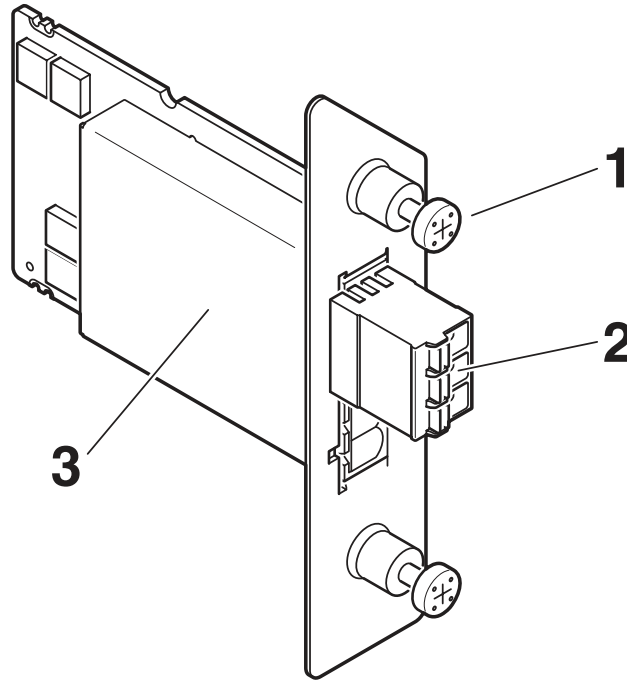
# TC EXTENDER PT-IQ-1S - Surge protection plug

2702257

<https://www.phoenixcontact.com/pc/products/2702257>

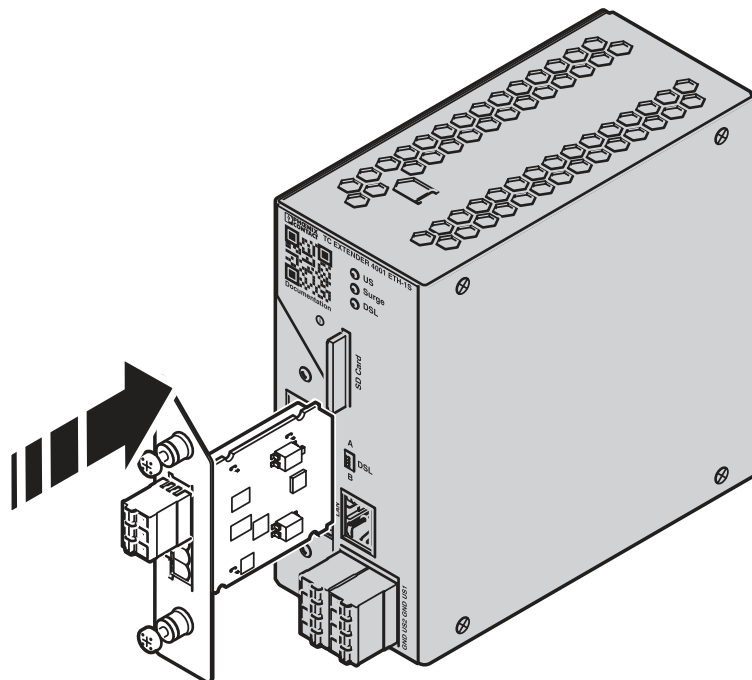
## Drawings

Schematic diagram



## Function elements

Schematic diagram



## Replacement of protection module

# TC EXTENDER PT-IQ-1S - Surge protection plug



2702257

<https://www.phoenixcontact.com/pc/products/2702257>

## Classifications

### ECLASS

ECLASS-11.0	27130807
ECLASS-13.0	27171592

### ETIM

ETIM 8.0	EC000943
----------	----------

### UNSPSC

UNSPSC 21.0	39121600
-------------	----------

# TC EXTENDER PT-IQ-1S - Surge protection plug



2702257

<https://www.phoenixcontact.com/pc/products/2702257>

## Environmental product compliance

China RoHS	Environmentally Friendly Use Period = 50 years For information on hazardous substances, refer to the manufacturer's declaration available under "Downloads"
------------	--

# TC EXTENDER PT-IQ-1S - Surge protection plug



2702257

<https://www.phoenixcontact.com/pc/products/2702257>

## Mandatory accessories

### TC EXTENDER 4001 ETH-1S - Ethernet extenders

2702253

<https://www.phoenixcontact.com/pc/products/2702253>



Managed Ethernet extender, point-to-point connections, data rates up to 15.3 Mbps, distances of up to 20 km on in-house copper cables, replaceable surge protection, 1 SHDSL port, 1 LAN port, diagnostics via Ethernet

---

Phoenix Contact 2023 © - all rights reserved  
<https://www.phoenixcontact.com>

PHOENIX CONTACT GmbH & Co. KG  
Flachsmarktstraße 8  
D-32825 Blomberg  
+49 (0) 5235-3 00  
[info@phoenixcontact.com](mailto:info@phoenixcontact.com)