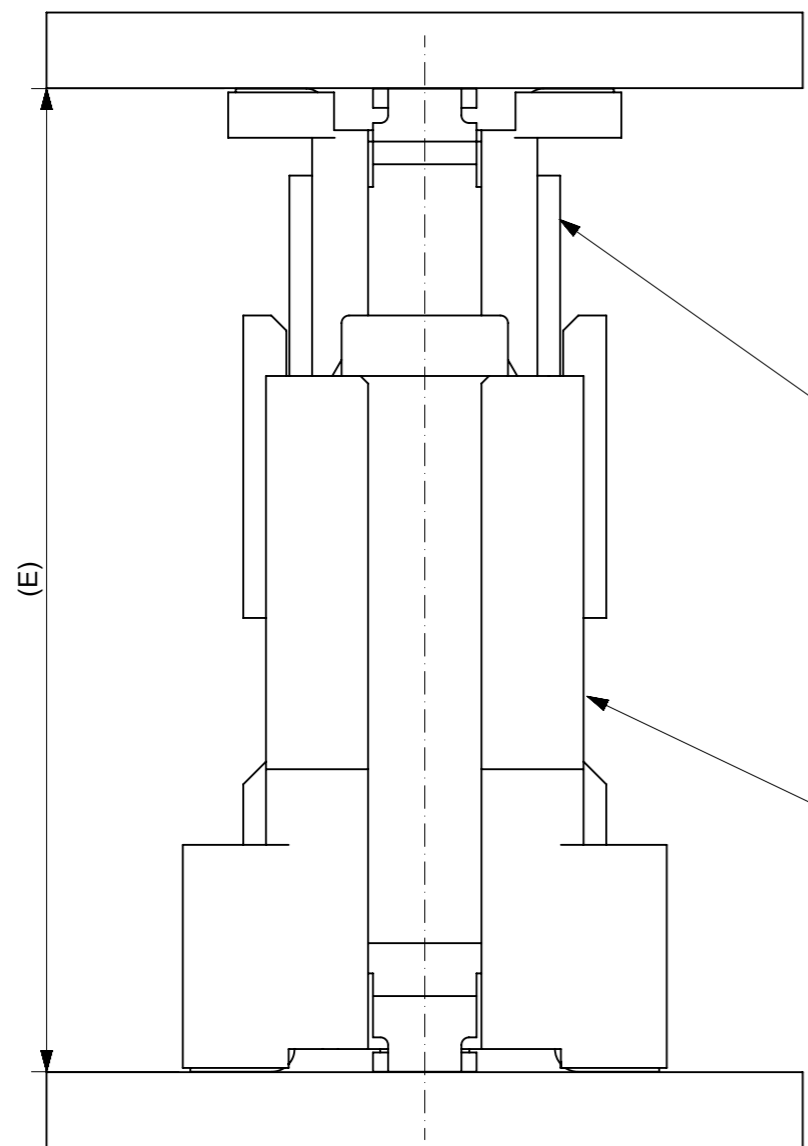


- 注) NOTES
- 材質 MATERIAL
 ハウジング: ガラス入りLCP、白色、UL94V-0
 HOUSING: G.F.LCP, WHITE, UL94V-0
 ターミナル: 銅合金 (t=0.2)
 TERMINAL: COPPER ALLOY
 吸着カバー: ステンレス (t=0.2)
 VACUUM COVER: STAINLESS STEEL
 補強金具: 銅合金 (t=0.25)
 FITTING NAIL: COPPER ALLOY
 - メッキ仕様 PLATING
 ターミナル接点部: 金メッキ 0.25 μmMIN.
 TERMINAL: CONTACT AREA: GOLD 0.25 μmMIN.
 半田付け部: 錫メッキ 1 μmMIN.
 SOLDER TAIL AREA: TIN 1 μmMIN.
 下地メッキ: ニッケルメッキ 2 μmMIN.
 UNDER-PLATING: NICKEL 2 μmMIN.
 補助金具: 錫メッキ 1.0マイクロメートル以上
 FITTING NAIL: OVER PLATING TIN 1.0 MICROMETER MINIMUM
 下地メッキ ニッケルメッキ 1.0マイクロメートル以上
 UNDER PLATING NICKEL 1.0 MICROMETER MINIMUM
 - テールのバラツキ寸法 TAIL COPLANARITY
 テール平坦度は、0.1 MAX.とする。
 TAILS COPLANARITY TO BE 0.1MAX.
 - エンボス対応済みの極数については、SD-52901-009を参照下さい。
 FOR THE EMBOSSED PACKAGE PRODUCTS, SEE SD-52901-009.
 - 本製品は 52901-***2 の鉛フリー品である。
 THIS PRODUCT IS LEAD FREE OF 52901-***2.

無し WITHOUT	67.77	66.17	62.865	71.37	52901-2074	-	200
	61.42	59.82	56.515	65.02	52901-1874	-	180
	55.07	53.47	50.165	58.67	52901-1674	-	160
	48.72	47.12	43.815	52.32	52901-1474	-	140
	42.37	40.77	37.465	45.97	52901-1274	-	120
	36.02	34.42	31.115	39.62	52901-1074	52901-1075	100
	32.85	31.25	27.94	36.45	52901-0974	52901-0975	90
有り WITH	29.67	28.07	24.765	33.27	52901-0874	52901-0875	80
	26.5	24.90	21.59	30.1	52901-0774	52901-0775	70
	23.32	21.72	18.415	26.92	52901-0674	52901-0675	60
	20.15	18.55	15.24	23.75	52901-0574	-	50
	16.97	15.37	12.065	20.57	52901-0474	52901-0475	40
	13.8	12.2	8.89	17.4	52901-0374	52901-0375	30
	10.62	9.02	5.715	14.22	52901-0274	52901-0275	20
ハウジングロック HSG LOCK	D	C	B	A	エンボス梱包 EMBOSSED PACKAGING	スティック梱包 STICK PACKAGING	極数 CKT
オーダー番号 ORDER NO.							

GENERAL TOLERANCES (UNLESS SPECIFIED)		THIS DRAWING CONTAINS INFORMATION THAT IS PROPRIETARY TO MOLEX ELECTRONIC TECHNOLOGIES, LLC AND SHOULD NOT BE USED WITHOUT WRITTEN PERMISSION	
10 UNDER	± 0.2	DIMENSION UNITS	SCALE
10 OVER 30 UNDER	± 0.25	mm	-
30 OVER	± 0.3	CURRENT REV DESC:	
ANGULAR	± 3 °	EC NO: 602629	
DRAFT WHERE APPLICABLE MUST REMAIN WITHIN DIMENSIONS		DRWN: RMIYAMOTO 2018/08/16	
		CHK'D: KSASAKI 2018/08/17	
		APPR: TKUSUHARA01 2018/08/17	
		INITIAL REVISION:	
		DRWN: MNINOMIYA 2004/03/23	
		APPR: MSASAO 2004/03/23	
		THIRD ANGLE PROJECTION	DRAWING
		⊕	A3-SIZE
		SERIES	52901
		MATERIAL NUMBER	SEE CHART
		CUSTOMER	GENERAL MARKET
		DOCUMENT NUMBER	SD-52901-008
		DOC TYPE	PSD
		DOC PART	001
		REVISION	F
		SHEET NUMBER	1 OF 2



55091 series
53625 series
53647 series
53649 series
53627 series
Plug

52885 series
52901 series
Receptacle

嵌合高さ一覧 Stacking Height variation			
	6	52885 series	55091 series
	7		53625 series
	8		53647 series
	9		53649 series
	10		53627 series
○	12	52901 series	55091 series
○	13		53625 series
○	14		53647 series
○	15		53649 series
○	16		53627 series
本図製品該当高さ Height Application	嵌合高さ E Stacking Height	リセプタクル Receptacle	プラグ Plug

GENERAL TOLERANCES (UNLESS SPECIFIED)		THIS DRAWING CONTAINS INFORMATION THAT IS PROPRIETARY TO MOLEX ELECTRONIC TECHNOLOGIES, LLC AND SHOULD NOT BE USED WITHOUT WRITTEN PERMISSION	
10 UNDER	± 0.2	DIMENSION UNITS	SCALE
10 OVER 30 UNDER	± 0.25	mm	-
30 OVER	± 0.3	CURRENT REV DESC:	
ANGULAR	± 3 °	EC NO: 602629	
DRAFT WHERE APPLICABLE MUST REMAIN WITHIN DIMENSIONS		DRWN: RMIYAMOTO 2018/08/16	
		CHK'D: KSASAKI 2018/08/17	
		APPR: TKUSUHARA01 2018/08/17	
		INITIAL REVISION:	
		DRWN: MNINOMIYA 2004/03/23	
		APPR: MSASAO 2004/03/23	
		THIRD ANGLE PROJECTION	
		DRAWING	
		SERIES	
		MATERIAL NUMBER	
		CUSTOMER	
		SHEET NUMBER	
		A3-SIZE	
		52901	
		SEE CHART	
		GENERAL MARKET	
		2 OF 2	

molex

0.635 PITCH B-TO-B CONN.
REC. HS'G COVER ASS'Y -LEAD FREE-

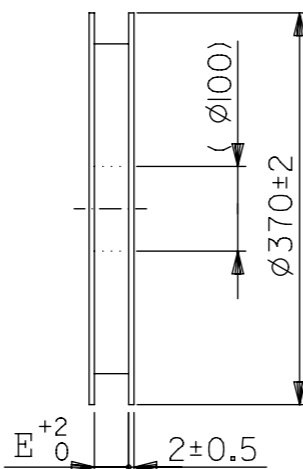
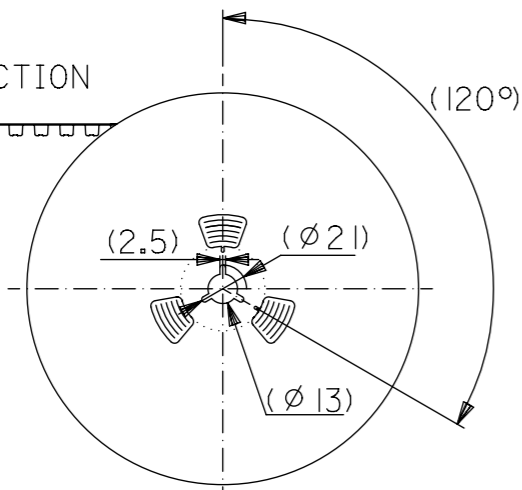
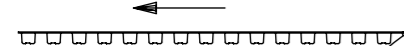
PRODUCT CUSTOMER DRAWING

DOCUMENT NUMBER	DOC TYPE	DOC PART	REVISION
SD-52901-008	PSD	001	F

DOCUMENT STATUS	P1	RELEASE DATE	2018/08/17 07:05:09
-----------------	----	--------------	---------------------

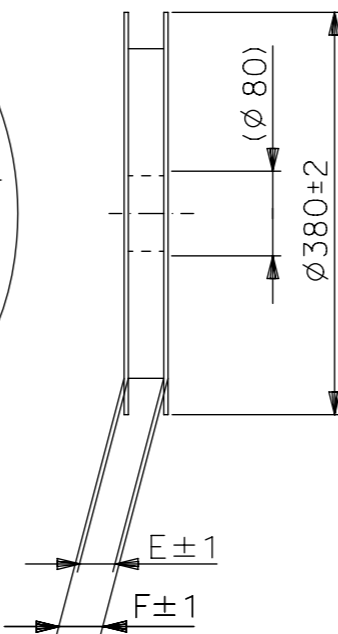
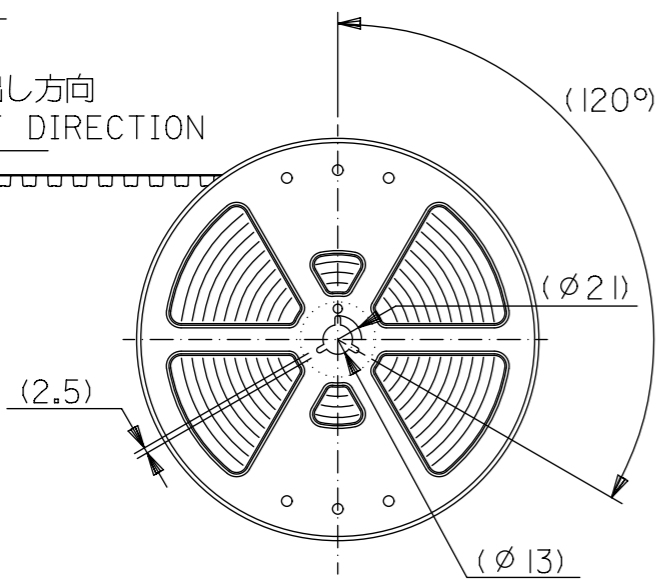
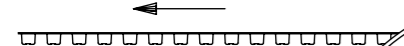
20 ~ 140CKT

引き出し方向
PULL OUT DIRECTION



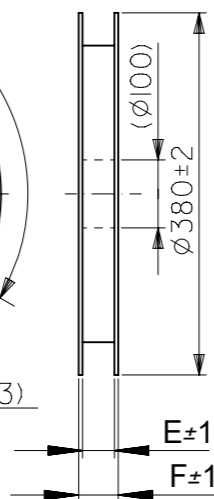
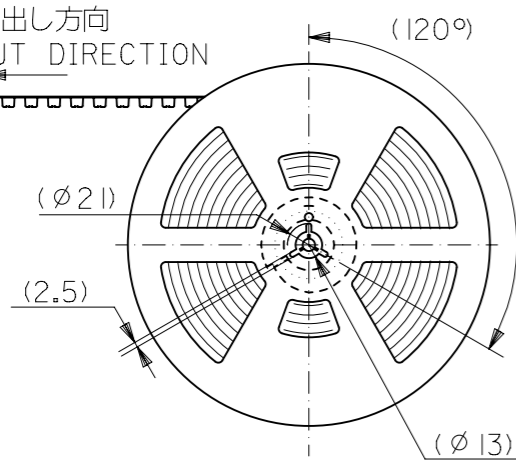
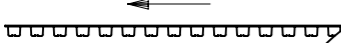
160CKT

引き出し方向
PULL OUT DIRECTION



180 ~ 200CKT

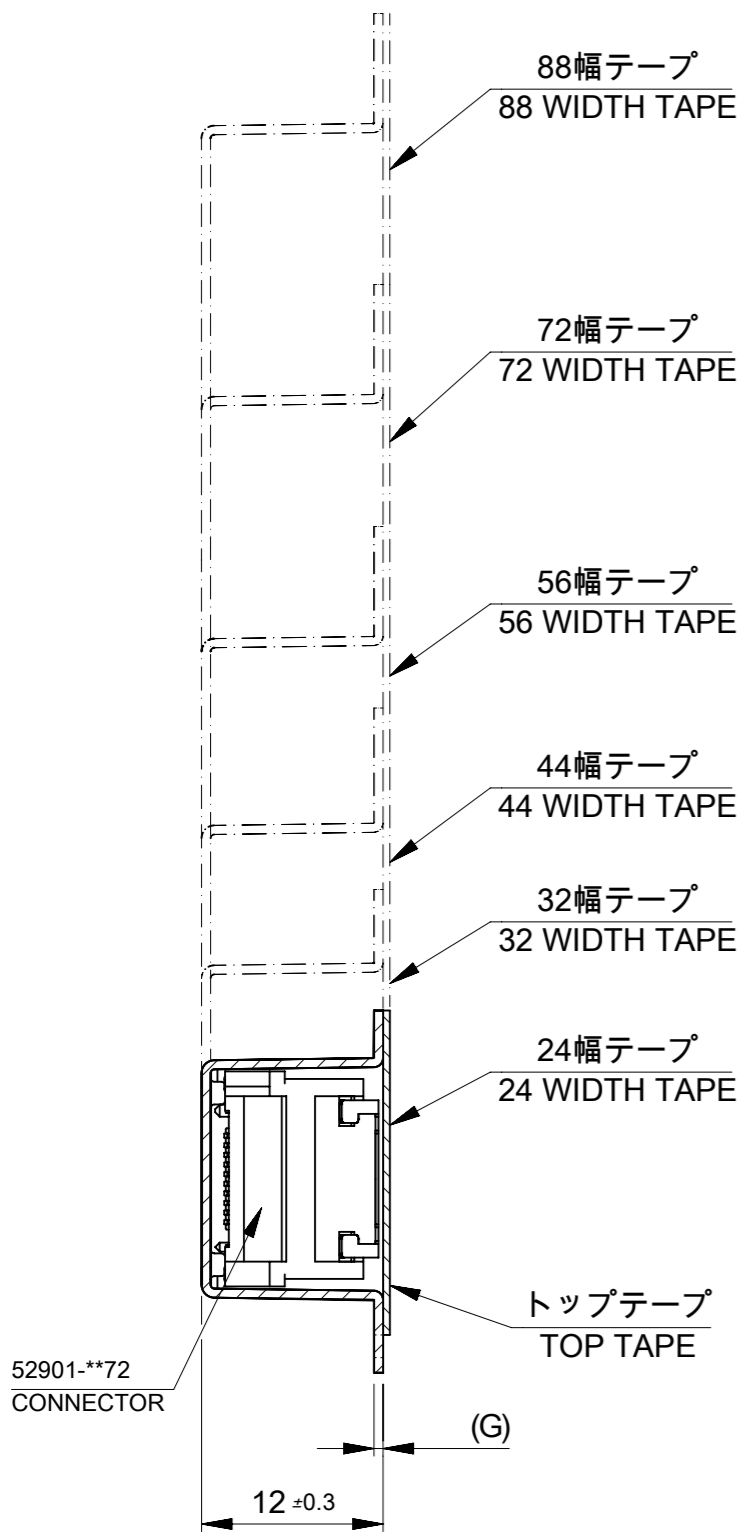
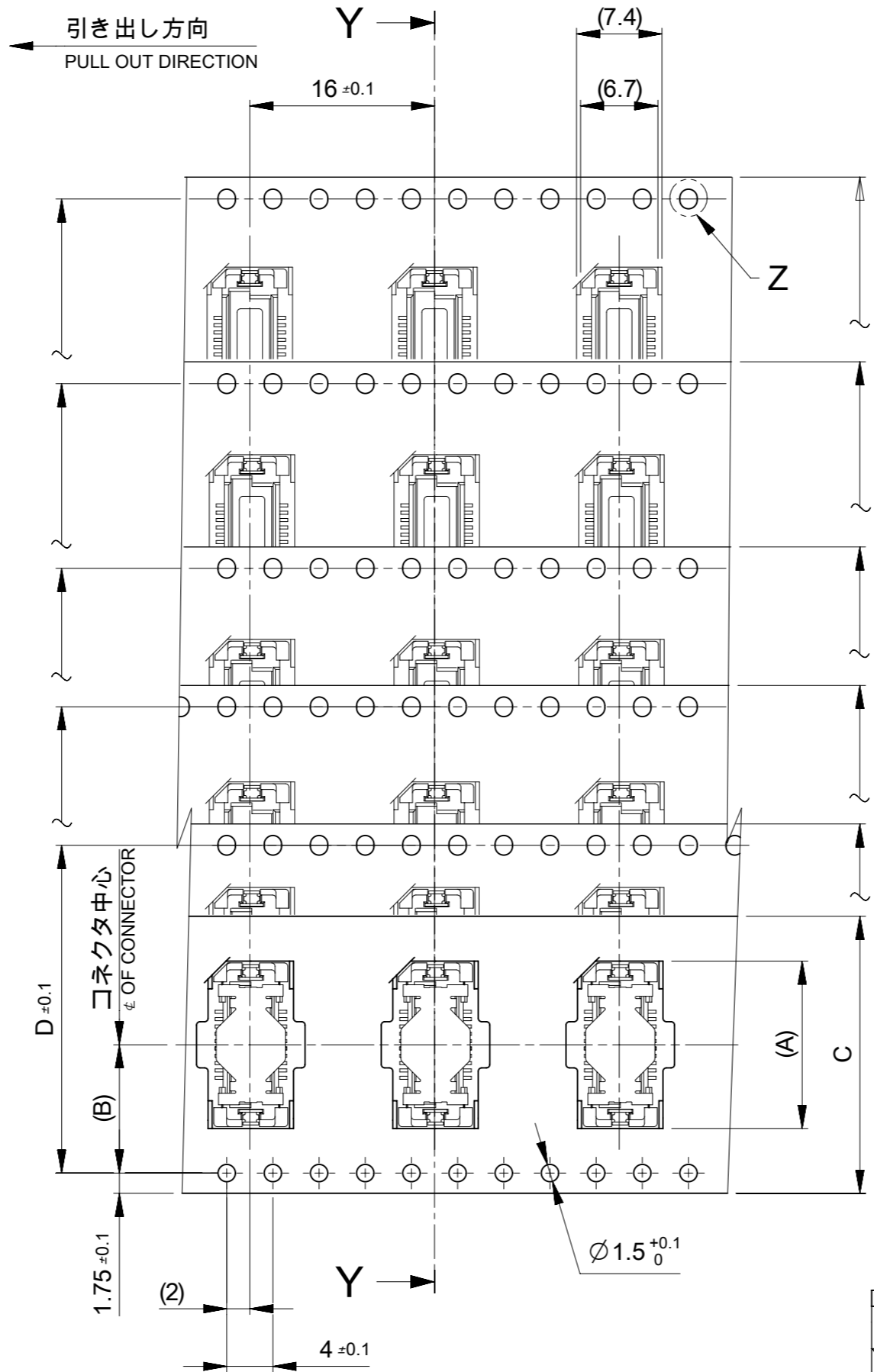
引き出し方向
PULL OUT DIRECTION



注)
NOTES

- 製品番号 52901-***72 の詳細寸法については、SD-52901-008 を参照下さい。
IN THE PACKAGE ,PART NO.52901-***72 DETAILED DIMENSIONS ,SEE SD-52901-008
- 梱包数量 : 440 個/リール
NUMBER OF CONNECTORS : 440 PCS/REEL
- リードテープ長さ
LEAD TAPE LENGTH
- 材料
MATERIAL
 キャリアテープ : ポリプロピレン (20 ~ 160CKT)
 ポリスチレン (180P , 200CKT)
 CARRIER TAPE : POLYPROPYLENE (20 ~ 160CKT)
 POLYSTYRRNE (180P , 200CKT)
 トップテープ : PET, PE, PEF
 TOP TAPE : PET , PE , PEF
 リール : 紙 (20 ~ 140CKT)
 ポリスチレン (160 ~ 200CKT)
 REEL : CARD BOARD (20 ~ 140CKT)
 POLYSTYRRNE (160 ~ 200CKT)
- 本製品は 52901-***4 の鉛フリー品である。
THIS PRODUCT IS LEAD FREE OF 52901-***4.

THIS DRAWING CONTAINS INFORMATION THAT IS PROPRIETARY TO MOLEX ELECTRONIC TECHNOLOGIES, LLC AND SHOULD NOT BE USED WITHOUT WRITTEN PERMISSION		CURRENT REV DESC:		molex	
DIMENSION UNITS	SCALE				
mm	4:1			EMBOSSD TAPE PACKAGE FOR 0.635MM PITCH B-TO-B CONN. REC-LEAD FREE-	
GENERAL TOLERANCES (UNLESS SPECIFIED)				PRODUCT CUSTOMER DRAWING	
ANGULAR TOL	± °			DOCUMENT NUMBER	
4 PLACES	±	EC NO: 649488		SD-52901-009	
3 PLACES	±	DRWN: JFURUKAWA 2020/11/16		DOC TYPE	
2 PLACES	±	CHK'D: HSHIMOMIYAMA 2020/11/19		PSD	
1 PLACE	±	APPR: SHOSHIKAWA 2020/11/19		DOC PART	
0 PLACES	±	INITIAL REVISION:		001	
DRAFT WHERE APPLICABLE MUST REMAIN WITHIN DIMENSIONS		DRWN: MNINOMIYA 2004/03/23		REVISION	
THIRD ANGLE PROJECTION		APPR: MSASAO 2004/03/23		D	
DRAWING		SERIES		MATERIAL NUMBER	
A3-SIZE		52901		SEE CHART	
SHEET NUMBER		CUSTOMER		GENERAL MARKET	
1 OF 2					



断面Y-Y
SECTION Y-Y

PS	PS	0.5	94	90	84.4	88±0.3	42.2	71.7	52901-2074	200
								65.4	52901-1874	180
			78	74				59.0	52901-1674	160
				72.4	68.4	72±0.3	34.2	52.6	52901-1474	140
								46.3	52901-1274	120
				56.4	52.4	56±0.3	26.2	39.9	52901-1074	100
								36.8	52901-0974	90
								33.6	52901-0874	80
				44.4	40.4	44±0.3	20.2	30.4	52901-0774	70
								27.2	52901-0674	60
								24.1	52901-0574	50
				32.4	28.4	32±0.3	14.2	20.9	52901-0474	40
								17.7	52901-0374	30
				24.4	-	24±0.3	11.5	14.5	52901-0274	20
リール REEL	キャリアテープ CARRIER TAPE	G	F	E	D	C キャリアテープ幅 CARRIER TAPE WIDTH	B	A	オーダー番号 ORDER NO.	極数 CKT

THIS DRAWING CONTAINS INFORMATION THAT IS PROPRIETARY TO MOLEX ELECTRONIC TECHNOLOGIES, LLC AND SHOULD NOT BE USED WITHOUT WRITTEN PERMISSION

mm SCALE 2:1

GENERAL TOLERANCES (UNLESS SPECIFIED)

ANGULAR TOL ± °

4 PLACES ±

3 PLACES ±

2 PLACES ±

1 PLACE ±

0 PLACES ±

DRAFT WHERE APPLICABLE MUST REMAIN WITHIN DIMENSIONS

THIRD ANGLE PROJECTION

DRAWING A3-SIZE

SERIES 52901

MATERIAL NUMBER SEE CHART

CUSTOMER GENERAL MARKET

SHEET NUMBER 2 OF 2

CURRENT REV DESC:

EC NO: 649488

DRWN: JFURUKAWA 2020/11/16

CHK'D: HSHIMOMIYA 2020/11/19

APPR: SHOSHIKAWA 2020/11/19

INITIAL REVISION:

DRWN: MNINOMIYA 2004/03/23

APPR: MSASAO 2004/03/23

DOCUMENT NUMBER SD-52901-009

DOC TYPE PSD

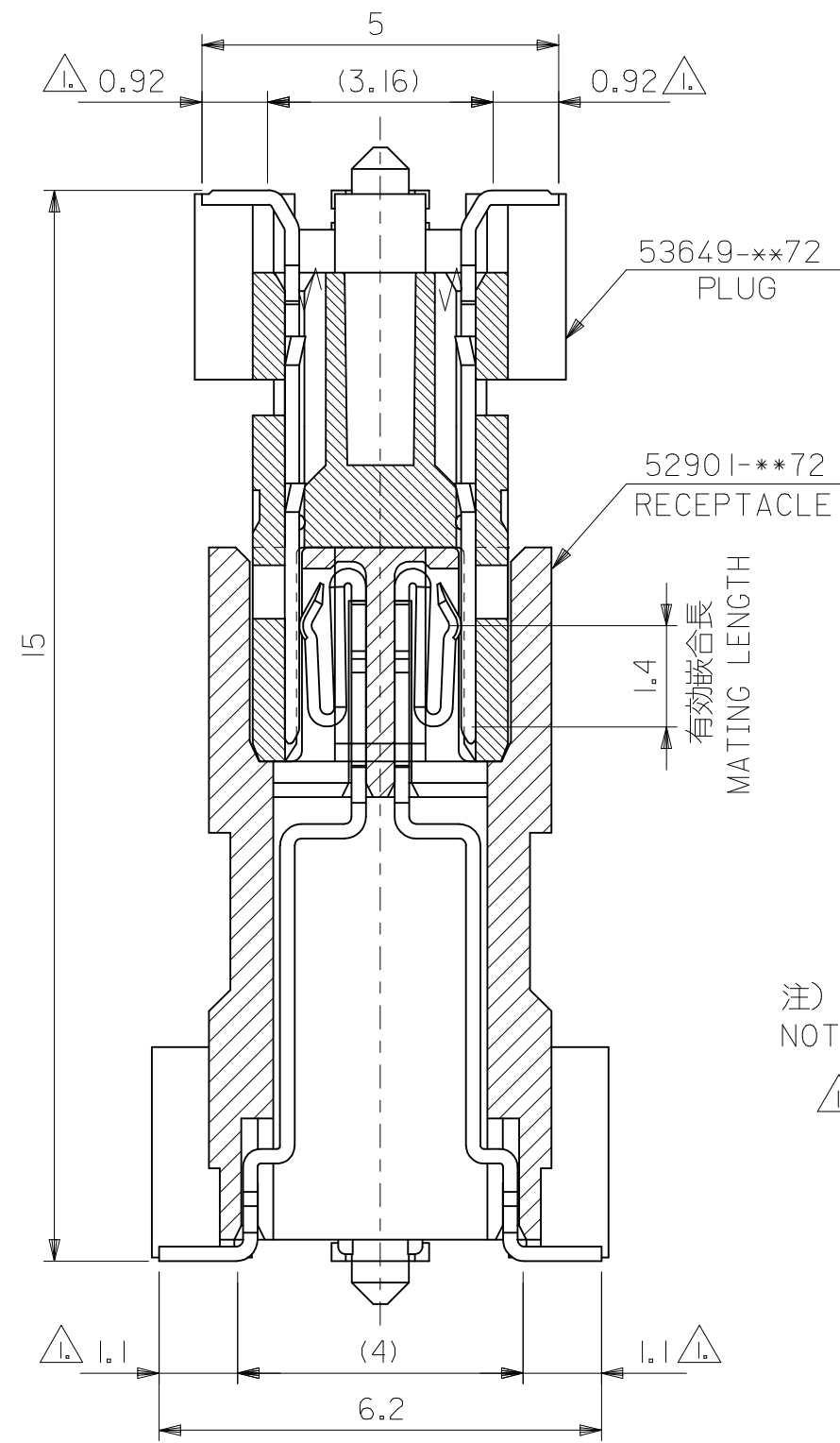
DOC PART 001

REVISION D

molex

EMBOSSED TAPE PACKAGE
FOR 0.635MM PITCH B-TO-B CONN. REC-LEAD
FREE-

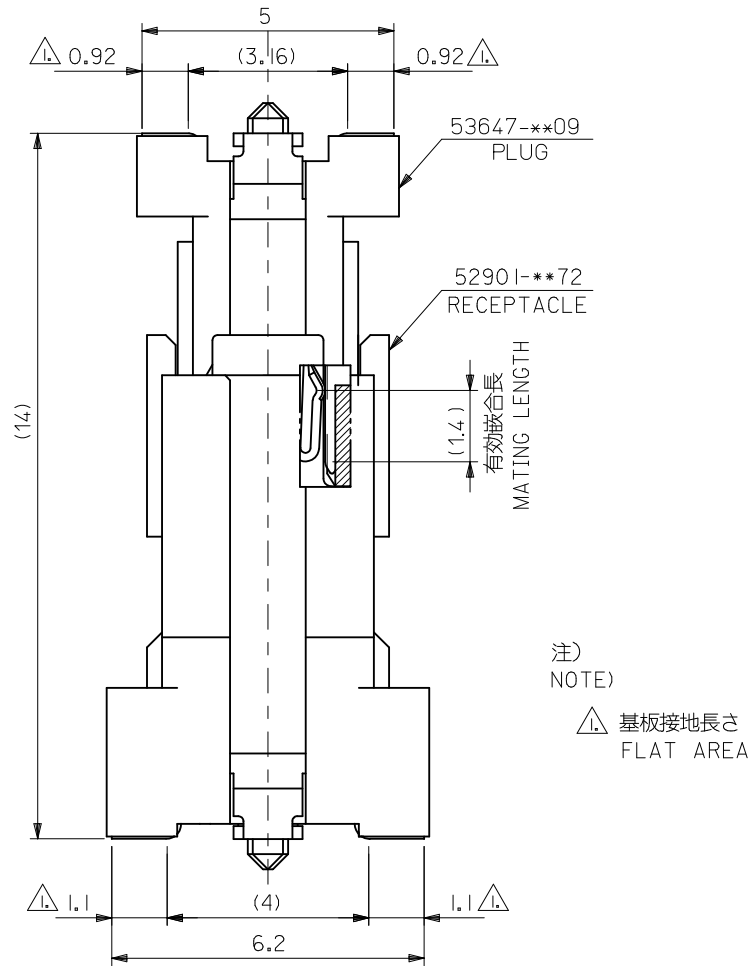
PRODUCT CUSTOMER DRAWING



注)
NOTE)

△ 基板接地長さ
FLAT AREA

RELEASED EC NO: J2005-3798 DRWN: KENSUZUKI CH'KD: NUKITA APPR: NUKITA	DESCRIPTION 2005/06/20 2005/06/20 2005/06/23	GENERAL TOLERANCES (UNLESS SPECIFIED)		DIMENSION STYLE MM ONLY		SCALE 10:1	DESIGN UNITS METRIC	THIRD ANGLE PROJECTION		
		10 UNDER	± 0.2	DRAWN BY KENSUZUKI	DATE 2005/06/20	TITLE 0.635 PITCH B TO B CONN. 52901/53649 SERIES MATING CROSS SECTION				
		10 OVER 30 UNDER	± 0.25	CHECKED BY NUKITA	DATE 2005/06/20					
		30 OVER	± 0.3	APPROVED BY NUKITA	DATE 2005/06/20	MOLEX INCORPORATED				
		ANGULAR ± 3 °		MATERIAL NO. SEE DRAWING						
DRAFT WHERE APPLICABLE MUST REMAIN WITHIN DIMENSIONS		THIS DRAWING CONTAINS INFORMATION THAT IS PROPRIETARY TO MOLEX INCORPORATED AND SHOULD NOT BE USED WITHOUT WRITTEN PERMISSION								



RELEASED EC NO: J2012-1293 DRWN:TKAIHO CHKD:TASAKAWA APPR:MSASAO 2012/04/09 2012/04/10 2012/04/13	GENERAL TOLERANCES (UNLESS SPECIFIED)		DIMENSION STYLE MM ONLY	SCALE 10:1	DESIGN UNITS METRIC	THIRD ANGLE PROJECTION
	10 UNDER	± 0.2	DRAWN BY TKAIHO	DATE 2012/04/09	TITLE 0.635 BB CONN. 52901/53647 SERIES MATING DRAWING molex DOCUMENT NO. SD-52901-017 SHEET NO. 1 OF 1	
	10 OVER 30 UNDER	± 0.25	CHECKED BY TASAKAWA	DATE 2012/04/10		
	30 OVER	± 0.3	APPROVED BY MSASAO	DATE 2012/04/13		
	ANGULAR	± 3 °	MATERIAL NO.	SEE DRAWING		
DRAFT WHERE APPLICABLE MUST REMAIN WITHIN DIMENSIONS		SIZE A3	THIS DRAWING CONTAINS INFORMATION THAT IS PROPRIETARY TO MOLEX INCORPORATED AND SHOULD NOT BE USED WITHOUT WRITTEN PERMISSION			