

REFERENCE SPECIFICATIONS

-NFC 93425 (in compliance with HE 507)

PHYSICAL CHARACTERISTICS

- INSULATOR MATERIAL: THERMOPLASTIC ,UL94V0
- CONTACT MATERIAL: BRASS
- ACCESSORIES: BRASS
- SHELLS: STEEL

ELECTRICAL CHARACTERISTICS

- NOMINAL CURRENT: 40A
- CONTACT RESISTANCE: <= 7.3 mOhms
- CONTACT/CONTACT : >=1000 V
- CONTACT/GROUND : >=1200 V
- INSULATION RESISTANCE: >=5000 MOhms

- CLIMATIC CATEGORY: 55/125/21
TEMPERATURE RANGE -55°C TO +125°C
DAMP HEAT STEADY STATE 21 DAYS
SALT SPRAY 24 HOURS

- RETENTION AGAINST TORQUE: - Threaded insert: 0.7 N.m minimum
- Female screw : 0.5 N.m minimum

PRESS FIT PERFORMANCES

PRESS FIT CONTACTS	
INSERTION FORCE	<= 200 N Average insertion 160N
EXTRACTION FORCE	>= 30 N

NOTE RoHS INFORMATION

- The "LF" products meet european union Directives and other country regulations as described in GS-22-008.
- Termination plating spec:
 - Ni 1.27µm+Sn 0.5 to 1.5µ(pure bright)
- Active area plating spec:
 - Ni + Gold
- Shell plating :2 to 4µm Cu + Ni + 3 to 10µm Sn(pure bright)
- Accessories: Sn pure bright + nickel
- Packaging spec: See GS-14-920

DBL5W5P80C5M40LF

Series

Shell size: **E A B C**
(see sheet 3)

Front accessory definition
(see sheet 2)

- blank :without accessory
- L** :threaded insert M3
- O** :threaded insert UNC 4-40
- V** :female screw UNC 4-40

Layout of contacts (see sheet 3)

Contacts

P :Pin

Termination type

80C Right angle/US foot print

Plating

- 5** 200 matings/unmatings
- 6** 500 matings/unmatings

PCB accessories definition(see sheet 2)

- M** Metal brackets
- A** Without accessory

Power contacts

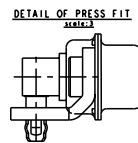
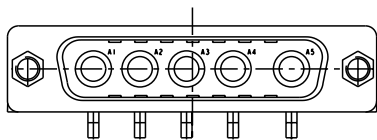
40 :Fitted with power contacts 40 Amp.

See note RoHS

TABLE 1:PCB HOLE DIAMETERS

P.C.B HOLE DEFINITION	SnPb holes for CONTACTS		Sn holes for CONTACTS		holes ACCESSORIES
	DRILL DIAMETER	Ø3.22 REF(NOTE 3)	Ø3.22 REF(NOTE 3)	Ø3.19-3.25	
(NOTE 1 AND 2)	DRILLED HOLE	Ø3.19-3.25	Ø3.19-3.25	Ø3.19-3.25	Ø3.10±0.10
	COPPER PLATING	25µ MINI (RECOMMENDED 50µ MAXI)	25µ MINI (RECOMMENDED 50µ MAXI)	25µ MINI (RECOMMENDED 50µ MAXI)	
	TIN-LEAD PLATING	15µ MAXI (RECOMMENDED 5µ MINI)			
	TIN PLATING		0.8 to 1,2µ		
	FINISH HOLE (AFTER REFLOW)	Ø 3.02-3.20	Ø3.08-3.20		

- NOTE-1:THESE DIMENSIONS MUST BE RESPECT TO SECURE PRESS-FIT PIN PERFORMANCES.
- NOTE-2: ACCORDING TO IEC-352-5 SPEC.
- NOTE-3: MAJOR REQUIREMENT FOR PRESS FIT PIN PERFORMANCE



5W5 FOR EXAMPLE

www.fciconnect.com		surface	tolerance std	projection	mm
		ISO 1302	ISO 406 ISO 1101	⊕	
		TOLERANCES UNLESS OTHERWISE SPECIFIED			
Dr	M PESSON	11/10/05	ANGULAR	LINEAR	size A2 Scale 2:1
Eng	11/10/05	P LEGARE	0.XX	±0.3	
Chr			0.XXX	±0.1	
Appr			0.XXX	±0.05	ECN LS07-0273
		Product family		- Spec ref	
FCI		SUB MALE DW US foot print		ang no	C01-8639-2320
		full power right angled solder		Rev.	C
		catalog no			sheet 1 of 5

rev	ccn no	dr	date
B	LS06-0208	LGO	2006/12/13
C	LS07-0273	LGO	2007/11/05
-	-	-	-
-	-	-	-
-	-	-	-
-	-	-	-

1 2 3 4 5 6 7 8

A

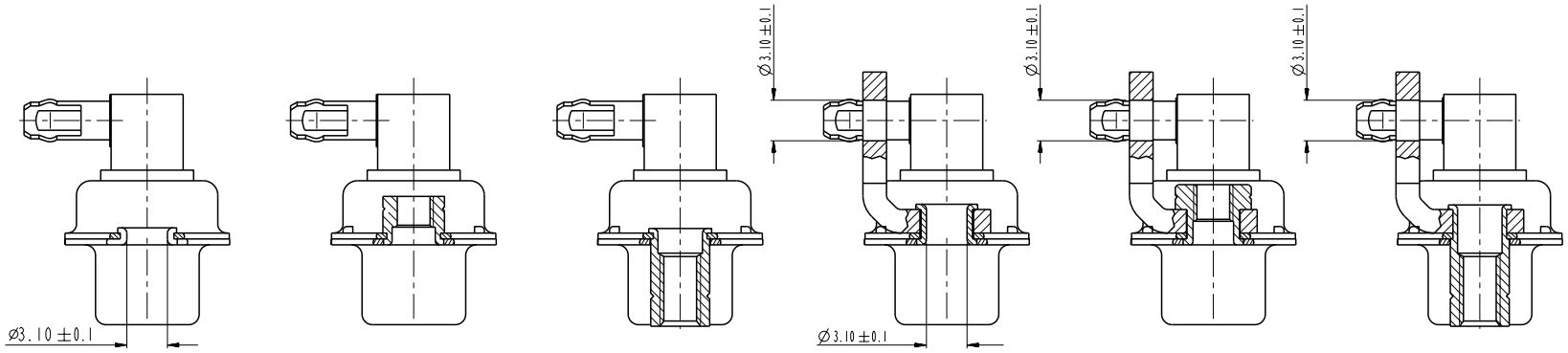
B

C

D

E

F



FRONT ACCESSORY	Blank Without	L insert M3 O insert UNC 4.40	V insert UNC 4.40	Blank Without	L insert M3 O insert UNC 4.40	V insert UNC 4.40
PCB ACCESSORIES	A Without	A Without	A Without	M Metal brackets	M Metal brackets	M Metal bracket

Copyright FCI.
FCI

www.fciconnect.com		surface ISO 1302	tolerance std ISO 406 ISO 1101	projection mm
		TOLERANCES UNLESS OTHERWISE SPECIFIED		
Dr M PESSON	11/10/05	ANGULAR	0.X ±0.3	size A2
Eng 11/10/05	P LEGARE	LINEAR	0.XX ±0.1	Scale 2:1
Chr		0° ±2°	0.XXX ±0.05	ECN LS07-0273
Appr		Product family		Spec ref
FCI		SUB MALE DW US foot print full power right angled solder		Rev. C
catalog no		ang no	C01-8639-2320	sheet 2 of 5

SCALE: 4

REV 7 - 2008-04-17

1 2 3 4 5 6 7 8

PART NUMBER	AMPS	MATINGS/ UNMATINGS	FRONT ACCESSORY	PCB ACCESSORIES
D*xWxP80C5A40LF	40	200	without	without
D*LxWxP80C5A40LF	40	200	insert M3	without
D*OxWxP80C5A40LF	40	200	insert UNC 4.40	without
D*VxWxP80C5A40LF	40	200	female screw UNC 4.40	without
D*xWxP80C5M40LF	40	200	without	metal bracket
D*LxWxP80C5M40LF	40	200	insert M3	metal bracket
D*OxWxP80C5M40LF	40	200	insert UNC 4.40	metal bracket
D*VxWxP80C5M40LF	40	200	female screw UNC 4.40	metal bracket

shell size # LAYOUTS
xWx

E 2V2
A 3V3
A 3W3
B 5W5
C 8W8

PART NUMBER	AMPS	MATINGS/ UNMATINGS	FRONT ACCESSORY	PCB ACCESSORIES
D*xWxP80C6A40LF	40	500	without	without
D*LxWxP80C6A40LF	40	500	insert M3	without
D*OxWxP80C6A40LF	40	500	insert UNC 4.40	without
D*VxWxP80C6A40LF	40	500	female screw UNC 4.40	without
D*xWxP80C6M40LF	40	500	without	metal bracket
D*LxWxP80C6M40LF	40	500	insert M3	metal bracket
D*OxWxP80C6M40LF	40	500	insert UNC 4.40	metal bracket
D*VxWxP80C6M40LF	40	500	female screw UNC 4.40	metal bracket

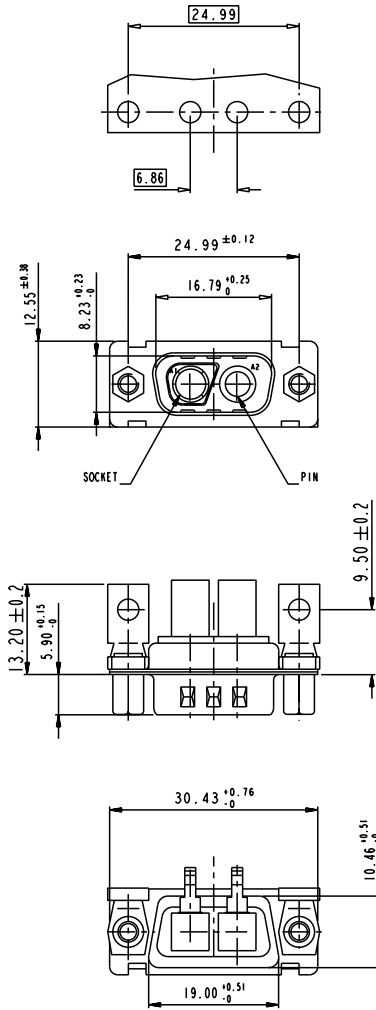


Copyright FCI.

www.fciconnect.com		surface ISO 1302	tolerance std ASME Y14.5M 2009 ISO 1101	projection 1st angle	mm
TOLERANCES UNLESS OTHERWISE SPECIFIED		0.X ±0.3		size A2	Scale 2:1
Dr M PESSON	11/10/05	ANGULAR	0.XX ±0.1	ECN	LS07-0273
Eng 11/10/05	P LEGARE	LINEAR	0.XXX ±0.05	Product family	Spec ref
Chr		0° ±2°			
Appr					
FCI		SUB MALE DW US foot print		deg no	C01-8639-2320
		full power right angled solder			Rev. C
catalog no				Y	sheet 3 of 5

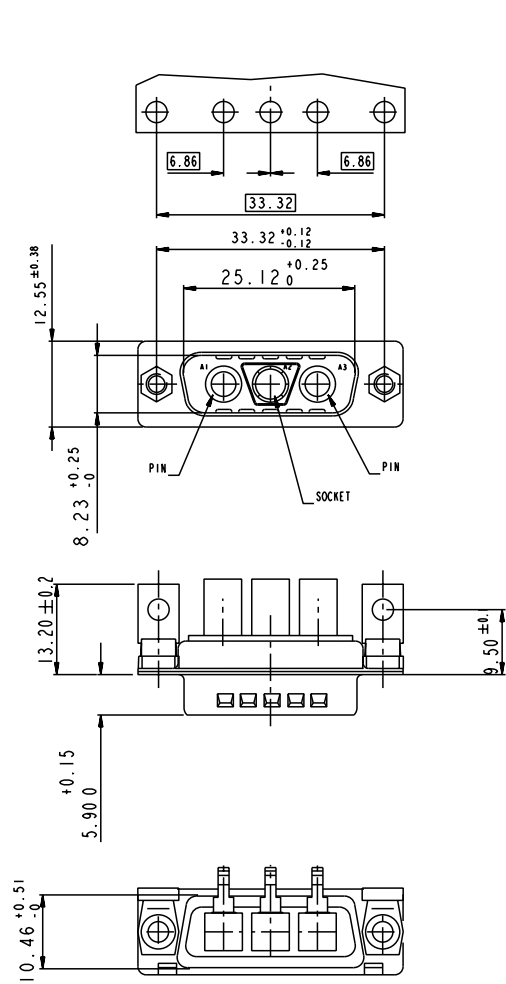
2V2

LAYOUT AND CONNECTOR DIMENSIONS
For PCB hole diameters see table I sheet I



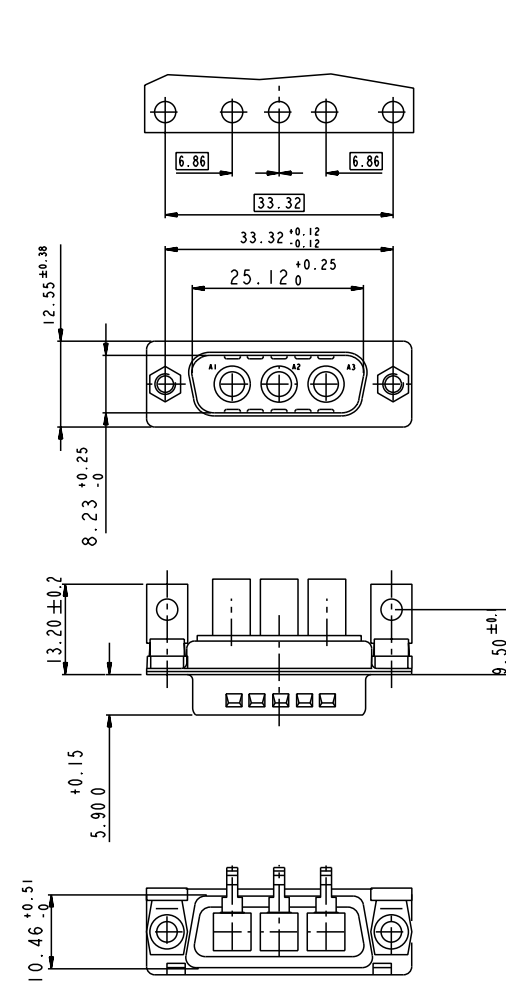
3V3

LAYOUT AND CONNECTOR DIMENSIONS
For PCB hole diameters see table I sheet I

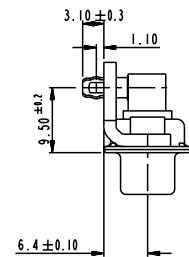


3W3

LAYOUT AND CONNECTOR DIMENSIONS
For PCB hole diameters see table I sheet I



SIDE VIEW FOR ALL LAYOUTS



Copyright FCI.

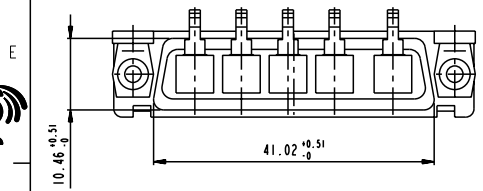
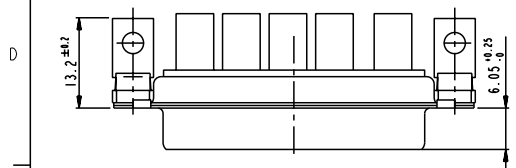
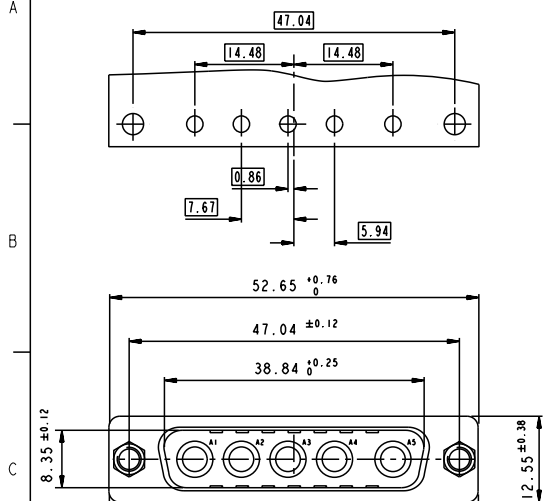
www.fciconnect.com		surface ISO 1302	tolerance std ISO 406 ISO 1101	projection mm
		TOLERANCES UNLESS OTHERWISE SPECIFIED		
Dr M PESSON	11/10/05	ANGULAR	0.X ± 0.3	size A2
Eng 11/10/05	P LEGARE	LINEAR	0.XX ± 0.1	Scale 2:1
Chr		0° ± 2°	0.XXX ± 0.05	ECN LS07-0273
Appr		Product family		Spec ref
FCI		SUB MALE DW US foot print full power right angled solder		Rev. C
catalog no		- Y		sheet 4 of 5

1 2 3 4 5 6 7 8

5W5

LAYOUT AND CONNECTOR DIMENSIONS

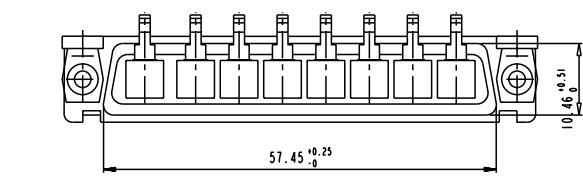
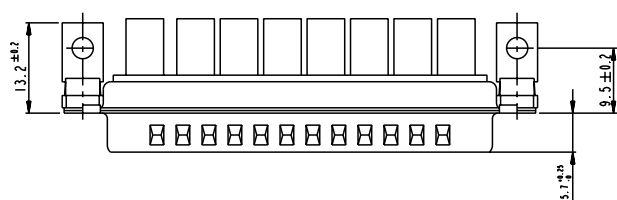
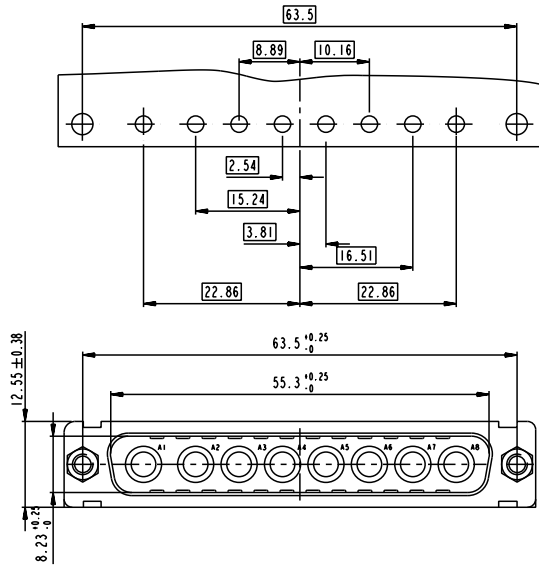
For PCB hole diameters see table 1 sheet 1



8W8

LAYOUT AND CONNECTOR DIMENSIONS

For PCB hole diameters see table 1 sheet 1



Copyright FCJ

www.fciconnect.com		surface	ISO 1302	tolerance std	ISO 406 ISO 1101	projection	mm
		TOLERANCES UNLESS OTHERWISE SPECIFIED					
Dr	M PESSON	11/10/05	ANGULAR	0.X	±0.3	size	A2
Eng	11/10/05	P LEGARE	LINEAR	0.XX	±0.1	Scale	2:1
Chr			0° ±2°	0.XXX	±0.05	ECN	LS07-0273
Appr			Product family	- Spec ref			
FCJ		SUB MALE DW US foot prin			ang no	C01-8639-2320	
		full power right angled solder				Rev.	C
		catalog no				sheet 5 of 5	

REV 7 - 2006-04-17

1 2 3 4 5 6 7 8