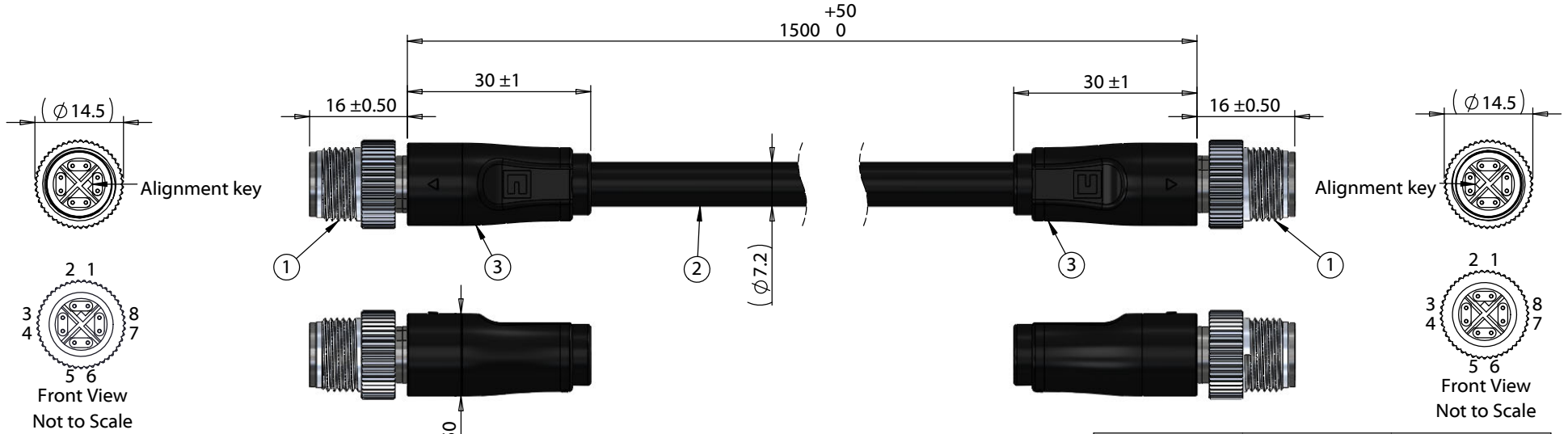


ITEM NO.	PART NUMBER	DESCRIPTION	QTY.	COMPONENT NOTES
1	50-00993	Connector, 8 pin M12 X-code plug, 12xL38.6mm, gold plated, molding style, solder cup, IP67, shielded	2	
2	30-01714	Wire, 4PR BC, 26 AWG, CAT6a SF/UTP, UL20387, 300V, 105C, 60C oil, UV, 7.2 mm, shielded, VW-1, PVC	1	
3	24-00363	Overmold, M12 X-code plug and jack, 180°	2	PVC, black, 60 °C oil and UV resistant



- Notes:**
- Cable rated for 48 V, 0.5 A
 - Temperature: -40 ~ 105 °C
 - Signal: Ethernet CAT6a, 10 Gbps
 - Oil resistant up to 60 °C
 - Water resistant up to 75 °C
 - UV resistant

IP67 waterproof rating when M12 connector mated with corresponding (IP67) M12 connector

Functionally equivalent components may be substituted

Wiring Diagram		
50-00993	wire color	50-00993
1	orange/white	1
2	orange	2
3	green/white	3
4	green	4
5	brown/white	5
6	brown	6
7	blue/white	7
8	blue	8
Shell	shield	Shell

Revision:	Date:	Description:	Prepared:	Notes:	<h1>TENSILITY</h1> <p>tel 1.541.323.3228 800 877.670.7118 fax 1.541.323.4202 web tensility.com</p>
A	5/19/2022	Initial release	JD <small>Digitally signed by JD Date: 2022.05.19 16:06:57 -07'00'</small>		
			Verified:	Function test: no open, no short circuit, no intermittent	
			PB <small>Digitally signed by PB Date: 2022.05.20 10:35:41 -07'00'</small>	Description:	
			Dimensions are in millimeters. Tolerances: X: ± 0.5 mm X.X: ± 0.3 mm X.XX: ± 0.3 mm		Scale: 1:1
				Cable, 1500 mm, 8 pin 50-00993 M12 X-code plug to same, CAT6a, 26 AWG, 30-01714 wire	Part number: 10-03990
					Sheet 1 of 1

5 4 3 2 1