

Thermofit® Molded Parts Specification Control Drawing

Part Number: 002A011 & 204A711
Description: Molding Port
Plug and Riser

Notes:

1. All dimensions are in $\frac{\text{Inches}}{[\text{Millimeters}]}$; $\frac{\text{lbs}}{[\text{gms}]}$
2. Dimensions appearing in table are as follows:
a - as supplied
3. These parts are not heat-shrinkable
4. Weight shown in table of dimensions is based on polyolefin part.

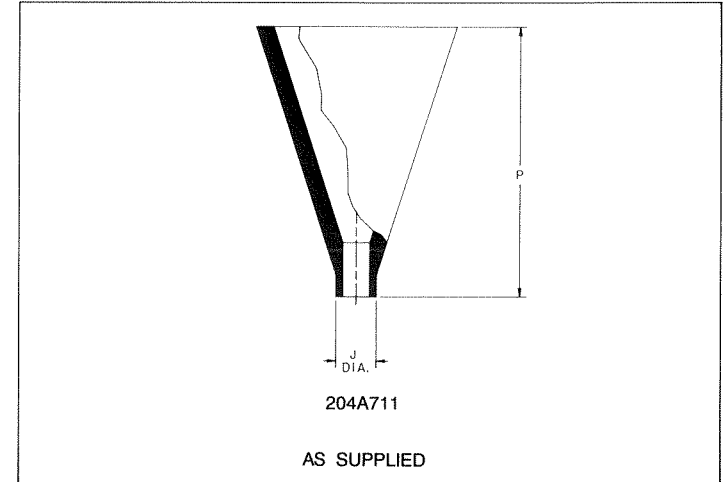
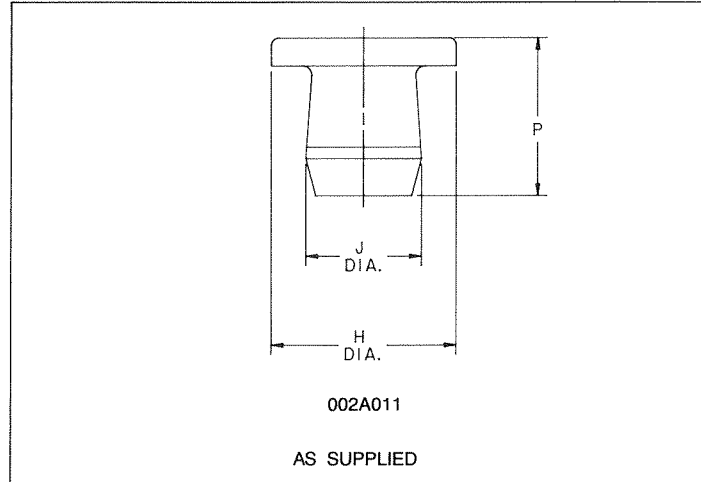


Table of Dimensions				
Part Number	H ±10%	J +.00/- .01 [+0,00/-0,25]	P ±10%	Weight Nom
	a	a	a	a
002A011	$\frac{.23}{[5,84]}$	$\frac{.20}{[5,08]}$	$\frac{.16}{[4,06]}$	$\frac{.0002}{[0,09]}$
204A711		$\frac{.12}{[3,05]}$	$\frac{.83}{[21,08]}$	$\frac{.0020}{[0,91]}$

Raychem

Raychem Corporation
300 Constitution Drive
Menlo Park, California 94025
415) 361 6055

Revision: **D**
Date: **08-29-89**

If this document is printed it becomes uncontrolled.
Check for the latest revision.

Part Number: 002A011 & 204A711
Description: Molding Port
Plug and Riser

Thermofit® Molded Parts Specification Control Drawing

Part Number: 002A011 & 204A711
Description: Molding Port
 Plug and Riser

Compatibility Chart		
Material Dash No.	Material Description	RT Spec
-3	Polyolefin, Semi-Rigid	RT-301
-12	Viton, Flexible	RT-1312

Ordering Information:

_____ 002A011
 _____ 204A711 or — XX

Base part number _____

Material dash number _____
 (see compatibility chart)

This drawing is subject to change without notice; consult your nearest field representative for current revision.

Raychem
 Raychem Corporation
 300 Constitution Drive
 Menlo Park, California 94025
 415) 361 6055

Revision: **D**
 Date: **08-29-89**

If this document is printed it becomes uncontrolled.
 Check for the latest revision.

Part Number: 002A011 & 204A711
Description: Molding Port
 Plug and Riser