



DE & GE SERIES

IEC INLET FILTERS

INTRODUCTIONS

1. DE & GE Series filters are for UL 544 & UL 2601 health care equipment.
2. DE Series: UL, CSA, VDE.
3. GE Series: UL, CSA, VDE.
4. GE Series is with optional bleeder resistor and wire connection.

COMPONENTS

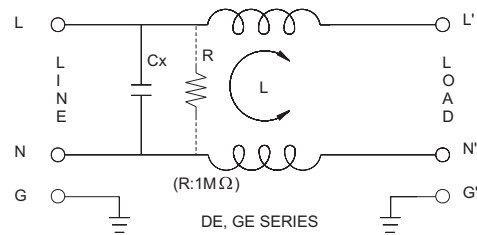
PART NO.	Cx (uF)	L (mH)
01DEEG3BM	0.033	5
03DEEG3BM		1.8
06DEEG3BM		0.6
10DEEG3BM		0.18
• 03GEEG3QM/W3QM	0.1	4.0
03GENG3QM/W3QM		1.5
•• 06GEEG3QM/W3QM		
06GENG3QM/W3QM		
••• 10GEEG3QM/W3QM		0.3
10GENG3QM/W3QM		
* 20GEEG3EM/W3EM		
* 20GENG3EM/W3EM		

- UL, CSA approved to 4A 115/250V
- UL, CSA approved to 8A 115/250V
- UL, CSA approved to 13A 115/250V
- * VDE approved to 16A 250V

SPECIFICATIONS

1. Maximum leakage current each line-to-ground: @ 115VAC 60Hz: 2uA
@ 250VAC 50Hz: 5uA
2. Hipot rating (one minute)
line-to-ground: 2250VDC
line-to-line: 1450VDC
3. Operating frequency: 50/60Hz
4. Rated voltage: 115/250VAC

ELECTRICAL SCHEMATIC



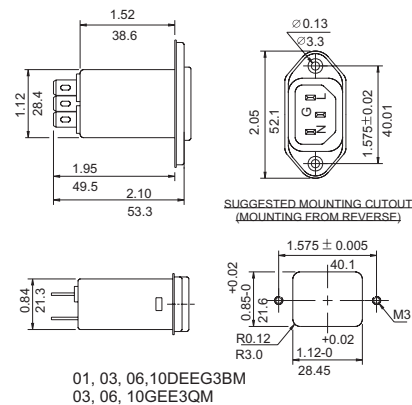
MINIMUM INSERTION LOSS IN dB

COMMON MODE (L-G) IN 50 OHM SYSTEM							
TYPE	CURRENT RATING	FREQUENCY-MHz					
		0.15	0.15	0.15	0.15	0.15	0.15
01DEEG3BM	1A	25	30	40	30	10	10
03DEEG3BM	3A	18	25	25	30	20	12
06DEEG3BM	6A	8	20	24	26	25	15
10DEEG3BM	10A	3	7	12	14	20	5
03GEEG3QM/W3QM	3A	18	25	25	20	18	5
03GENG3QM/W3QM							
06GEEG3QM/W3QM	6A	15	20	20	20	20	12
06GENG3QM/W3QM							
10GEEG3QM/W3QM	10A	6	8	10	10	10	6
10GENG3QM/W3QM							
20GEEG3EM/W3EM	20A	8	10	12	12	10	6
20GENG3EM/W3EM							

MECHANICAL CONSTRUCTION



EG3BM
EG3QM (optional wire type)



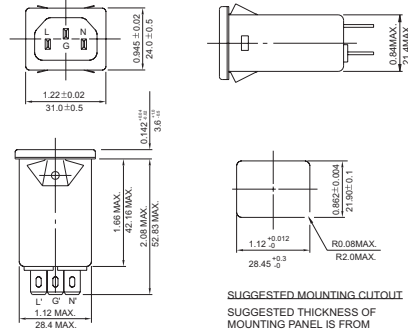
UNIT: INCH
mm

MECHANICAL CONSTRUCTION

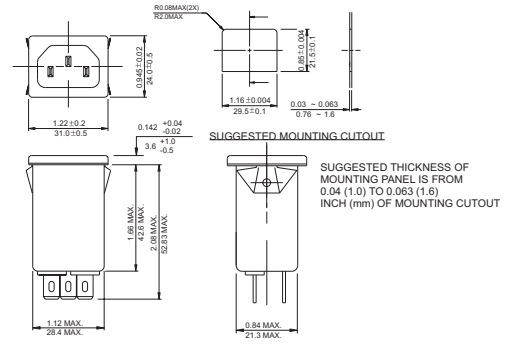


NG3QM
(Optional wire type)

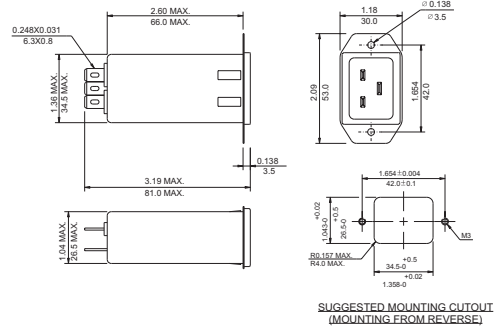
ALL WIRE LEADS 4.0" LONG MIN.



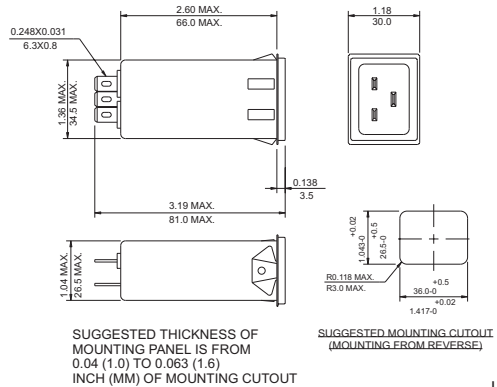
NG3QM(H)
(Optional wire type)



20GEEG3E
(Optional wire type)



20GENG3E
(Optional wire type)



UNIT: INCH
mm