

THIS DRAWING IS UNPUBLISHED.

RELEASED FOR PUBLICATION

JAN ,2006.

REVISIONS

© COPYRIGHT 2006 By -

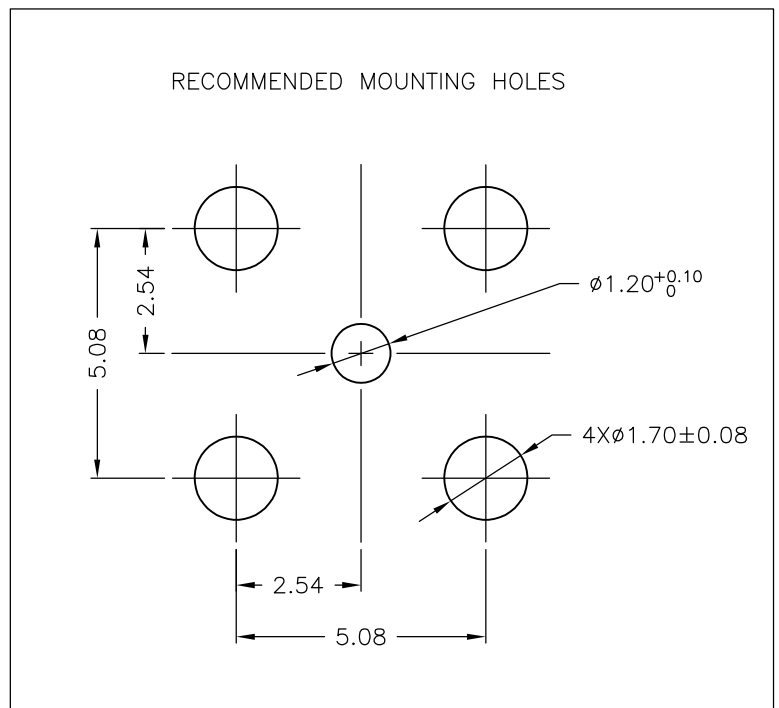
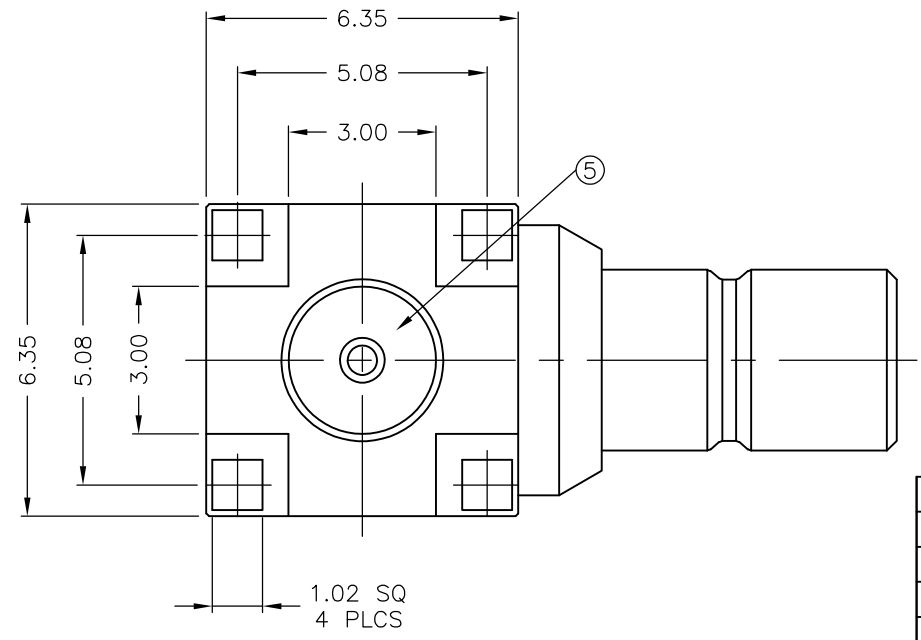
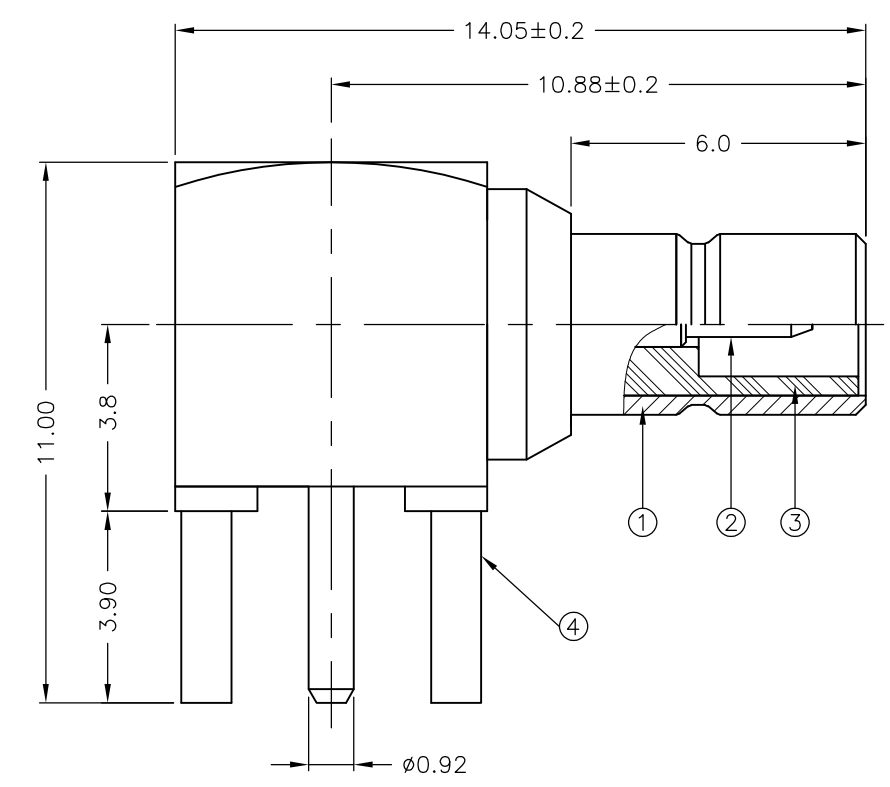
ALL RIGHTS RESERVED.

TODOS LOS DERECHOS RESERVADOS.

P	LTR	DESCRIPTION	DATE	DWN	APVD
	F	PER ECR-15-006368	05MAY05	RZ	MC

NOTES:

- ① SINGLE PACKING: ONE CONNECTOR PER LABELED BAG PACKAGED. LABELED PER TEC-107-115
- ② TRAY PACKAGED
- ③ Au PLATING
- 4 ELECTRICAL CHARACTERISTICS
 - FREQUENCY RANGE: DC - 4 GHz
 - NOMINAL IMPEDANCE: 50 Ohm
 - INSULATION RESISTANCE: 1000 MOhm
 - WORKING VOLTAGE: 250 Volts RMS at Sea Level
 - DIELECTRIC WITHSTAND VOLTAGE: 750 Volts RMS Max
 - CONTACT RESISTANCE:
 - CENTER CONTACT: 6.00 mOhm Max
 - OUTER CONTACT: 1.00 mOhm Max
- 5 MECHANICAL CHARACTERISTICS
 - DURABILITY: 500 Cycles Min
- 6 ENVIRONMENTAL CHARACTERISTICS
 - OPERATING TEMPERATURE: -65 to +165 DegC
- 7 FOR TECHNICAL DATA REFER TO YOUR LOCAL TE CONNECTIVITY SALES OFFICE
- 8 ALL DIMENSIONS ARE NOMINAL FOR REFERENCE ONLY UNLESS OTHERWISE STATED



QTY	QTY PER ASSY	MATERIAL	DESCRIPTION	ITEM
1	1	PTFE	INSULATION	5
1	1	BRASS	BODY	4
1	1	PTFE	INSULATION	3
1	1	BRASS	CONTACT	2
1	1	BRASS	BODY	1
6--0	1--0			

THIS DRAWING IS A CONTROLLED DOCUMENT.		DWN	J.SANDWELL	12JAN06
DIMENSIONS: mm		CHK	S.PARLOW	12JAN06
TOLERANCES UNLESS OTHERWISE SPECIFIED:		APVD	F.WHEELER-KING	12JAN06
0 PLC	± -	PRODUCT SPEC		
1 PLC	± 0.2	APPLICATION SPEC		
2 PLC	± 0.15	WEIGHT		
3 PLC	± 0.1	CUSTOMER DRAWING		
4 PLC	± -	UNIQUEMENT		
ANGLES	± 5'	SCALE		
MATERIAL	SEE TABLE	FINISH		

STE TE Connectivity

SMB ELBOW PCB SOCKET 50 OHM

SIZE	CAGE CODE	DRAWING NO	RESTRICTED TO
A3	00779	C-1337481	-

UNIQUEMENT: A3 00779 C-1337481
 SCALE: NTS
 SHEET: 1 OF 1
 REV: F