

735410 ✓ ACTIVE

ELECTRO-TAP

TE Internal #: 735410

Splices, Tap Splice, 20 – 18 AWG Wire Size, .5 – .75 mm<sup>2</sup> Wire Size, 642 – 1624 CMA Wire Size, Brass, Red, Length 1.374 in [34.9 mm], Bag, ELECTRO-TAP

[View on TE.com >](#)



Terminals & Splices > Splices



Wire Size: 642 – 1624 CMA

Sealable: No

Compatible Insulation Diameter Range: 4 mm [ .157 in ]

Features

Product Type Features

Splice Accessory Type	Tap Cover
Sealable	No
Splice Type	Tap Splice
Compatible With Discrete Wire Type	Stranded
Wire Insulation Support Retention Type	Insulation Support

Configuration Features

Compatible With Wire & Cable Type	Discrete Wire
-----------------------------------	---------------

Body Features

Primary Product Color	Red
-----------------------	-----

Contact Features

Terminal Plating Material	Tin
Contact Base Material	Brass

Termination Features

Termination Method to Wire & Cable	Crimp
------------------------------------	-------

Mechanical Attachment

Wire Insulation Support	With
-------------------------	------

### Housing Features

Housing Material	Nylon - GF
------------------	------------

### Dimensions

Tap Wire Size	.5 – .75 mm <sup>2</sup>
---------------	--------------------------

Wire Size	642 – 1624 CMA
-----------	----------------

Compatible Insulation Diameter Range	4 mm [.157 in]
--------------------------------------	----------------

Product Length	34.9 mm [1.374 in]
----------------	--------------------

### Usage Conditions

Insulation Option	Fully Insulated
-------------------	-----------------

Operating Temperature Range	105 °C [221 °F]
-----------------------------	-----------------

### Industry Standards

Government Qualified Splice	No
-----------------------------	----

### Packaging Features

Packaging Quantity	100
--------------------	-----

Packaging Method	Bag
------------------	-----

## Product Compliance

[For compliance documentation, visit the product page on TE.com>](#)

EU RoHS Directive 2011/65/EU	Compliant
------------------------------	-----------

EU ELV Directive 2000/53/EC	Compliant
-----------------------------	-----------

China RoHS 2 Directive MIIT Order No 32, 2016	No Restricted Materials Above Threshold
---	---

EU REACH Regulation (EC) No. 1907/2006	Current ECHA Candidate List: JUNE 2023 (235) Candidate List Declared Against: JAN 2023 (233) Does not contain REACH SVHC
--	--

Halogen Content	BFR/CFR/PVC Free, but Br/Cl >900 ppm in other sources.
-----------------	--

Solder Process Capability	Not applicable for solder process capability
---------------------------	--

#### Product Compliance Disclaimer

This information is provided based on reasonable inquiry of our suppliers and represents our current actual knowledge based on the information they provided. This information is subject to change. The part numbers that TE has identified as EU RoHS compliant have a maximum concentration of 0.1% by weight in homogenous materials for lead, hexavalent chromium, mercury, PBB, PBDE, DBP, BBP, DEHP, DIBP, and 0.01% for cadmium, or qualify for an exemption to these

limits as defined in the Annexes of Directive 2011/65/EU (RoHS2). Finished electrical and electronic equipment products will be CE marked as required by Directive 2011/65/EU. Components may not be CE marked. Additionally, the part numbers that TE has identified as EU ELV compliant have a maximum concentration of 0.1% by weight in homogenous materials for lead, hexavalent chromium, and mercury, and 0.01% for cadmium, or qualify for an exemption to these limits as defined in the Annexes of Directive 2000/53/EC (ELV). Regarding the REACH Regulation, the information TE provides on SVHC in articles for this part number is based on the latest European Chemicals Agency (ECHA) 'Guidance on requirements for substances in articles' posted at this URL: <https://echa.europa.eu/guidance-documents/guidance-on-reach>

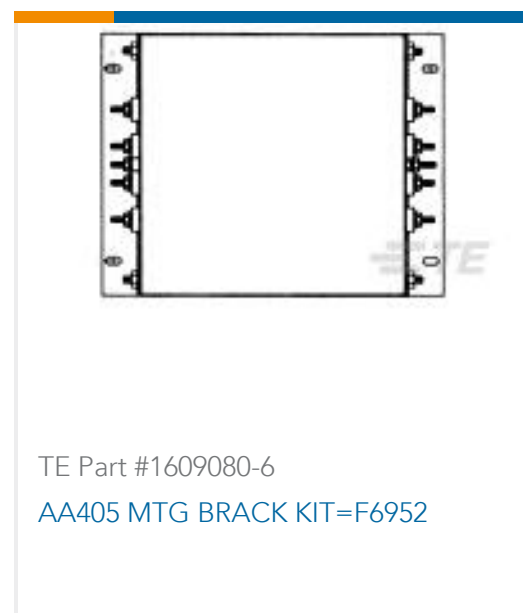
## Compatible Parts

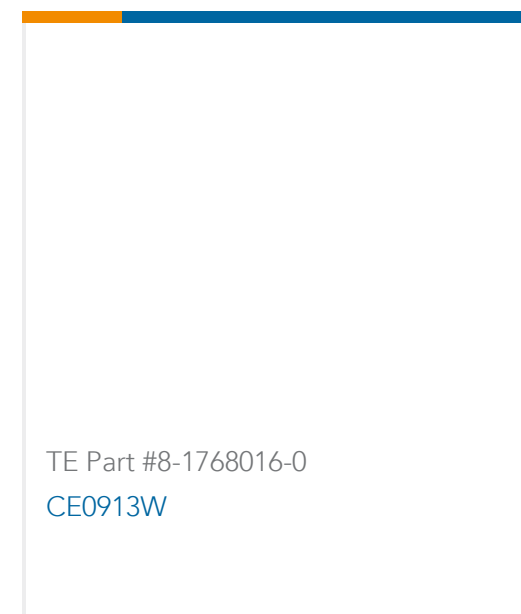


## Also in the Series | ELECTRO-TAP



## Customers Also Bought





## Documents

### CAD Files

3D PDF

3D

Customer View Model

[ENG\\_CVM\\_CVM\\_735410\\_E.2d\\_dxf.zip](#)

English

Customer View Model

[ENG\\_CVM\\_CVM\\_735410\\_E.3d\\_igs.zip](#)

English

Customer View Model

[ENG\\_CVM\\_CVM\\_735410\\_E.3d\\_stp.zip](#)

English

3D PDF

English

Customer View Model

[ENG\\_CVM\\_735410\\_C2.3d\\_igs.zip](#)

English

Customer View Model

[ENG\\_CVM\\_735410\\_C2.3d\\_stp.zip](#)

English

Customer View Model

[ENG\\_CVM\\_735410\\_C2.2d\\_dxf.zip](#)

English

By downloading the CAD file I accept and agree to the [Terms and Conditions](#) of use.

### Datasheets & Catalog Pages

[ELECTRO-TAP CABLE CONNECTOR/SPLICE](#)

English

### Product Environmental Compliance

[MD\\_735410\\_12262017156\\_dmtec](#)

English

[MD\\_735410\\_12262017156\\_dmtec](#)

English

735410

Splices, Tap Splice, 20 – 18 AWG Wire Size, .5 – .75 mm<sup>2</sup> Wire Size, 642 – 1624 CMA  
Wire Size, Brass, Red, Length 1.374 in [34.9 mm], Bag, ELECTRO-TAP

