

CD74HC164, CD74HCT164

High Speed CMOS Logic 8-Bit Serial-In/Parallel-Out Shift Register

October 1997

Features

- Buffered Inputs
- Asynchronous Master Reset
- Typical $f_{MAX} = 50\text{MHz}$ at $V_{CC} = 5\text{V}$, $C_L = 15\text{pF}$, $T_A = 25^\circ\text{C}$
- Fanout (Over Temperature Range)
 - Standard Outputs 10 LSTTL Loads
 - Bus Driver Outputs 15 LSTTL Loads
- Wide Operating Temperature Range . . . -55°C to 125°C
- Balanced Propagation Delay and Transition Times
- Significant Power Reduction Compared to LSTTL Logic ICs
- HC Types
 - 2V to 6V Operation
 - High Noise Immunity: $N_{IL} = 30\%$, $N_{IH} = 30\%$ of V_{CC} at $V_{CC} = 5\text{V}$
- HCT Types
 - 4.5V to 5.5V Operation
 - Direct LSTTL Input Logic Compatibility, $V_{IL} = 0.8\text{V}$ (Max), $V_{IH} = 2\text{V}$ (Min)
 - CMOS Input Compatibility, $I_I \leq 1\mu\text{A}$ at V_{OL} , V_{OH}

Description

The Harris CD74HC164 and the CD74HCT164 are 8-bit serial-in parallel-out shift registers with asynchronous reset. Data is shifted on the positive edge of Clock (CP). A LOW on the Master Reset (MR) pin resets the shift register and all outputs go to the LOW state regardless of the input conditions. Two Serial Data inputs (DS1 and DS2) are provided, either one can be used as a Data Enable control.

Ordering Information

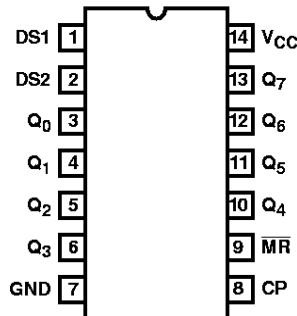
PART NUMBER	TEMP. RANGE (°C)	PACKAGE	PKG. NO.
CD74HC164E	-55 to 125	16 Ld PDIP	E14.3
CD74HCT164E	-55 to 125	16 Ld PDIP	E14.3
CD74HC164M	-55 to 125	16 Ld SOIC	M14.15
CD74HCT164M	-55 to 125	16 Ld SOIC	M14.15

NOTE:

1. When ordering, use the entire part number. Add the suffix 96 to obtain the variant in the tape and reel.
2. Wafer and die is available which meets all electrical specifications. Please contact your local sales office or Harris customer service for ordering information.

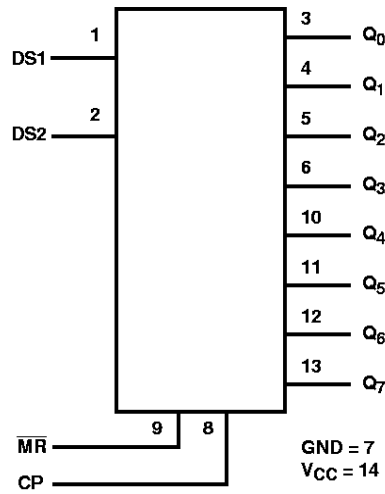
Pinout

CD74HC164, CD74HCT164
(PDIP, SOIC)
TOP VIEW



CD74HC164, CD74HCT164

Functional Diagram



TRUTH TABLE

OPERATING MODE	INPUTS				OUTPUTS	
	$\overline{\text{MR}}$	CP	DS1	DS2	Q ₀	Q ₁ - Q ₇
RESET (CLEAR)	L	X	X	X	L	L - L
Shift	H	↑	l	l	L	q ₀ - q ₆
	H	↑	l	h	L	q ₀ - q ₆
	H	↑	h	l	L	q ₀ - q ₆
	H	↑	h	h	H	q ₀ - q ₆

NOTES:

H = High Voltage Level.

h = High Voltage Level One Set-up Time Prior To The Low-to-high Clock Transition.

l = Low Voltage Level One Set-up Time Prior To The Low-to-high Clock Transition.

L = Low Voltage Level.

X = Don't Care.

↑ = Transition from Low to High Level.

q_n = Lower Case Letters Indicate The State Of the Reference Input Clock Transition.

CD74HC164, CD74HCT164

Absolute Maximum Ratings

DC Supply Voltage, V_{CC}	-0.5V to 7V
DC Input Diode Current, I_{IK}	
For $V_I < -0.5V$ or $V_I > V_{CC} + 0.5V$	$\pm 20mA$
DC Output Diode Current, I_{OK}	
For $V_O < -0.5V$ or $V_O > V_{CC} + 0.5V$	$\pm 20mA$
DC Output Source or Sink Current per Output Pin, I_O	
For $V_O > -0.5V$ or $V_O < V_{CC} + 0.5V$	$\pm 25mA$
DC V_{CC} or Ground Current, I_{CC} or I_{GND}	$\pm 50mA$

Thermal Information

Thermal Resistance (Typical, Note 2)	θ_{JA} ($^{\circ}C/W$)
PDIP Package	90
SOIC Package	175
Maximum Junction Temperature	$150^{\circ}C$
Maximum Storage Temperature Range	$-65^{\circ}C$ to $150^{\circ}C$
Maximum Lead Temperature (Soldering 10s)	$300^{\circ}C$ (SOIC - Lead Tips Only)

Operating Conditions

Temperature Range (T_A)	$-55^{\circ}C$ to $125^{\circ}C$
Supply Voltage Range, V_{CC}	
HC Types	2V to 6V
HCT Types	4.5V to 5.5V
DC Input or Output Voltage, V_I , V_O	0V to V_{CC}
Input Rise and Fall Time	
2V	1000ns (Max)
4.5V	500ns (Max)
6V	400ns (Max)

CAUTION: Stresses above those listed in "Absolute Maximum Ratings" may cause permanent damage to the device. This is a stress only rating and operation of the device at these or any other conditions above those indicated in the operational sections of this specification is not implied.

NOTE:

- θ_{JA} is measured with the component mounted on an evaluation PC board in free air.

DC Electrical Specifications

PARAMETER	SYMBOL	TEST CONDITIONS		V_{CC} (V)	25°C			-40°C TO 85°C		-55°C TO 125°C		UNITS
		V_I (V)	I_O (mA)		MIN	TYP	MAX	MIN	MAX	MIN	MAX	
HC TYPES												
High Level Input Voltage	V_{IH}	-	-	2	1.5	-	-	1.5	-	1.5	-	V
				4.5	3.15	-	-	3.15	-	3.15	-	V
				6	4.2	-	-	4.2	-	4.2	-	V
Low Level Input Voltage	V_{IL}	-	-	2	-	-	0.5	-	0.5	-	0.5	V
				4.5	-	-	1.35	-	1.35	-	1.35	V
				6	-	-	1.8	-	1.8	-	1.8	V
High Level Output Voltage CMOS Loads	V_{OH}	V_{IH} or V_{IL}	-0.02	2	1.9	-	-	1.9	-	1.9	-	V
			-0.02	4.5	4.4	-	-	4.4	-	4.4	-	V
			-0.02	6	5.9	-	-	5.9	-	5.9	-	V
			-4	4.5	3.98	-	-	3.84	-	3.7	-	V
			-5.2	6	5.48	-	-	5.34	-	5.2	-	V
High Level Output Voltage TTL Loads	V_{OH}	V_{IH} or V_{IL}	0.02	2	-	-	0.1	-	0.1	-	0.1	V
			0.02	4.5	-	-	0.1	-	0.1	-	0.1	V
			0.02	6	-	-	0.1	-	0.1	-	0.1	V
			4	4.5	-	-	0.26	-	0.33	-	0.4	V
			5.2	6	-	-	0.26	-	0.33	-	0.4	V
Low Level Output Voltage CMOS Loads	V_{OL}	V_{IH} or V_{IL}	0.02	2	-	-	0.1	-	0.1	-	0.1	V
0.02			4.5	-	-	0.1	-	0.1	-	0.1	V	
Low Level Output Voltage TTL Loads	V_{OL}	V_{IH} or V_{IL}	4	4.5	-	-	0.26	-	0.33	-	0.4	V
			5.2	6	-	-	0.26	-	0.33	-	0.4	V
Input Leakage Current	I_I	V_{CC} or GND	-	6	-	-	± 0.1	-	± 1	-	± 1	μA
Quiescent Device Current	I_{CC}	V_{CC} or GND	0	6	-	-	8	-	80	-	160	μA

CD74HC164, CD74HCT164

DC Electrical Specifications (Continued)

PARAMETER	SYMBOL	TEST CONDITIONS		V_{CC} (V)	25°C			-40°C TO 85°C		-55°C TO 125°C		UNITS
		V_I (V)	I_O (mA)		MIN	TYP	MAX	MIN	MAX	MIN	MAX	
HCT TYPES												
High Level Input Voltage	V_{IH}	-	-	4.5 to 5.5	2	-	-	2	-	2	-	V
Low Level Input Voltage	V_{IL}	-	-	4.5 to 5.5	-	-	0.8	-	0.8	-	0.8	V
High Level Output Voltage CMOS Loads	V_{OH}	V_{IH} or V_{IL}	-0.02	4.5	4.4	-	-	4.4	-	4.4	-	V
High Level Output Voltage TTL Loads			-4	4.5	3.98	-	-	3.84	-	3.7	-	V
Low Level Output Voltage CMOS Loads	V_{OL}	V_{IH} or V_{IL}	0.02	4.5	-	-	0.1	-	0.1	-	0.1	V
Low Level Output Voltage TTL Loads			4	4.5	-	-	0.26	-	0.33	-	0.4	V
Input Leakage Current	I_I	V_{CC} to GND	0	5.5	-	-	± 0.1	-	± 1	-	± 1	μA
Quiescent Device Current	I_{CC}	V_{CC} or GND	0	5.5	-	-	8	-	80	-	160	μA
Additional Quiescent Device Current Per Input Pin: 1 Unit Load (Note 3)	ΔI_{CC}	V_{CC} -2.1	-	4.5 to 5.5	-	100	360	-	450	-	490	μA

NOTE:

4. For dual-supply systems theoretical worst case ($V_I = 2.4V$, $V_{CC} = 5.5V$) specification is 1.8mA.

HCT Input Loading Table

INPUT	UNIT LOADS
Date Shift-In (1, 2)	0.3
\overline{MR}	0.9
Clock	0.7

NOTE: Unit Load is ΔI_{CC} limit specified in DC Electrical Specifications table, e.g. 360 μA max at 25°C.

Prerequisite For Switching Function

PARAMETER	SYMBOL	V_{CC} (V)	25°C		-40°C TO 85°C		-55°C TO 125°C		UNITS
			MIN	MAX	MIN	MAX	MIN	MAX	
HC TYPES									
Maximum Clock Frequency	f_{MAX}	2	6	-	5	-	4	-	MHz
		4.5	30	-	24	-	20	-	MHz
		6	35	-	28	-	24	-	MHz
\overline{MR} Pulse Width	t_w	2	60	-	75	-	90	-	ns
		4.5	12	-	15	-	18	-	ns
		6	10	-	13	-	15	-	ns

CD74HC164, CD74HCT164

Prerequisite For Switching Function (Continued)

PARAMETER	SYMBOL	V _{CC} (V)	25°C		-40°C TO 85°C		-55°C TO 125°C		UNITS
			MIN	MAX	MIN	MAX	MIN	MAX	
CP Pulse Width	t _w	2	80	-	100	-	120	-	ns
		4.5	16	-	20	-	24	-	ns
		6	14	-	17	-	20	-	ns
Set-up Time	t _{SU}	2	60	-	75	-	90	-	ns
		4.5	12	-	15	-	18	-	ns
		6	10	-	13	-	15	-	ns
Hold Time	t _H	2	4	-	4	-	4	-	ns
		4.5	4	-	4	-	4	-	ns
		6	4	-	4	-	4	-	ns
MR to Clock, Removal Time	t _{REM}	2	80	-	100	-	120	-	ns
		4.5	16	-	20	-	24	-	ns
		6	14	-	17	-	20	-	ns
HCT TYPES									
Maximum Clock Frequency	f _{MAX}	4.5	27	-	22	-	18	-	MHz
MR Pulse Width	t _w	6	18	-	23	-	27	-	ns
CP Pulse Width	t _w	4.5	18	-	23	-	27	-	ns
Set-up Time	t _{SU}	6	12	-	15	-	18	-	ns
Hold Time	t _H	4.5	4	-	4	-	4	-	ns
MR to Clock, Removal Time	t _{REM}	6	16	-	20	-	24	-	ns

Switching Specifications Input t_r, t_f = 6ns

PARAMETER	SYMBOL	TEST CONDITIONS	V _{CC} (V)	25°C		-40°C TO 85°C	-55°C TO 125°C	UNITS
				TYP	MAX	MAX	MAX	
HC TYPES								
Propagation Delay, CP to Q _n	t _{PLH} , t _{PHL}	C _L = 50pF	2	-	170	212	255	ns
			4.5	-	34	43	51	ns
		C _L = 15pF	5	14	-	-	-	ns
		C _L = 50pF	6	-	29	36	43	ns
MR to Q _n	t _{PLH} , t _{PHL}	C _L = 50pF	2	-	140	175	210	ns
			4.5	-	28	35	42	ns
		C _L = 15pF	5	11	-	-	-	ns
		C _L = 50pF	6	-	24	30	36	ns
Output Transition Times	t _{TLH} , t _{THL}	C _L = 50pF	2	-	75	-	110	ns
			4.5	-	15	-	22	ns
			6	-	13	-	19	ns
Maximum Clock Frequency	f _{MAX}	C _L = 15pF	5	60	-	-	-	MHz
Input Capacitance	C _{IN}	-	-	-	10	10	10	pF

CD74HC164, CD74HCT164

Switching Specifications Input $t_r, t_f = 6\text{ns}$ (Continued)

PARAMETER	SYMBOL	TEST CONDITIONS	V_{CC} (V)	25°C		-40°C TO 85°C	-55°C TO 125°C	UNITS
				TYP	MAX	MAX	MAX	
Power Dissipation Capacitance (Notes 4, 5)	C_{PD}	-	5	47	-	-	-	pF
HCT TYPES								
Propagation Delay, CP to Q_n	t_{PLH}, t_{PHL}	$C_L = 50\text{pF}$	4.5	-	36	45	54	ns
		$C_L = 15\text{pF}$	5	15	-	-	-	ns
\overline{MR} to Q_n	t_{PLH}, t_{PHL}	$C_L = 50\text{pF}$	4.5	-	38	46	57	ns
		$C_L = 15\text{pF}$	5	16	-	-	-	ns
Output Transition Times	t_{TLH}, t_{THL}	$C_L = 50\text{pF}$	4.5	-	15	19	22	ns
Input Capacitance	C_{IN}	-	-	-	-	-	-	pF
Maximum Clock Frequency	f_{MAX}	$C_L = 15\text{pF}$	-	54	-	-	-	MHz
Power Dissipation Capacitance (Notes 4, 5)	C_{PD}	-	5	49	10	10	10	pF

NOTES:

5. C_{PD} is used to determine the dynamic power consumption, per device.
6. $P_D = V_{CC}^2 f_i + \sum (C_L V_{CC}^2 + f_o)$ where f_i = Input Frequency, f_o = Output Frequency, C_L = Output Load Capacitance, V_{CC} = Supply Voltage.

Test Circuits and Waveforms

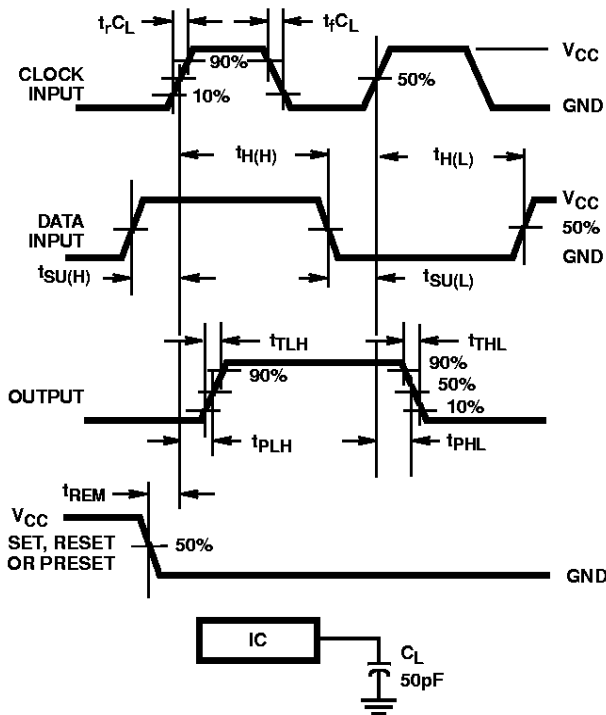


FIGURE 1. HC SETUP TIMES, HOLD TIMES, REMOVAL TIME, AND PROPAGATION DELAY TIMES FOR EDGE TRIGGERED SEQUENTIAL LOGIC CIRCUITS

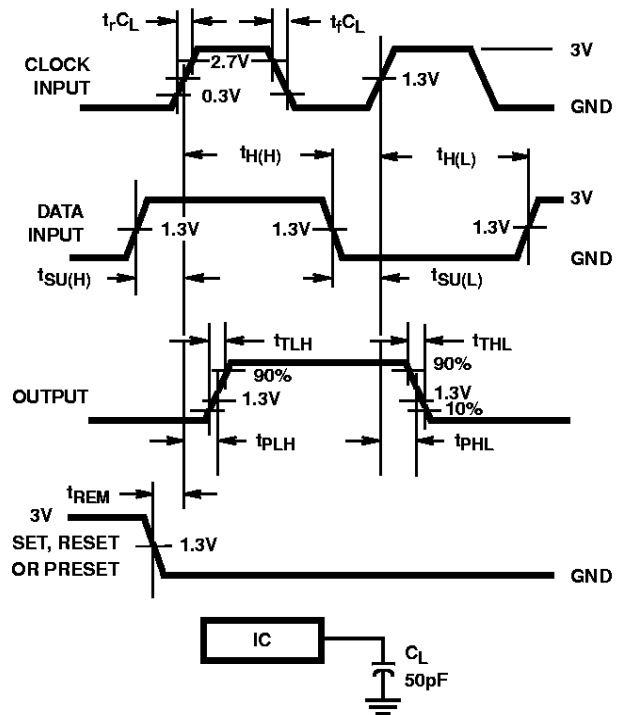


FIGURE 2. HCT SETUP TIMES, HOLD TIMES, REMOVAL TIME, AND PROPAGATION DELAY TIMES FOR EDGE TRIGGERED SEQUENTIAL LOGIC CIRCUITS