

**Materials and Finish**

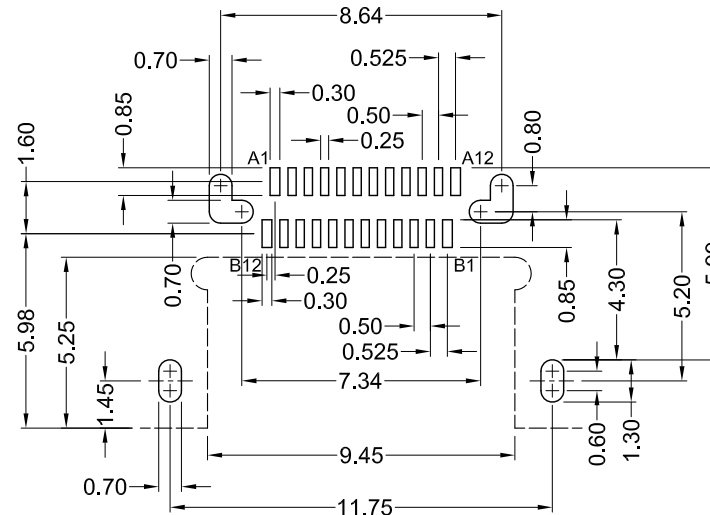
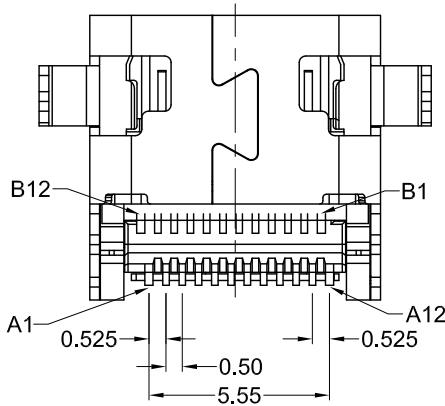
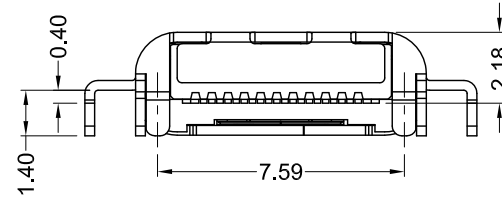
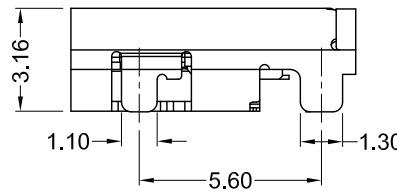
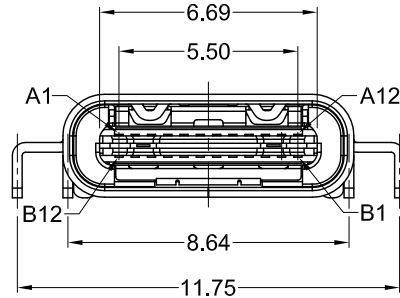
Housing: High Temp Thermoplastic  
 UL 94V-0 Rated, Black Color  
 Shield: Stainless Steel, Nickel Plated  
 Contact Material:  
 Copper Alloy  
 Contact plating:  
 30 Option: 30u" Gold Plated on  
 Contact Area, Tin Plated on Solder  
 Tails, All over Nickel Underplate

**Electrical Characteristics**

Rated Current:  
 5.0A Collectively For Pins  
 A4, A9, B4, and B9 (VBUS)  
 1.25A For pin B5 (VCONN)  
 6.25A Collectively For Pins  
 A1, A12, B1, B12, and M.P. (GND)  
 0.25A For All Other Pins  
 Rated Voltage: 30V  
 Insulation Resistance:  
 100 Megohms Min. at 250V DC  
 Contact Resistance:  
 40 milliohms Max.  
 Dielectric Withstanding Voltage:  
 100V AC RMS for 1 Minute

**Mechanical Characteristics**

Insertion Force: 5N - 20N  
 Withdrawal Force: 6N - 20N  
 Durability: 10000 Mating Cycles Min.  
 Operating Temperature:  
 -55°C to +105°C



PCB LAYOUT

**Tolerances**

X.X ± 0.35  
 X.XX ± 0.25  
 Unless Stated  
 Otherwise



REV.	DATE	DESCRIPTION	REV. BY	CHK. BY	DRAWN BY	DATE
A0	02/09/16	New Drawing	H. MA	W. Cook	H. MA	11/11/15
A1	05/16/16	Release Drawing	C. Kelleher	N/A		
A2	12/28/18	ECO #18-074	G. Serrato	D. Shehan	UNITS	mm
A3	06/07/21	Add Dims	C. Kelleher	C. Furumasa		

**KUSBX-MM-CS1-B30TR**

USB TYPE C 3.1, Female,  
 SMT, Mid-Mount

