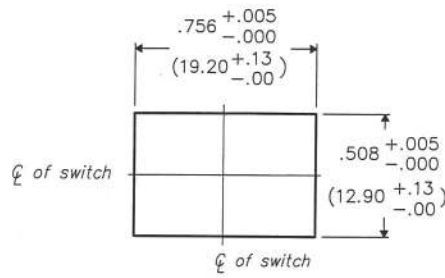
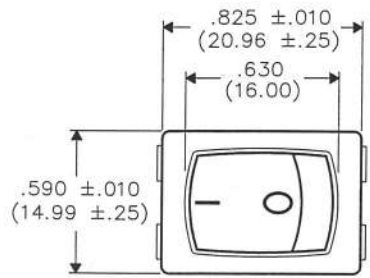


THIS INFORMATION IS CONFIDENTIAL AND PROPRIETARY TO CW INDUSTRIES INCORPORATED AND ITS AFFILIATES. IT MAY NOT BE DISCLOSED TO ANYONE, OTHER THAN CW INDUSTRIES PERSONNEL, WITHOUT WRITTEN AUTHORIZATION FROM CW INDUSTRIES INCORPORATED, SOUTHAMPTON, PENNSYLVANIA, USA.

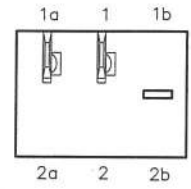
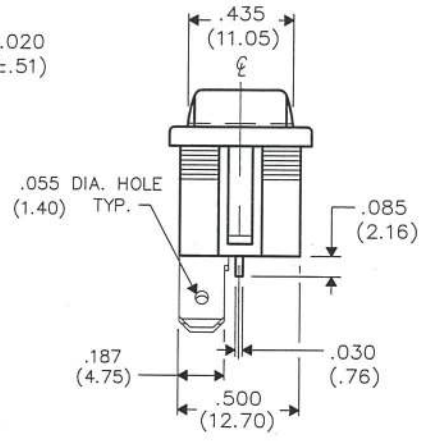
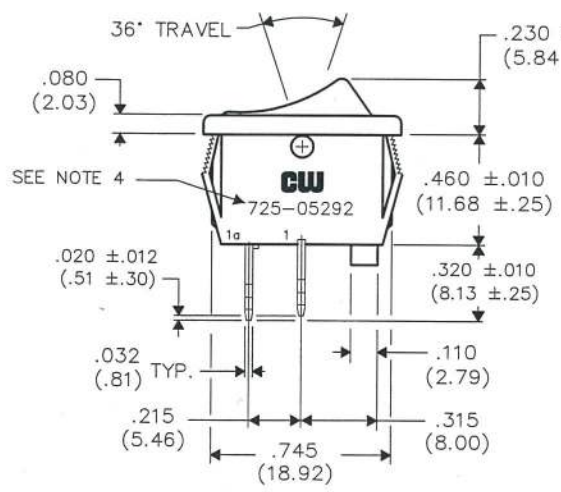
E  
D  
C  
B  
A

DIMENSIONS IN INCHES (MILLIMETERS)  
DO NOT SCALE DRAWING .....

Dwg. No.  
**GRS-4011-0146**



**PANEL PIERCING**



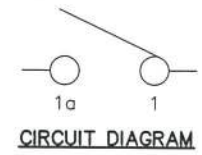
**BOTTOM VIEW  
(RELOCATED)**

**NOTES:**

1. TERMINAL/MOVING CONTACT MATERIAL - CU ALLOY (MICROFINISHED)
2. HOUSING MATERIAL - NYLON 6/6  
COLOR - BLACK
3. BUTTON MATERIAL - NYLON 6/6 15% GF  
COLOR - CRAFTSMAN RED RD4E065
4. CUSTOMER PART NUMBER LOCATION AS SHOWN ON DRAWING

**UL/CSA ELECTRICAL RATING:**

- 13A. 125V.A.C. 10A. 250V.A.C.  
1/2 H.P. 125-250V.A.C. 5A. 14V L



**CIRCUIT DIAGRAM**

Switch Actuator is Shown in the Off Position.

	1	2	3	4	5	6	7	8	9	10							
B-FORMAT 2002	<p><b>REVISIONS</b></p> <p>0 NEW RELEASE EJP 10-21-2010 OCT. 25, 2010</p> <p>1 Redrawn. Added circuit diagram &amp; switch actuator note. DGSW 2-11-15 FEB 11 2015 <i>[Signature]</i></p>							<p><b>cw INDUSTRIES</b> Southampton, Pa. 18966</p> <p><b>TOLERANCES UNLESS OTHERWISE SPECIFIED</b></p> <table border="1"> <tr> <td>2 Place Decimal ±.010</td> <td>METRIC</td> </tr> <tr> <td>3 Place Decimal ±.005</td> <td>1 Place Dec. ±.25mm</td> </tr> <tr> <td>Angles ..... ±1'</td> <td>2 Place Dec. ±.13mm</td> </tr> </table> <p>Made for: CW IND.</p> <p>Drawn by: EJP 10-21-2010</p> <p>Checked by: Greg Guld 10/22/10</p> <p>Approval: EJP 10/22/10</p>		2 Place Decimal ±.010	METRIC	3 Place Decimal ±.005	1 Place Dec. ±.25mm	Angles ..... ±1'	2 Place Dec. ±.13mm	<p>Title: <b>MINI SWITCH SNAP - IN S.P.- S.T.</b></p> <p>Division: <b>SWITCH</b></p> <p>Dwg. No. <b>GRS-4011-0146</b></p>	
2 Place Decimal ±.010	METRIC																
3 Place Decimal ±.005	1 Place Dec. ±.25mm																
Angles ..... ±1'	2 Place Dec. ±.13mm																

MASTER