

## Features and Benefits

- Low voltage supply : from 2.5V to 5.5V
- Chopper-stabilized amplifier stage
- Low power Latch: 2.1mA
- Optimized ESD performance: 6kV
- Designed for standalone PCB applications
- Thin SOT23 3L Green Compliant package

## Application Examples

- Consumer and Industrial
- BLDC motor commutation
- Solid-state Latch
- Low power applications
- Index counting

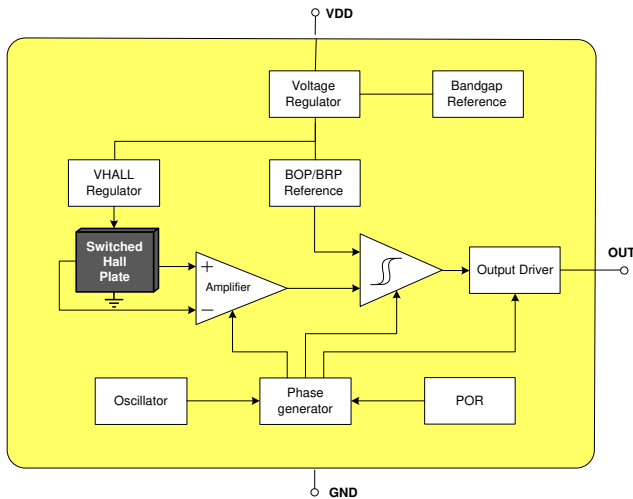
## Ordering Information

Product Code	Temperature Code	Package Code	Option code	Packing form code
MLX92214	L	SE	AAA-000	RE
MLX92214	K	SE	AAA-000	RE

### Legend:

Temperature code: L (-40 to 150°C)  
 K (-40 to 125°C)  
 Package Code: SE = TSOT-23L  
 Packing Form: RE = Reel  
 Ordering code AAA = Very sensitive latch  
 Ordering Example: MLX92214LSE-AAA-000-RE

## 1. Functional Diagram



## 2. General Description

The Melexis MLX92214 is a low voltage Hall-effect latch designed in mixed signal CMOS technology. The device integrates a voltage regulator, Hall sensor with advanced offset cancellation system and an open-drain output driver, all in a single package and qualified according AEC-Q100.

The device features a low voltage regulator with optimized performances targeting low power consumption at low voltage levels.

It is suitable for use in automotive applications thanks to its wide temperature range and extensive qualification according to automotive standards.

The MLX92214 is delivered in a Green compliant 3-pin Thin Small Outline Transistor (TSOT) for surface-mount process.

## Table of Contents

<b>1. Functional Diagram</b> .....	<b>1</b>
<b>2. General Description</b> .....	<b>1</b>
<b>3. Glossary of Terms</b> .....	<b>3</b>
<b>4. Absolute Maximum Ratings</b> .....	<b>3</b>
<b>5. General Electrical Specifications</b> .....	<b>4</b>
<b>6. Magnetic Specification</b> .....	<b>5</b>
6.1. MLX92214LSE-AAA-000-RE .....	5
6.2. MLX92214KSE-AAA-000-RE.....	5
<b>7. Output behaviour versus Magnetic Field</b> .....	<b>6</b>
7.1. Latch sensor: MLX92214xSE-AAA-000 .....	6
<b>8. Detailed General Description</b> .....	<b>6</b>
<b>9. Latch characteristics</b> .....	<b>6</b>
<b>10. Performance graphs</b> .....	<b>7</b>
10.1. MLX92214xSE -AAA-000 .....	7
<b>11. Application Information</b> .....	<b>7</b>
11.1. Typical Three-Wire Application Circuit.....	7
<b>12. Standard information regarding manufacturability of Melexis products with different soldering processes</b> .....	<b>8</b>
<b>13. ESD Precautions</b> .....	<b>8</b>
<b>14. Package Information</b> .....	<b>9</b>
14.1. SE (TSOT-3L) Package Information.....	9
<b>15. Contact</b> .....	<b>10</b>
<b>16. Disclaimer</b> .....	<b>10</b>

### 3. Glossary of Terms

MilliTesla (mT), Gauss	Units of magnetic flux density: 1mT = 10 Gauss
RoHS	Restriction of Hazardous Substances
TSOT	Thin Small Outline Transistor (TSOT package) – also referred with the Melexis package code “SE”
ESD	Electro-Static Discharge
BLDC	Brush-Less Direct-Current

### 4. Absolute Maximum Ratings

Parameter	Symbol	Value	Units
Supply Voltage	V <sub>DD</sub>	-0.5 to 6	V
Supply Current <sup>(1)</sup>	I <sub>DD</sub>	± 20	mA
Output Voltage	V <sub>OUT</sub>	-0.5 to 6	V
Output Current <sup>(1)</sup>	I <sub>OUT</sub>	± 20	mA
Operating Temperature Range for MLX92214LSE	T <sub>A</sub>	-40 to 150	°C
Operating Temperature Range for MLX92214KSE	T <sub>A</sub>	-40 to 125	°C
Storage Temperature Range	T <sub>S</sub>	-50 to 165	°C
Maximum Junction Temperature	T <sub>J</sub>	165	°C
ESD Sensitivity – HBM <sup>(2)</sup>	-	6000	V
ESD Sensitivity – CDM	-	500	V

Exceeding the absolute maximum ratings may cause permanent damage. Exposure to absolute-maximum-rated conditions for extended periods may affect device reliability.

<sup>1</sup> Including current through the protection structure. Max Power dissipation should be also considered.

<sup>2</sup> Human Body Model according AEC-Q100-002 standard

## 5. General Electrical Specifications

DC Operating Parameters  $T_A = -40$  to  $150^\circ\text{C}$  <sup>(1)</sup>,  $V_{DD} = 2.5\text{V}$  to  $5.5\text{V}$  (unless otherwise specified)

Parameter	Symbol	Test Conditions	Min	Typ	Max	Units
Supply Voltage	$V_{DD}$	Operating	2.5		5.5	V
Supply Current	$I_{DD}$		1.0	2.1	3.5	mA
Output Saturation Voltage	$V_{DSON}$	$I_{OUT} = 5\text{mA}$ , $B > B_{OP}$			0.5	V
Output Leakage Current	$I_{OFF}$	$B < B_{RP}$ , $V_{OUT} = 5.5\text{V}$		0.01	10	$\mu\text{A}$
Output Rise Time <sup>(2)</sup>	$t_r$	$R_L = 1\text{k}\Omega$ , $C_L = 50\text{pF}$		0.25		$\mu\text{s}$
Output Fall Time <sup>(2)</sup>	$t_f$	$R_L = 1\text{k}\Omega$ , $C_L = 50\text{pF}$		0.25		$\mu\text{s}$
Power-On Time <sup>(3)</sup>	$t_{PON}$	$dV_{DD}/dt > 2\text{V}/\mu\text{s}$		38	70	$\mu\text{s}$
Power-On Reset Voltage <sup>(4)</sup>	$V_{POR}$			1.95	2.1	V
Power-On State	-		High			-
Maximum Switching Frequency <sup>(2)</sup>	$F_{SW}$	$B \geq \pm 40\text{mT}$ and square wave magnetic field	10			KHz
SE Package Thermal Resistance	$R_{TH}$	Single layer (1S) Jedec board		300		$^\circ\text{C}/\text{W}$

<sup>1</sup> Maximum  $T_A = 125^\circ\text{C}$  in case MLX92214KSE-AAA-000

<sup>2</sup> Guaranteed by design and verified by characterization, not production tested

<sup>3</sup> The Power-On time represents the time from reaching  $V_{DD} = 2.5\text{V}$  to the first refresh of the output.

<sup>4</sup> If  $V_{DD}$  drops below  $V_{POR}$  the output is reset to High state.

## 6. Magnetic Specification

### 6.1. MLX92214LSE-AAA-000-RE

DC Operating Parameters  $T_A = -40$  upto  $150$  °C,  $V_{DD} = 2.5V$  to  $5.5V$  (unless otherwise specified)

Parameter	Symbol	Test Conditions	Min	Typ	Max	Units
Operating Point	$B_{OP}$	$T_A = -40^\circ C$	0.5	2.1	4.0	mT
		$T_A = 25^\circ C$	0.5	<b>2.0</b>	4.0	mT
		$T_A = 150^\circ C$	0.5	1.9	4.0	mT
Release Point	$B_{RP}$	$T_A = -40^\circ C$	-4.0	-2.1	-0.5	mT
		$T_A = 25^\circ C$	-4.0	<b>-2.0</b>	-0.5	mT
		$T_A = 150^\circ C$	-4.0	-1.9	-0.5	mT
Hysteresis	$B_{HYST}$	$T_A = -40^\circ C$	1.7	4.2	6.8	mT
		$T_A = 25^\circ C$	1.7	4	6.8	mT
		$T_A = 150^\circ C$	1.7	3.8	6.8	mT

### 6.2. MLX92214KSE-AAA-000-RE

DC Operating Parameters  $T_A = -40$  upto  $125$  °C,  $V_{DD} = 2.5V$  to  $5.5V$  (unless otherwise specified)

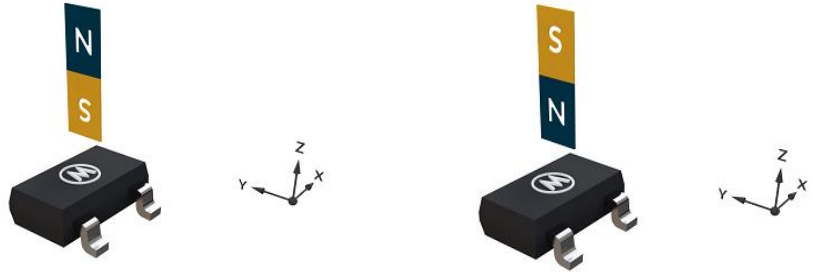
Parameter	Symbol	Test Conditions	Min	Typ	Max	Units
Operating Point	$B_{OP}$	$T_A = -40^\circ C$	0.5	2.1	4.0	mT
		$T_A = 25^\circ C$	0.5	<b>2.0</b>	4.0	mT
		$T_A = 125^\circ C$	0.5	1.9	4.0	mT
Release Point	$B_{RP}$	$T_A = -40^\circ C$	-4.0	-2.1	-0.5	mT
		$T_A = 25^\circ C$	-4.0	<b>-2.0</b>	-0.5	mT
		$T_A = 125^\circ C$	-4.0	-1.9	-0.5	mT
Hysteresis	$B_{HYST}$	$T_A = -40^\circ C$	1.7	4.2	6.8	mT
		$T_A = 25^\circ C$	1.7	4	6.8	mT
		$T_A = 125^\circ C$	1.7	3.8	6.8	mT

## 7. Output behaviour versus Magnetic Field

### 7.1. Latch sensor: MLX92214xSE-AAA-000

Output behaviour versus magnetic pole <sup>(1)</sup>

Parameter	Test Conditions	OUT
South pole	$B > B_{OP}$	Low
North pole	$B < B_{RP}$	High



## 8. Detailed General Description

Based on mixed signal CMOS technology, MLX92214 is a Hall-effect device with very high magnetic sensitivity allowing the use of generic magnets, weak magnets or larger air gap.

The chopper-stabilized amplifier uses switched capacitor techniques to suppress the offset generally observed with Hall sensors and amplifiers. The CMOS technology makes this advanced technique possible and contributes to smaller chip size and lower current consumption than bipolar technology. The small chip size is also an important factor to minimize the effect of physical stress.

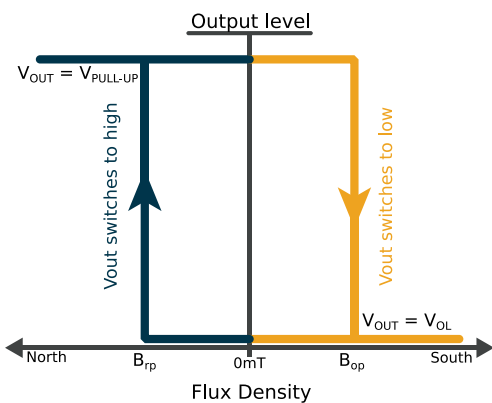
This combination results in more stable magnetic characteristics and enables faster and more precise design.

The operating voltage from 2.5V to 5.5V, low current consumption and large choice of operating temperature range according to “L” specification make this device suitable for automotive, industrial and consumer low voltage applications.

The output signal is open-drain type. Such output allows simple connectivity with TTL or CMOS logic by using a pull-up resistor tied between a pull-up voltage and the device output

## 9. Latch characteristics

The MLX92214-AAA exhibits magnetic latching characteristics.



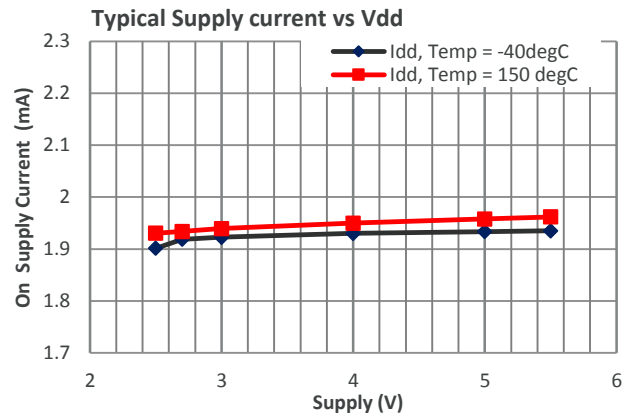
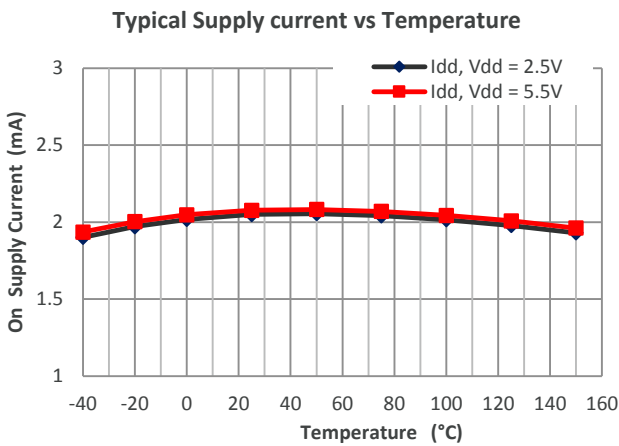
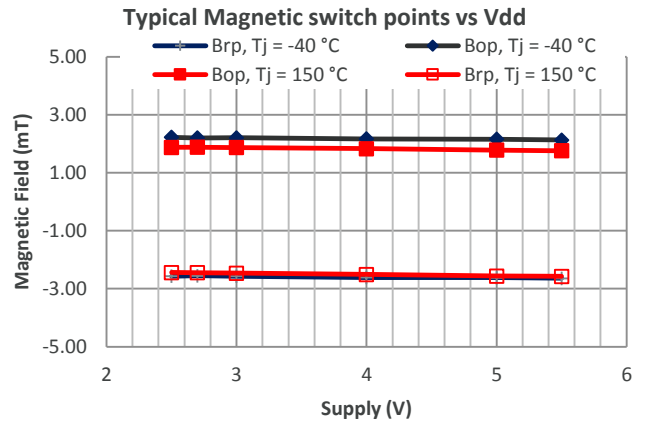
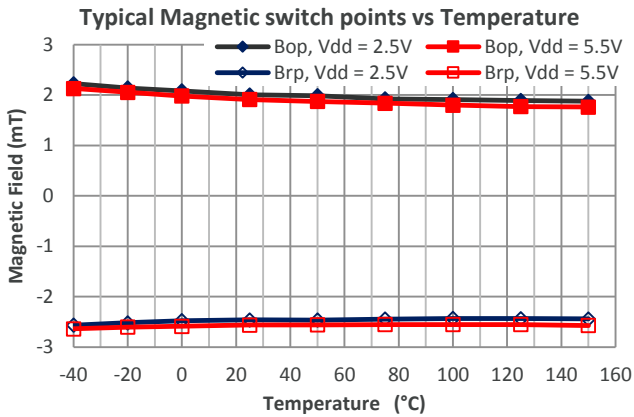
Typically, the device behaves as a latch with symmetric operating and release switching points ( $B_{OP} = |B_{RP}|$ ). This means magnetic fields with equivalent strength and opposite direction drive the output high and low.

Removing the magnetic field ( $B \rightarrow 0$ ) keeps the output in its previous state. This latching property defines the device as a magnetic memory.

<sup>1</sup> Magnetic pole facing the branded / top side of the package

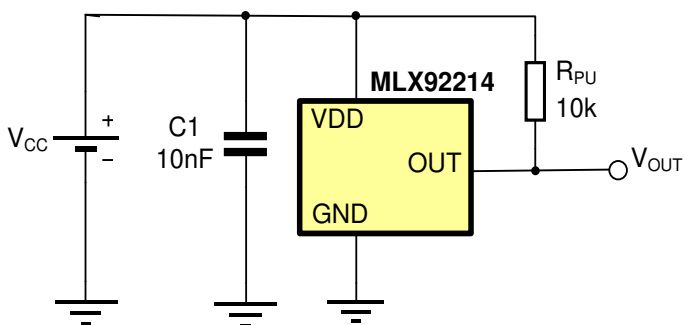
## 10. Performance graphs

### 10.1. MLX92214xSE -AAA-000



## 11. Application Information

### 11.1. Typical Three-Wire Application Circuit



**Notes:**

1. For proper operation, a 10nF to 100nF bypass capacitor should be placed as close as possible to the V<sub>DD</sub> and ground pin.
2. A capacitor connected to the output is not obligatory, because the output slope is generated internally.

## 12. Standard information regarding manufacturability of Melexis products with different soldering processes

Our products are classified and qualified regarding soldering technology, solderability and moisture sensitivity level according to following test methods:

### Reflow Soldering SMD's (Surface Mount Devices)

- IPC/JEDEC J-STD-020  
Moisture/Reflow Sensitivity Classification for Nonhermetic Solid State Surface Mount Devices (classification reflow profiles according to table 5-2)
- EIA/JEDEC JESD22-A113  
Preconditioning of Nonhermetic Surface Mount Devices Prior to Reliability Testing (reflow profiles according to table 2)

### Wave Soldering SMD's (Surface Mount Devices) and THD's (Through Hole Devices)

- EN60749-20  
Resistance of plastic- encapsulated SMD's to combined effect of moisture and soldering heat
- EIA/JEDEC JESD22-B106 and EN60749-15  
Resistance to soldering temperature for through-hole mounted devices

### Iron Soldering THD's (Through Hole Devices)

- EN60749-15  
Resistance to soldering temperature for through-hole mounted devices

### Solderability SMD's (Surface Mount Devices) and THD's (Through Hole Devices)

- EIA/JEDEC JESD22-B102 and EN60749-21  
Solderability

For all soldering technologies deviating from above mentioned standard conditions (regarding peak temperature, temperature gradient, temperature profile etc) additional classification and qualification tests have to be agreed upon with Melexis.

The application of Wave Soldering for SMD's is allowed only after consulting Melexis regarding assurance of adhesive strength between device and board.

Melexis recommends reviewing on our web site the General Guidelines [soldering recommendation](#) as well as [trim&form recommendations](#)

Melexis is contributing to global environmental conservation by promoting **lead free** solutions. For more information on qualifications of **RoHS** compliant products (RoHS = European directive on the Restriction Of the use of certain Hazardous Substances) please visit the quality page on our website: <http://www.melexis.com/quality.aspx>

## 13. ESD Precautions

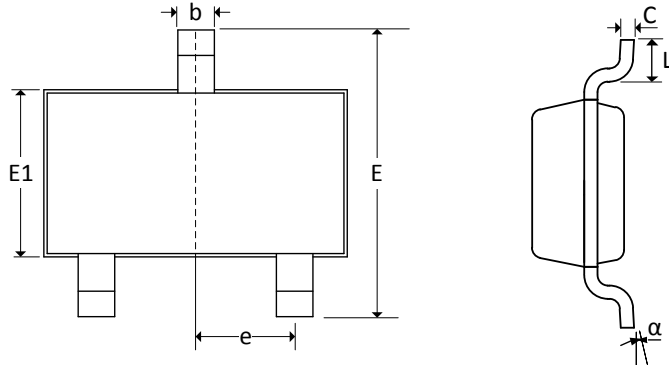
Electronic semiconductor products are sensitive to Electro Static Discharge (ESD).

Always observe Electro Static Discharge control procedures whenever handling semiconductor products.



## 14. Package Information

### 14.1. SE (TSOT-3L) Package Information



**Notes:**

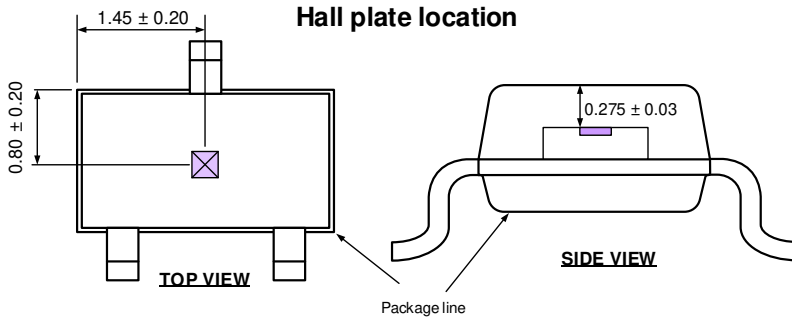
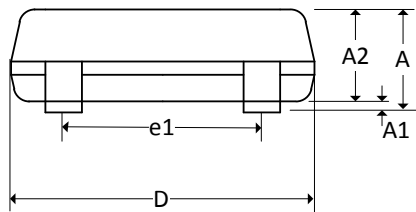
1. All dimensions are in millimeters
2. Outermost plastic extreme width does not include mold flash or protrusions. Mold flash and protrusions shall not exceed 0.15mm per side.
3. Outermost plastic extreme length does not include mold flash or protrusions. Mold flash and protrusions shall not exceed 0.25mm per side.
4. The lead width dimension does not include dambar protrusion. Allowable dambar protrusion shall be 0.07mm total in excess of the lead width dimension at maximum material condition.
5. Dimension is the length of terminal for soldering to a substrate.
6. Formed lead shall be planar with respect to one another with 0.076mm at seating plane.

**Marking:**

Top side : MLX92214KSE-AAA-000 = 4KYY ( YY = year code)

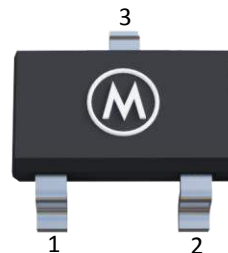
MLX92214LSE-AAA-000 = 4LYY ( YY = year code)

Bottom side: LLLL= last 4 digits from lot#



	A	A1	A2	D	E	E1	L	b	c	e	e1	$\alpha$
min	–	0.025	0.85	2.80	2.60	1.50	0.30	0.30	0.10	0.95	1.90	0°
max	1.00	0.10	0.90	3.00	3.00	1.70	0.50	0.45	0.20	BSC	BSC	8°

Pin №	Name	Type	Function
1	VDD	Supply	Supply Voltage
2	OUT	Output	Open Drain
3	GND	Ground	Ground pin



## 15. Contact

For the latest version of this document, go to our website at [www.melexis.com](http://www.melexis.com).

For additional information, please contact our Direct Sales team and get help for your specific needs:

Europe, Africa	Telephone: +32 13 67 04 95
	Email : sales_europe@melexis.com
Americas	Telephone: +1 603 223 2362
	Email : sales_usa@melexis.com
Asia	Email : sales_asia@melexis.com

## 16. Disclaimer

*The content of this document is believed to be correct and accurate. However, the content of this document is furnished "as is" for informational use only and no representation, nor warranty is provided by Melexis about its accuracy, nor about the results of its implementation. Melexis assumes no responsibility or liability for any errors or inaccuracies that may appear in this document. Customer will follow the practices contained in this document under its sole responsibility. This documentation is in fact provided without warranty, term, or condition of any kind, either implied or expressed, including but not limited to warranties of merchantability, satisfactory quality, non-infringement, and fitness for purpose. Melexis, its employees and agents and its affiliates' and their employees and agents will not be responsible for any loss, however arising, from the use of, or reliance on this document. Notwithstanding the foregoing, contractual obligations expressly undertaken in writing by Melexis prevail over this disclaimer.*

*This document is subject to change without notice, and should not be construed as a commitment by Melexis. Therefore, before placing orders or prior to designing the product into a system, users or any third party should obtain the latest version of the relevant information.*

*Users or any third party must determine the suitability of the product described in this document for its application, including the level of reliability required and determine whether it is fit for a particular purpose.*

*This document as well as the product here described may be subject to export control regulations. Be aware that export might require a prior authorization from competent authorities. The product is not designed, authorized or warranted to be suitable in applications requiring extended temperature range and/or unusual environmental requirements. High reliability applications, such as medical life-support or life-sustaining equipment or avionics application are specifically excluded by Melexis. The product may not be used for the following applications subject to export control regulations: the development, production, processing, operation, maintenance, storage, recognition or proliferation of:*

- 1. chemical, biological or nuclear weapons, or for the development, production, maintenance or storage of missiles for such weapons;*
- 2. civil firearms, including spare parts or ammunition for such arms;*
- 3. defense related products, or other material for military use or for law enforcement;*
- 4. any applications that, alone or in combination with other goods, substances or organisms could cause serious harm to persons or goods and that can be used as a means of violence in an armed conflict or any similar violent situation.*

*No license nor any other right or interest is granted to any of Melexis' or third party's intellectual property rights.*

*If this document is marked "restricted" or with similar words, or if in any case the content of this document is to be reasonably understood as being confidential, the recipient of this document shall not communicate, nor disclose to any third party, any part of the document without Melexis' express written consent. The recipient shall take all necessary measures to apply and preserve the confidential character of the document. In particular, the recipient shall (i) hold document in confidence with at least the same degree of care by which it maintains the confidentiality of its own proprietary and confidential information, but no less than reasonable care; (ii) restrict the disclosure of the document solely to its employees for the purpose for which this document was received, on a strictly need to know basis and providing that such persons to whom the document is disclosed are bound by confidentiality terms substantially similar to those in this disclaimer; (iii) use the document only in connection with the purpose for which this document was received, and reproduce document only to the extent necessary for such purposes; (iv) not use the document for commercial purposes or to the detriment of Melexis or its customers. The confidentiality obligations set forth in this disclaimer will have indefinite duration and in any case they will be effective for no less than 10 years from the receipt of this document.*

*This disclaimer will be governed by and construed in accordance with Belgian law and any disputes relating to this disclaimer will be subject to the exclusive jurisdiction of the courts of Brussels, Belgium.*

*The invalidity or ineffectiveness of any of the provisions of this disclaimer does not affect the validity or effectiveness of the other provisions. The previous versions of this document are repealed.*

*Melexis © - No part of this document may be reproduced without the prior written consent of Melexis. (2020)*

*IATF 16949 and ISO 14001 Certified*