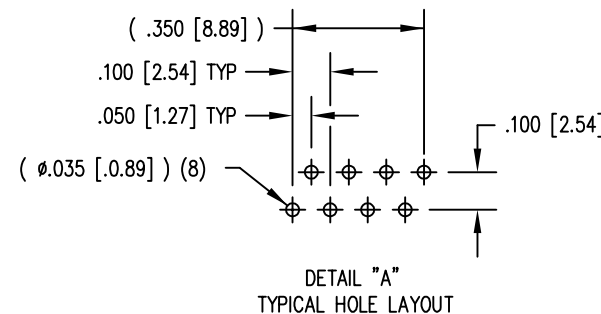
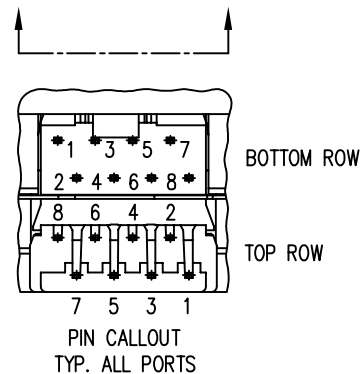
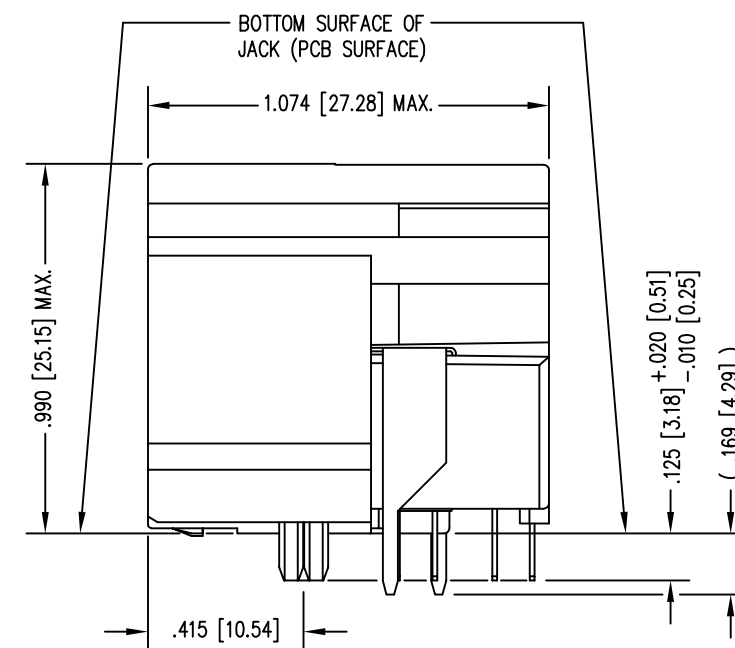
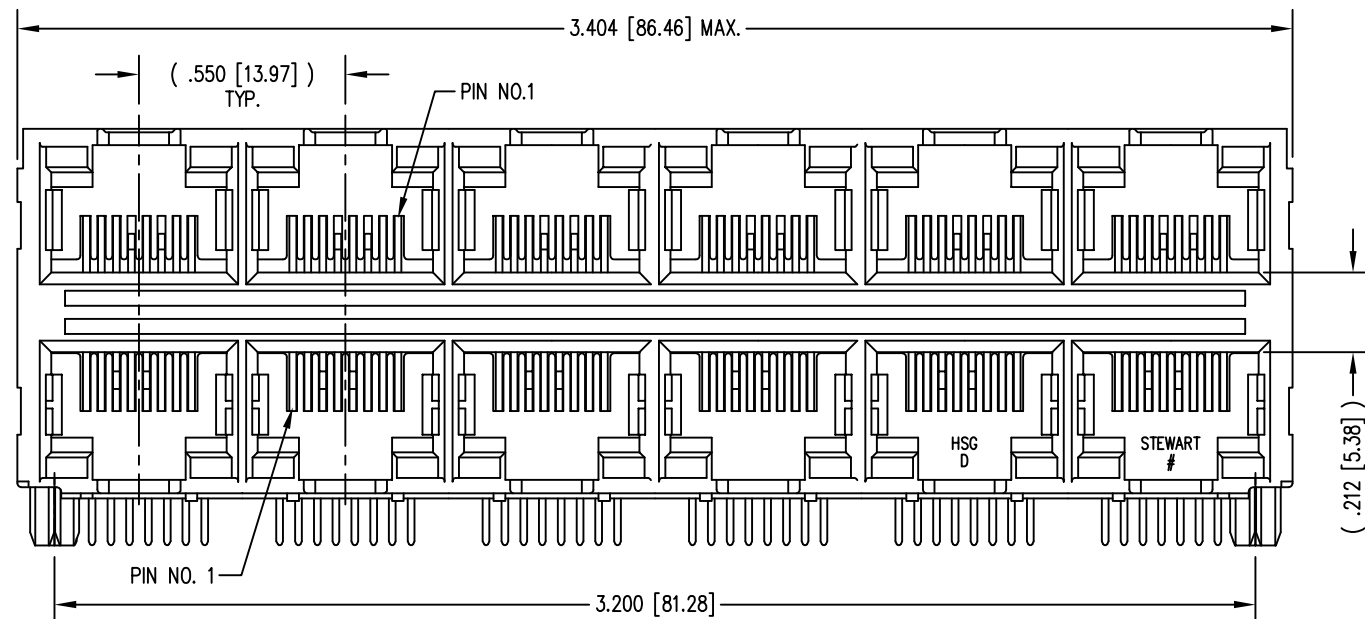
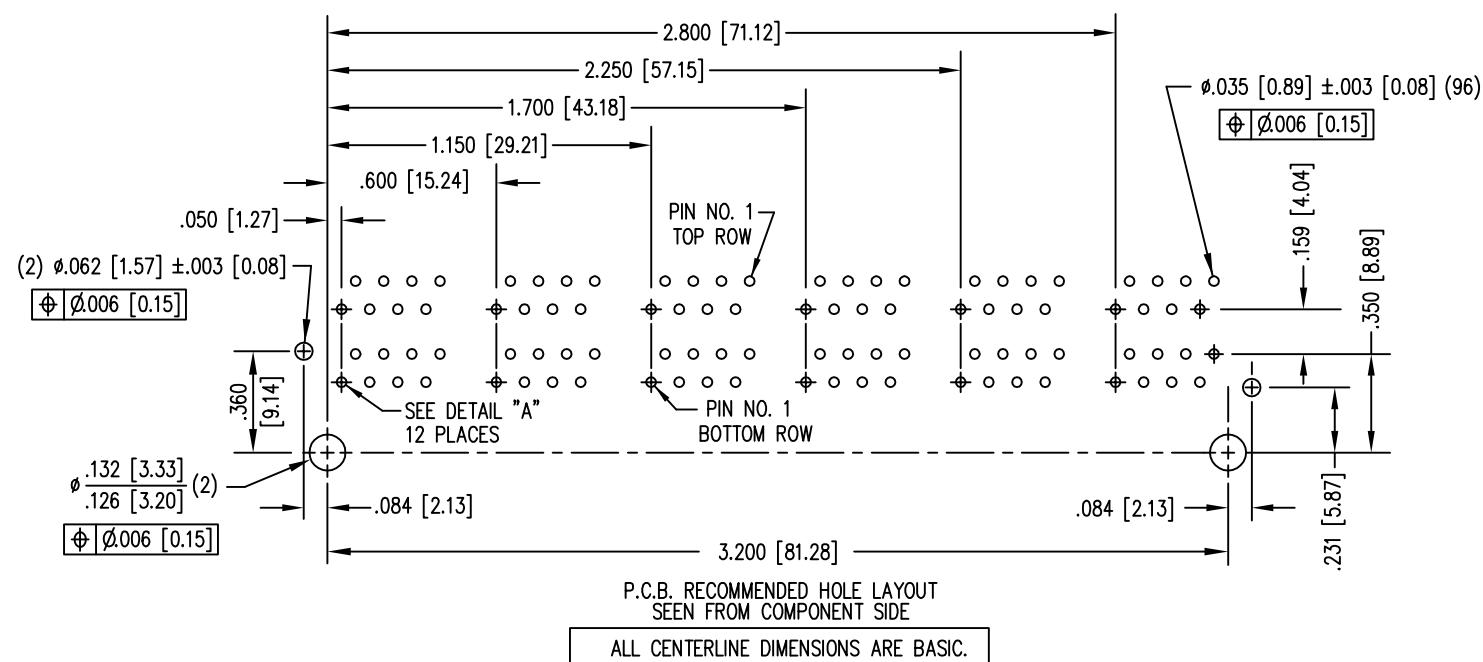


DATE	REV	ECN	APP'D. BY
2-25-16	A7	10567	TRM
10-31-16	A8	10807	TRM



NOTES:

- CONNECTOR MATERIALS:  
HOUSING: THERMOPLASTIC UL94 V-0  
CONTACTS/SHIELD: COPPER ALLOY  
SHIELD PLATING: NICKEL OR TIN  
CONTACT PLATING: SELECTIVE GOLD IN CONTACT AREA  
SEE CHART FOR PART NUMBER
- FOR PRODUCT SPECIFICATIONS SEE PR022-01.
- DIMENSIONS AND TOLERANCES COMPLY WITH TIA-1096 STANDARD.
- DESIGNED FOR CATEGORY CAT 5/5e APPLICATIONS.



30 MICRO-INCHES [0.76um]	SS-73100-070
CONTACT PLATING IN MATING AREA	PART NUMBER

THIRD ANGLE PROJECTION	
DO NOT SCALE DRAWING DRAWING IS SUBJECT TO CHANGE WITHOUT NOTICE	
DIMENSIONS: INCHES [METRIC]	
UNLESS OTHERWISE SPECIFIED TOLERANCES ARE ±.005 [0.13] ANGLES ARE ± 1°	
SHEET NO. 1 OF 1	

1118 Susquehanna Trail South  
Glen Rock, PA 17327-9199  
(717) 235-7512  
<http://www.stewartconnector.com>

TITLE: HIGH PERFORMANCE UNSHIELDED STACK JACK 50 MICRO INCHES GOLD, 12 PORTS (6 ON 6)	
DRN BY: KRL	DATE 2/3/06
APPD BY: TRM	DATE 5-11-06
DWG NO. CT730073	REV. A8

