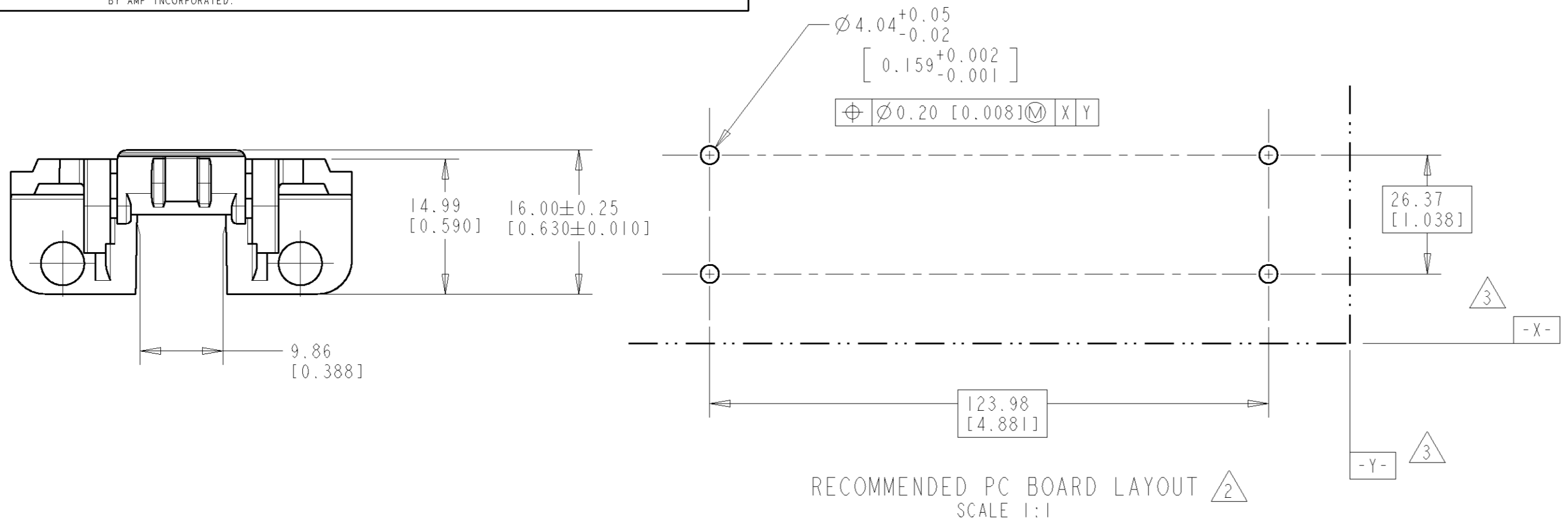


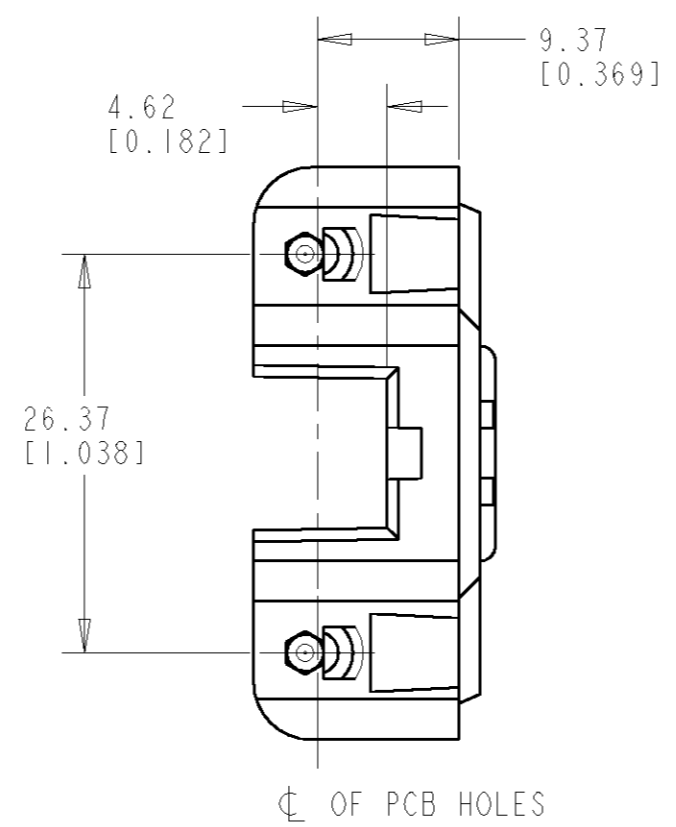
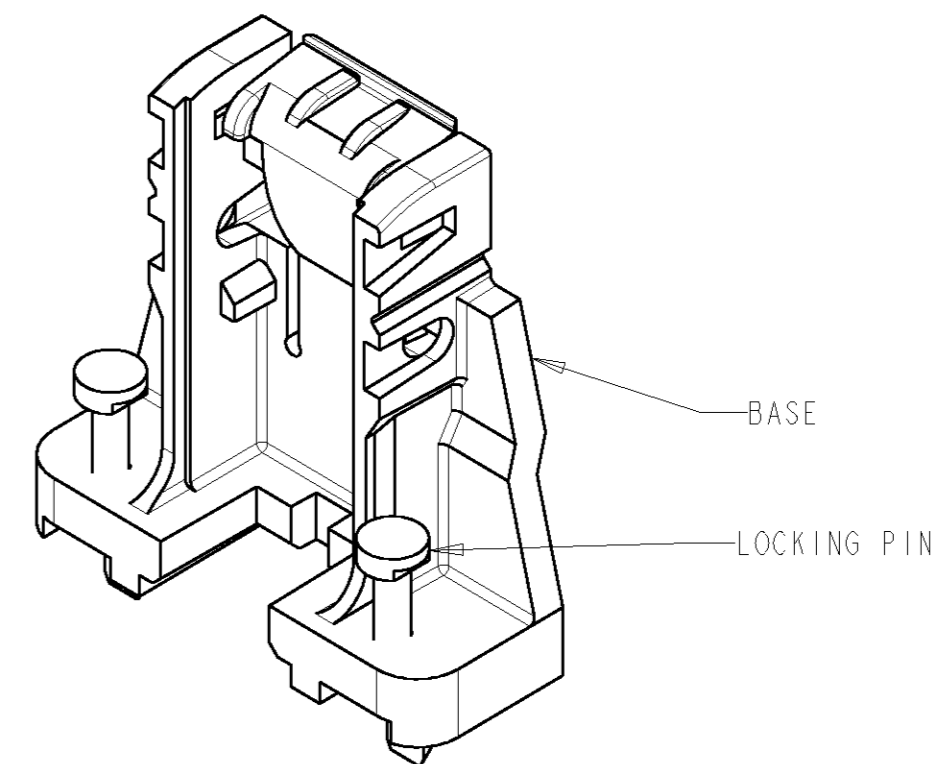
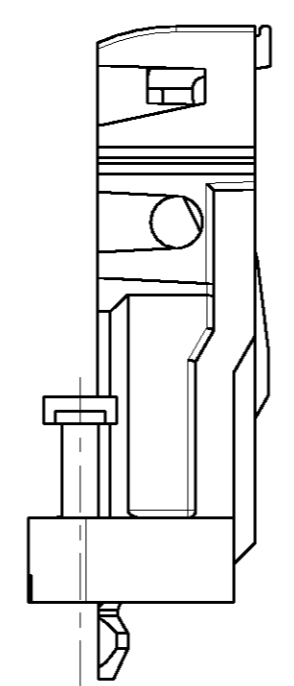
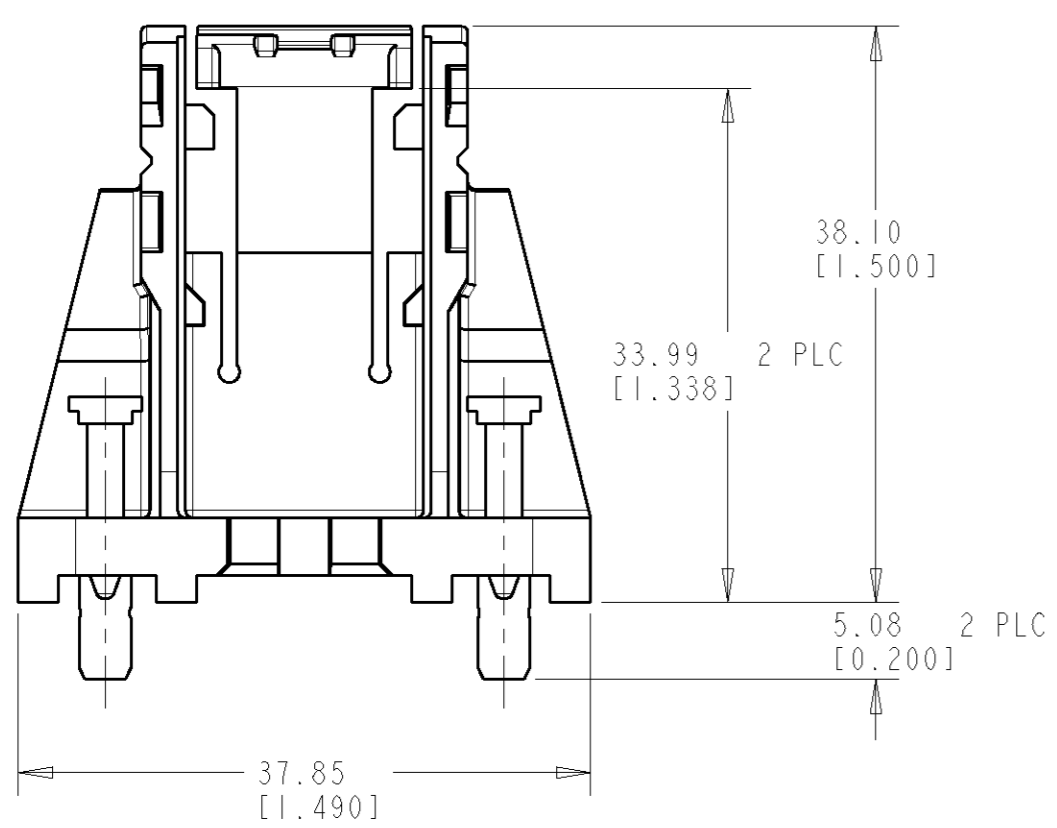
THIS DRAWING IS UNPUBLISHED. RELEASED FOR PUBLICATION .19
 BY AMP INCORPORATED. ALL RIGHTS RESERVED.

LOC	DIST	REVISIONS					
AD	14	P	LTR	DESCRIPTION	DATE	DWN	APVD
		0		RELEASED	16MAR99	RB	KS



- 1 MATERIAL: UL 94-VO RATED POLYCARBONATE, BLACK.
- 2 RECOMMENDED PC BOARD THICKNESS OF 1.57±0.15 [0.062±0.006].
- 3 DATUM AND BASIC DIMENSIONS ESTABLISHED BY CUSTOMER.
- 4 EACH PROCESSOR INSTALLATION REQ'S TWO RETENTION MODULES.

RECOMMENDED PC BOARD LAYOUT 2
 SCALE 1:1



2 MODULES WITH LOCKING PINS	145451-2
1 MODULE WITH LOCKING PINS	145451-1
DESCRIPTION	4 PART NUMBER

THIS DRAWING IS A CONTROLLED DOCUMENT FOR AMP INCORPORATED. IT IS SUBJECT TO CHANGE AND THE CONTROLLING ENGINEERING ORGANIZATION SHOULD BE CONTACTED FOR THE LATEST REVISION.		DWN R BROWN 16MAR99	AMP Incorporated Harrisburg, PA 17105-3608	
DIMENSIONS: mm [INCHES]	TOLERANCES UNLESS OTHERWISE SPECIFIED: 0 PLC ± 1 PLC ± 2 PLC ±0.13 [0.005] 3 PLC ± 4 PLC ± ANGLES ± FINISH -	CHK K STILES 16MAR99	NAME UNIVERSAL RETENTION MODULE ASSEMBLY KIT, PIN FASTENER SHORT LATCH	
		APVD D SUMMERS 16MAR99	PRODUCT SPEC 108-1826	APPLICATION SPEC
MATERIAL 1		WEIGHT -	SIZE A2	RESTRICTED TO -
CUSTOMER DRAWING		SCALE 2:1	CAGE CODE 00779	DRAWING NO. 145451
		SHEET 1	OF 1	REV 0