

PTS 1,5/ 3-5,0-H AP TRB BK - PCB terminal block



1709567

<https://www.phoenixcontact.com/us/products/1709567>

Please be informed that the data shown in this PDF document is generated from our online catalog. Please find the complete data in the user documentation. Our general terms of use for downloads are valid.



PCB terminal block, number of potentials: 3, number of rows: 1, number of positions per row: 3, product range: PTSH 1,5/..-H, pitch: 5 mm, connection method: Push-in connection, mounting: Wave soldering, conductor/PCB connection direction: 0 °, color: black, Pin layout: Linear pinning, Solder pin [P]: 2.5 mm, number of solder pins per potential: 1, type of packaging: packed in cardboard

Your advantages

- Time saving push-in connection, tools not required
- Defined contact force ensures that contact remains stable over the long term
- Finger-operated release button for very convenient operation
- Anti-rotation pins reduce the mechanical strain on the soldering spots

Commercial data

Item number	1709567
Packing unit	1 pc
Minimum order quantity	250 pc
Sales key	AA12
Product key	AALBEB
GTIN	4055626184593
Weight per piece (including packing)	2.664 g
Weight per piece (excluding packing)	2.623 g
Customs tariff number	85369010
Country of origin	IN

1709567

<https://www.phoenixcontact.com/us/products/1709567>

Technical data

Product properties

Type	PC termination block
Product line	COMBICON Terminals S
Product type	Printed circuit board terminal
Product family	PTSH 1,5/..-H
Number of positions	3
Pitch	5 mm
Number of connections	3
Number of rows	1
Number of potentials	3
Pin layout	Linear pinning
Solder pins per potential	1

Electrical properties

Degree of pollution	3
---------------------	---

Mounting

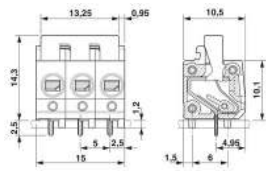
Mounting type	Wave soldering
Pin layout	Linear pinning
Connection method	Push-in spring connection

Material specifications

Material data - housing

Color (Housing)	black (9005)
-----------------	--------------

Dimensions

Dimensional drawing	
Pitch	5 mm
Width [w]	15 mm
Height [h]	16.8 mm
Length [l]	10.5 mm
Installed height	14.3 mm
Solder pin length [P]	2.5 mm

Environmental and real-life conditions

Ambient conditions

PTS 1,5/ 3-5,0-H AP TRB BK - PCB terminal block



1709567

<https://www.phoenixcontact.com/us/products/1709567>

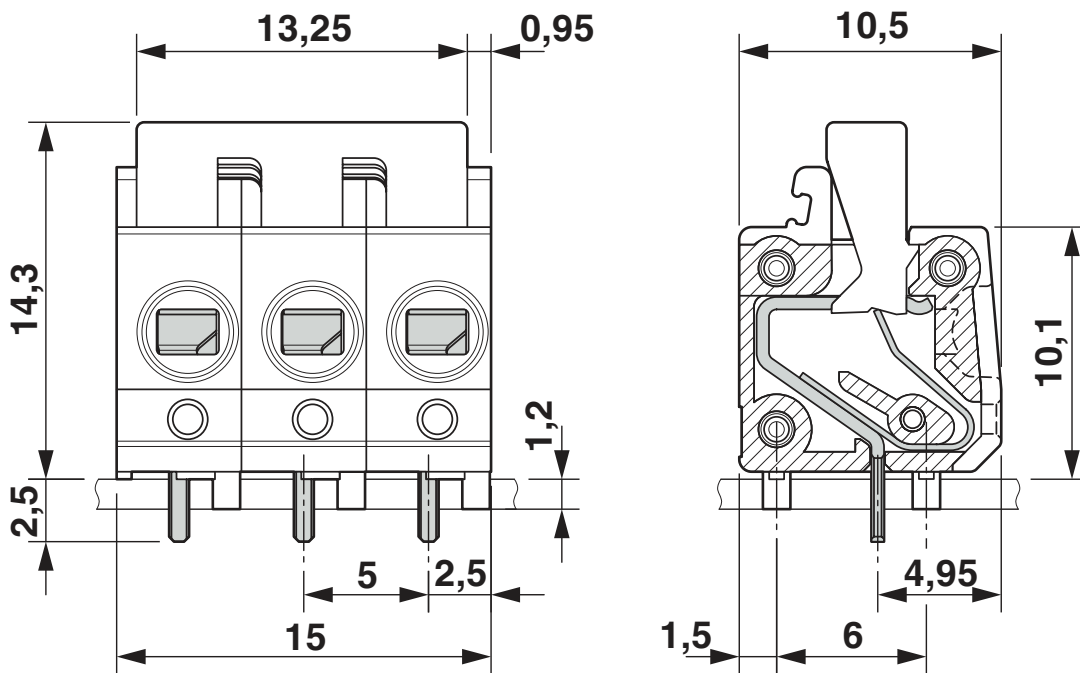
Ambient temperature (operation)	-40 °C (dependent on the derating curve)
Ambient temperature (storage/transport)	-40 °C ... 70 °C
Ambient temperature (assembly)	-5 °C ... 100 °C

Packaging specifications

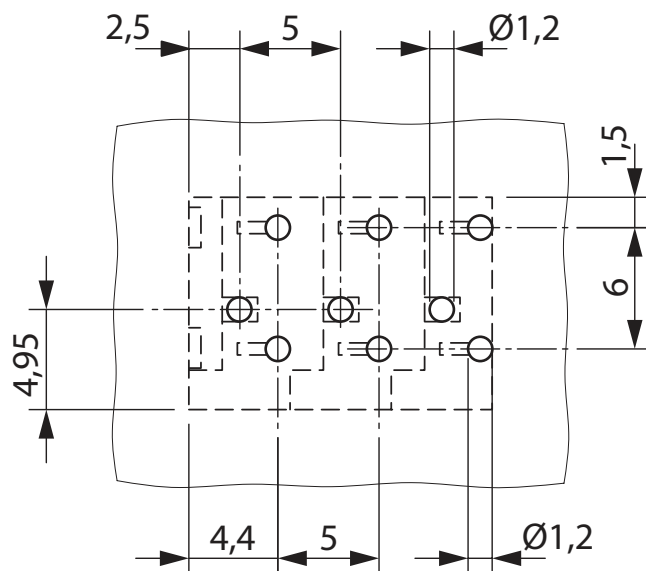
Type of packaging	packed in cardboard
-------------------	---------------------

Drawings

Dimensional drawing



Drilling plan/solder pad geometry



PTS 1,5/ 3-5,0-H AP TRB BK - PCB terminal block



1709567

<https://www.phoenixcontact.com/us/products/1709567>

Approvals

🔗 To download certificates, visit the product detail page: <https://www.phoenixcontact.com/us/products/1709567>



EAC

Approval ID: B.01687

PTS 1,5/ 3-5,0-H AP TRB BK - PCB terminal block



1709567

<https://www.phoenixcontact.com/us/products/1709567>

Classifications

ECLASS

ECLASS-11.0	27460101
ECLASS-12.0	27460101
ECLASS-13.0	27460101

ETIM

ETIM 8.0	EC002643
----------	----------

UNSPSC

UNSPSC 21.0	39121400
-------------	----------

PTS 1,5/ 3-5,0-H AP TRB BK - PCB terminal block



1709567

<https://www.phoenixcontact.com/us/products/1709567>

Environmental product compliance

China RoHS	Environmentally friendly use period: unlimited = EFUP-e
	No hazardous substances above threshold values

PTS 1,5/ 3-5,0-H AP TRB BK - PCB terminal block



1709567

<https://www.phoenixcontact.com/us/products/1709567>

Accessories

SZF 0-0,4X2,5 - Screwdriver

1204504

<https://www.phoenixcontact.com/us/products/1204504>



Actuation tool, for ST terminal blocks, also suitable for use as a bladed screwdriver, size: 0.4 x 2.5 x 75 mm, 2-component grip, with non-slip grip

Phoenix Contact 2023 © - all rights reserved
<https://www.phoenixcontact.com>

Phoenix Contact USA
586 Fulling Mill Road
Middletown, PA 17057, United States
(+717) 944-1300
info@phoenixcon.com