

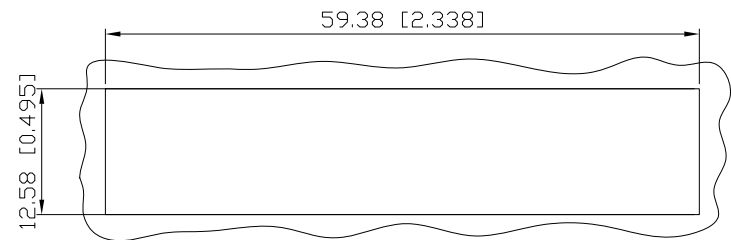
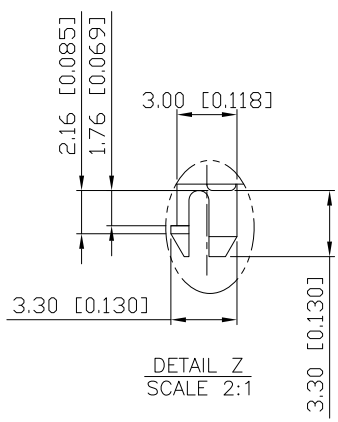
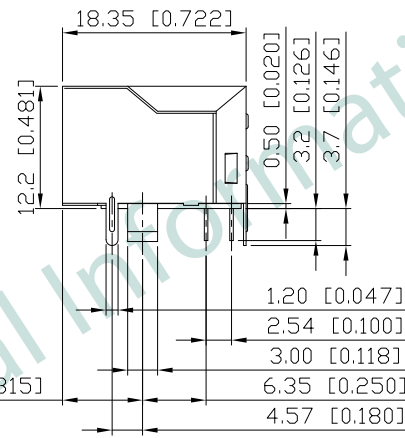
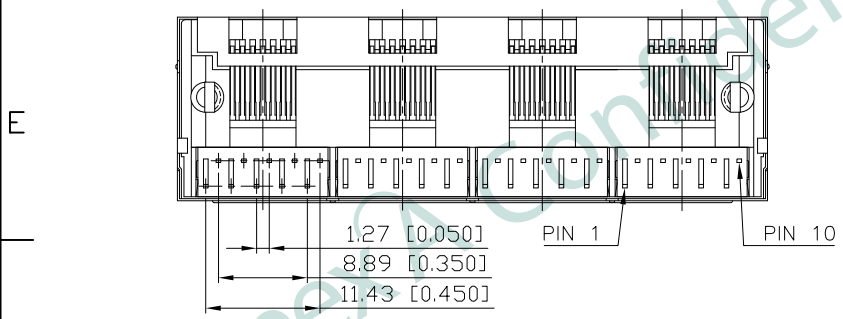
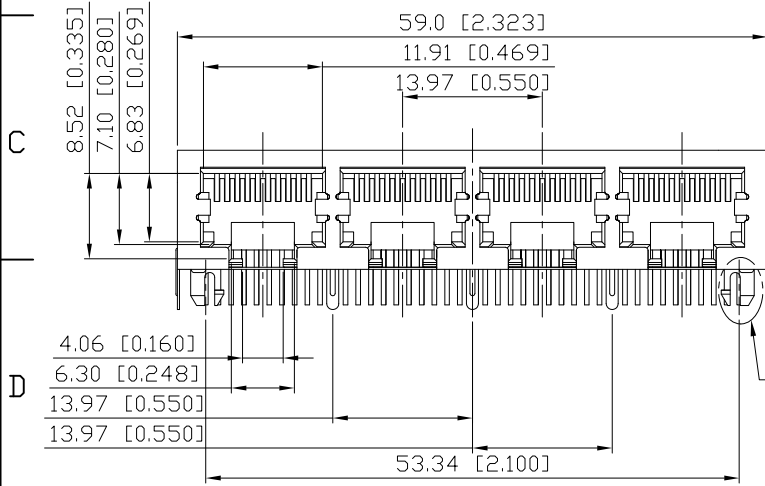
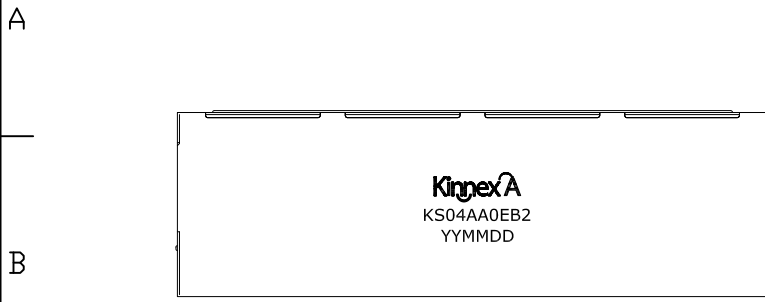
1. MECHANICAL DIMENSIONS :

REV.	DATE	DESCRIPTION
01	Nov. 03, '20	1st RELEASE

NOTES:

- MATERIAL:
HOUSING: HIGH THERMOPLASTIC, UL94V-0, BLACK
CONTACTS: PHOS-BRONZE,
30μ" GOLD PLATING ON CONTACT AREA,
GOLD FLASH ON SOLDER TAIL,
NICKEL UNDERPLATING OVERALL
SHIELD: BRASS, NICKEL PLATING
- OPERATING TEMPERATURE: -40°C~+85°C
- INSERTION FORCE: 4 POUNDS MAX.
EXTRACTION FORCE: 4 POUNDS MAX.
- DURABILITY: 750 MATING CYCLED MIN.
- CAVITY CONFORMS TO FCC RULES AND REGULATIONS PART 68, SUBPART F.
- UNSPECIFIED TOLERANCE: .XX ±0.25[0.010]
.X ±0.30[0.012]

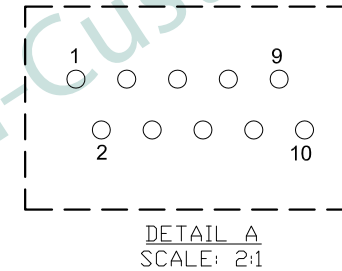
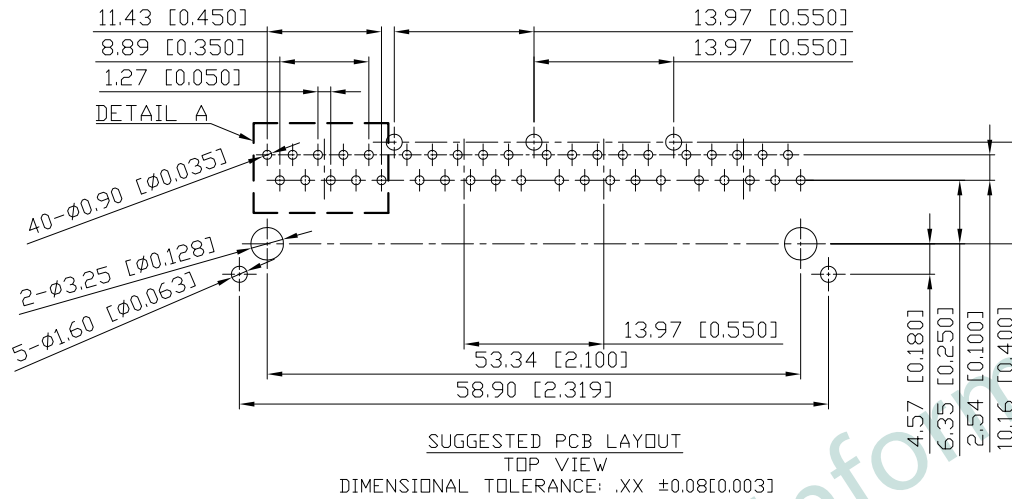
RoHS Compliant



RECOMMENDED
PANEL CUTOUT DIMENSION

PART NO		KRK-S-04-A-A-0-EB2-XXX		
TITLE	RJ45 1X4 10P10C, W/O LED, SHIELDED			
REV : 01				
UNIT	DRAWN	CHKD	DATE	SHEET
mm[inch]	CINDY	VINCENT	Nov. 03, '20	1 of 4

2. PCB LAYOUT :



KRK-S-04-A-A-0-EB2-XXX

PRODUCT SERIES
KRK: LATCH DOWN THRU HOLE

SHIELDED TYPE
S: SHIELDED

NO. OF PORTS

NO. OF POSITION

NO. OF CONTACT

CUSTOMER CODE

CONTACT GOLD PLATED
2: 30U" GOLD

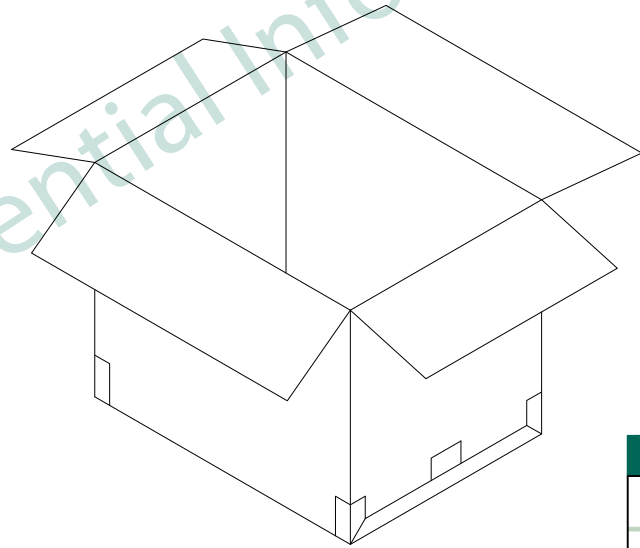
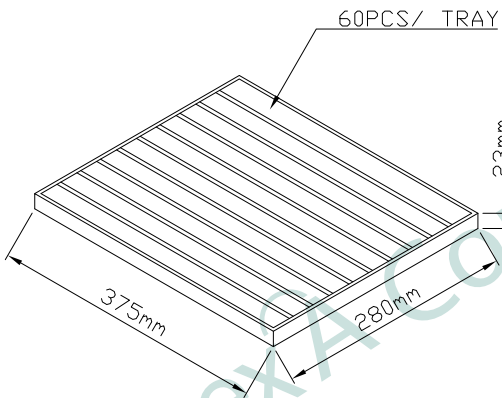
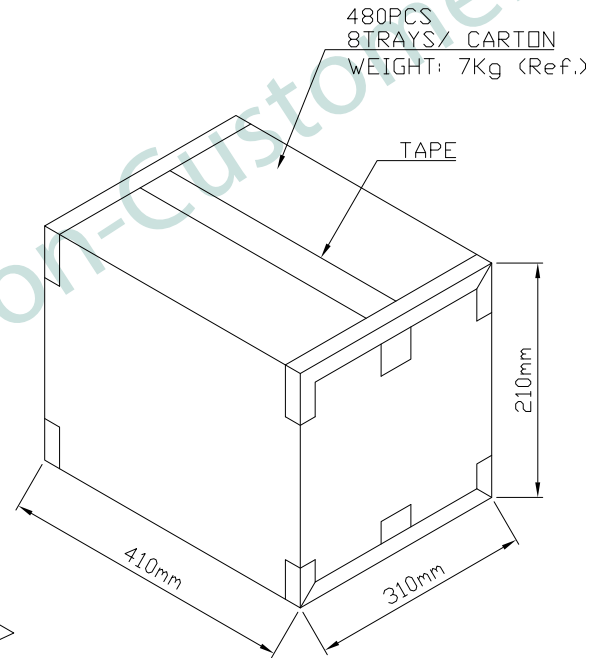
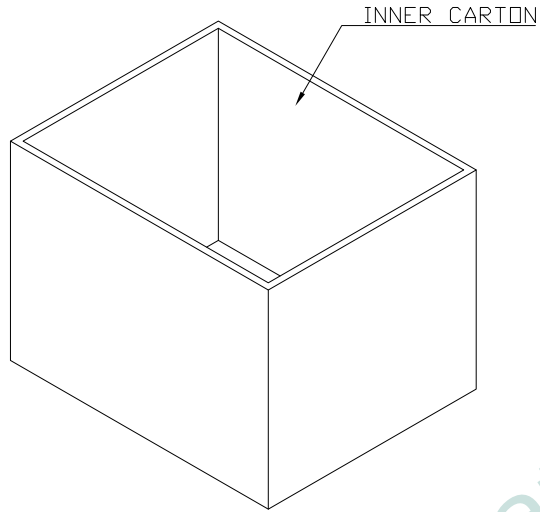
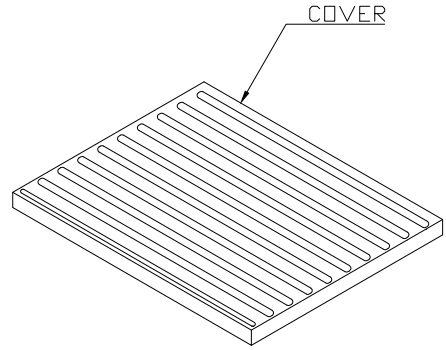
SERIAL NUMBER

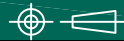
RUNNING CODE

LED COLOR OPTION

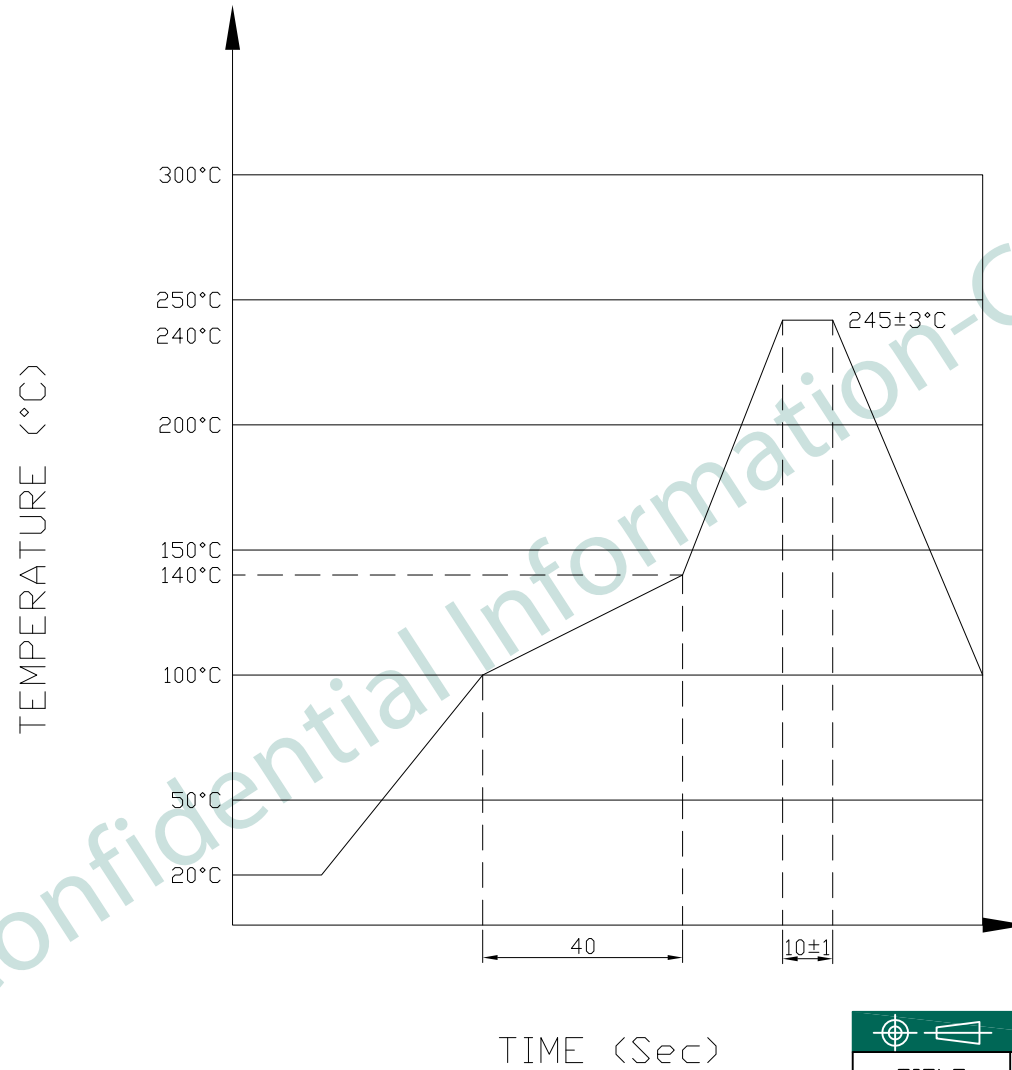
PART NO		KRK-S-04-A-A-0-EB2-XXX		
TITLE	RJ45 1X4 10P10C, W/O LED, SHIELDED			
REV : 01				
UNIT	DRAWN	CHKD	DATE	SHEET
mm[inch]	CINDY	VINCENT	Nov. 03, '20	2 of 4

3. PACKING SPECIFICATION:



 PART NO		KRK-S-04-A-A-0-EB2-XXX		
TITLE	RJ45 1X4 10P10C, W/O LED, SHIELDED			
REV : 01				
UNIT	DRAWN	CHKD	DATE	SHEET
mm[inch]	CINDY	VINCENT	Nov. 03, '20	3 of 4

4. PROFILE OF WAVE SOLDER :



THE MEASURING POINT FOR THE SPECIFIED TEMPERATURE SHALL BE ON THE SOLDERED PART OF THE LEAD

PART NO		KRK-S-04-A-A-0-EB2-XXX		
TITLE	RJ45 1X4 10P10C, W/O LED, SHIELDED			
REV : 01				
UNIT	DRAWN	CHKD	DATE	SHEET
mm[inch]	CINDY	VINCENT	Nov. 03, '20	4 of 4