

A

B

C

D

A

B

C

D

MATERIAL:

Thermoplastic

TEMPERATURE RANGE:

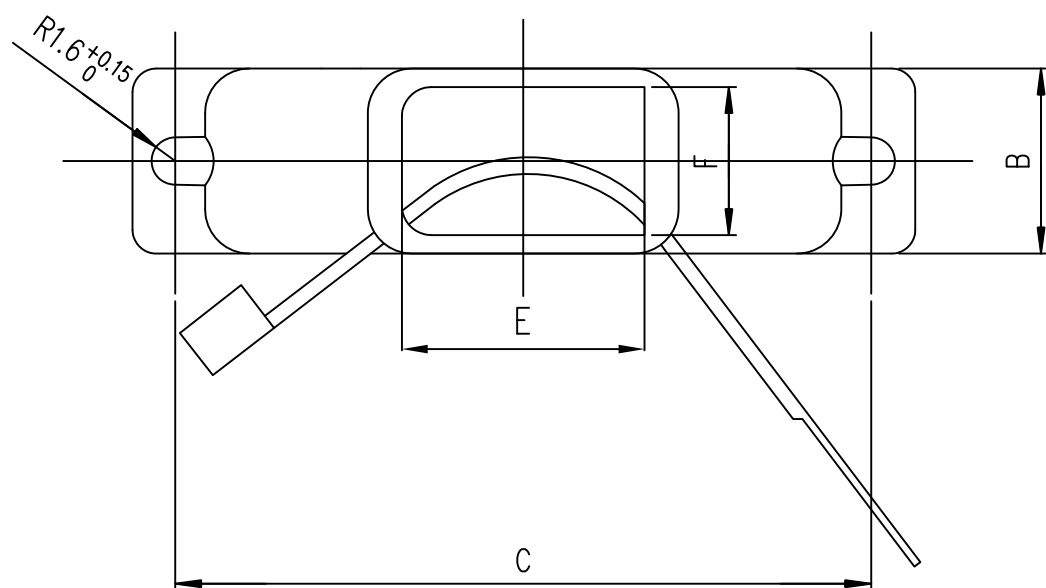
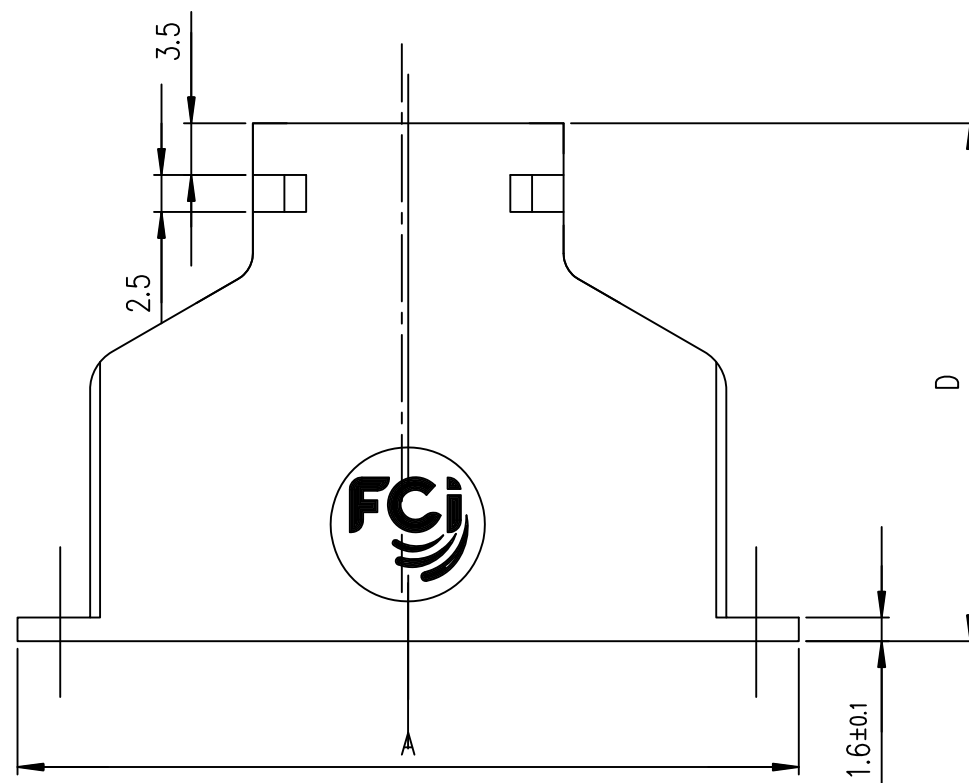
- Climatic category

-55°/ +125°

NOTE

COLOUR: -Black

TWO OPENINGS ON THE LONGER SIDE FOR CABLE TIE



Dimensions are in millimeters

Shell size	Number of contacts	A $+0.9$ -0.2	B $+0.10$ 0	C ± 0.05	D ± 0.10	E ± 0.10	F ± 0.10	PART NUMBER	PART NUMBER
E	09	30.60	12.50	25	29.00	9.99	9.99	863086BLF	863086B1OLF
A	15	38.90	12.50	33.32	29.00	11.99	9.99	863021BLF	863021B1OLF
B	25	52.80	12.50	47.05	35.00	16.40	9.99	863022BLF	863022B1OLF
C	37	69.10	12.50	63.50	41.00	23.49	9.99	863023BLF	863023B1OLF
D	50	66.70	15.30	61.10	41.00	23.49	12.79	863024BLF	863024B1OLF
								Packaging per 100 pieces	Packaging per 10 pieces

European Views

www.fciconnect.com			surface ISO 1302 <input checked="" type="checkbox"/>	tolerance std ISO 406 ISO 1101	projection 	mm
TOLERANCES UNLESS OTHERWISE SPECIFIED						
Dr	MASSON	2005/10/14	ANGULAR	LINEAR	0.X	±0.1
Eng	PESSON	2005/10/14			0.XX	±0.1
Chr	ALIAS BABU	2012/11/21	0.XX	±2	0.XXX	±0.1
Appr	MITHUN PAUL	2012/11/21	Product family		D-SUB	Spec ref -
FCI			title MONOBLOC PLASTIC HOODS FOR POTTING straight exit		dwg no C01-8655-1619	
-			-		Rev. E	
-			-		CUSTOMER sheet 1 of 1	

NOTE: RoHS INFORMATIONS

- The "LF" product meets European union Directives and other country regulations as described in GS-47-0004.
- The product is not intended to be exposed to a manufacturing solder process.
- Packaging spec: see GS-14-920.

rev	ecn no	dr	date
A	LS05-0086	MPE	2005/10/14
B	LS06-0095	LGO	2006/06/23
C	LS09-0006	PCR	2009/01/08
D	LS09-0006	AMR	2011/03/19
E	ELX-I-14336-1	AB	2012/11/21
-	-	-	-
-	-	-	-



Copyright FCI.