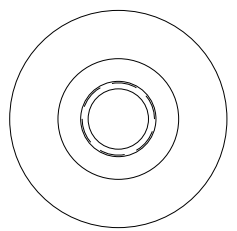
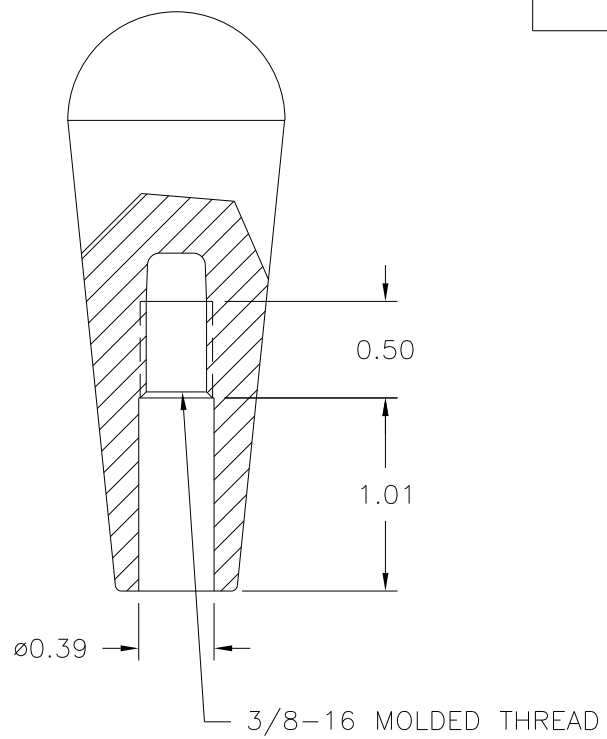
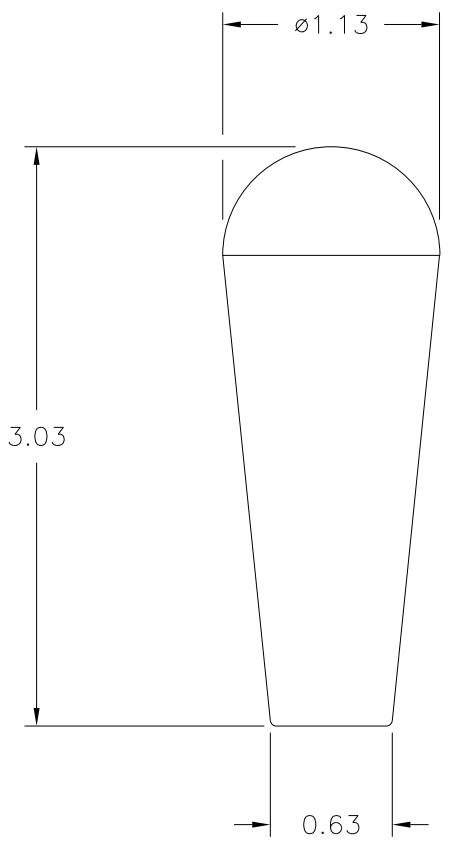


PART NAME: HANDLE SCALE: 1:1 DATE: 8/26/66 DR. BY MS

THIS DRAWING IS THE PROPERTY OF DAVIES MOLDING COMPANY, IS SUBMITTED SOLELY AS A DESIGN OR ENGINEERING PROJECT. WE ACCEPT NO RESPONSIBILITY WHATSOEVER FOR THE PRACTICAL APPLICATION OF THE PIECES MADE TO THIS DESIGN.

DAVIES MOLDING DESIGNERS & MANUFACTURERS OF KNOBS, HANDLES, CASES & CUSTOM PLASTIC COMPONENTS

P/N 0697	
M NO. 5682	
CAVITY	5870
PLUNGER	5870
THD. CORE	5870
STOOLS	5870
PIN RET.	5870



MATERIAL: G.P. PHENOLIC (B11)
 COLOR: BLACK

TOLERANCES: UNLESS OTHERWISE SPECIFIED	DO NOT SCALE DRAWING				
DECIMALS: X.XXX ± .005 X.XX ± .015	MM: X.XX ± 0.15MM X.X ± 0.4MM	-	Redid Redraw	TS	9/1/99
FRACTIONS ± 1/64	ANG. ± 1°	-	CAD/REDRAWN	HD	5/21/93
CHANGES					