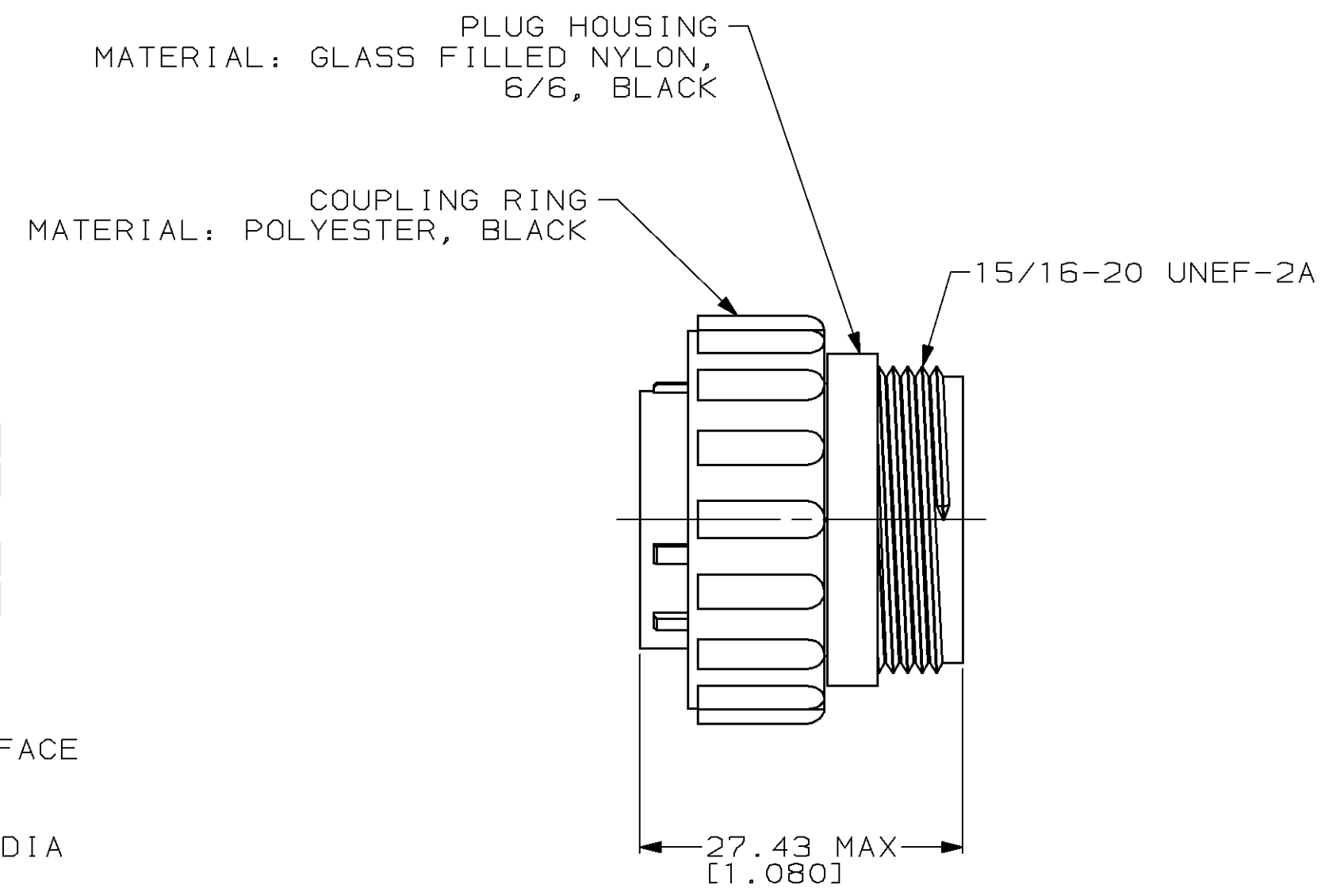
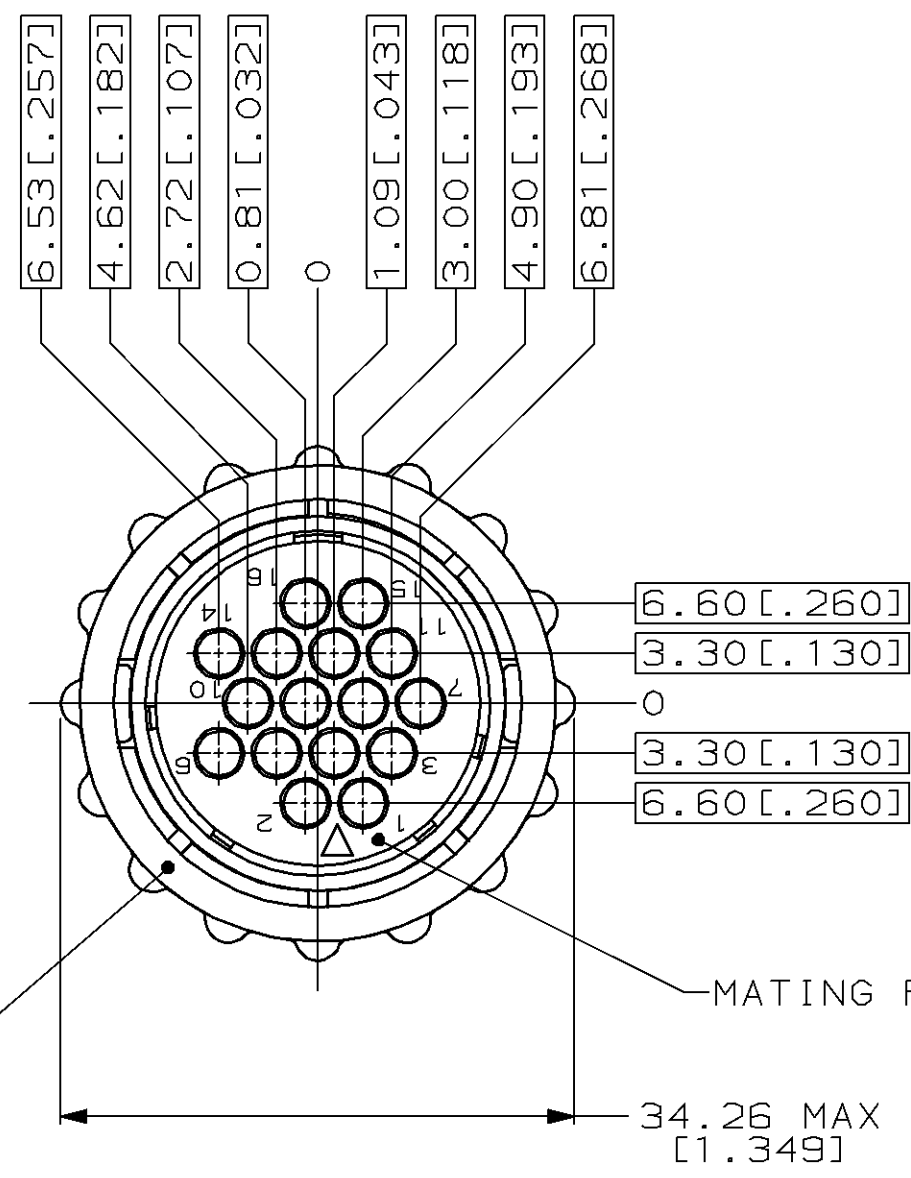


THIS DRAWING IS UNPUBLISHED. RELEASED FOR PUBLICATION
 © COPYRIGHT 19 BY AMP INCORPORATED. ALL INTERNATIONAL RIGHTS RESERVED.

LOC	DIST	P	F	ZONE	LTR	DESCRIPTION	DATE	APPD
FT	4				F	REDRAWN W/O CHANGE PER EC 0020-600-94	06/17/94	AF
					G	REV PER EC 0020-568-95	19 JUL 95	AF
					H	REV PER EC 0320-244-97	06 OCT 97	KD



AMP PART NO & DATE CODE THIS SURFACE

MATING FACE

- CONTACT CAVITIES IDENTIFIED BY CHARACTERS ON FRONT AND REAR FACES OF CONNECTOR.
- WILL ACCEPT SIXTEEN (16) MULTIMATE SOCKET CONTACTS.

THIS DRAWING IS A CONTROLLED DOCUMENT FOR AMP INCORPORATED. IT IS SUBJECT TO CHANGE AND THE CONTROLLING ENGINEERING ORGANIZATION SHOULD BE CONTACTED FOR THE LATEST REVISION.

DO NOT SCALE PRINT. UNLESS SPECIFIED DIMENSIONS IN mm [INCHES] TOLERANCES ON:		DR 06-17-94 D.HARDY		206554-1	
2 PLC DEC ± -		CHK 06-24-94 R.STONE		PART NO	
3 PLC DEC ± -		APPD 08-09-94 A.FRANTUM		AMP Incorporated Harrisburg, PA 17105-3608	
ANGLES ± -		APPD 08-09-94 A.FRANTUM		NAME	
MATERIAL		PRODUCT SPEC		PLUG ASSEMBLY, STANDARD SEX, 17-16, CPC	
SEE CALLOUTS		APPLICATION SPEC		SIZE	
FINISH		-		CAGE CODE	
-		-		00779	
WEIGHT		-		DRAWING NO	
-		-		C=206554	
		SCALE		SHEET	
		2:1		1 OF 1	