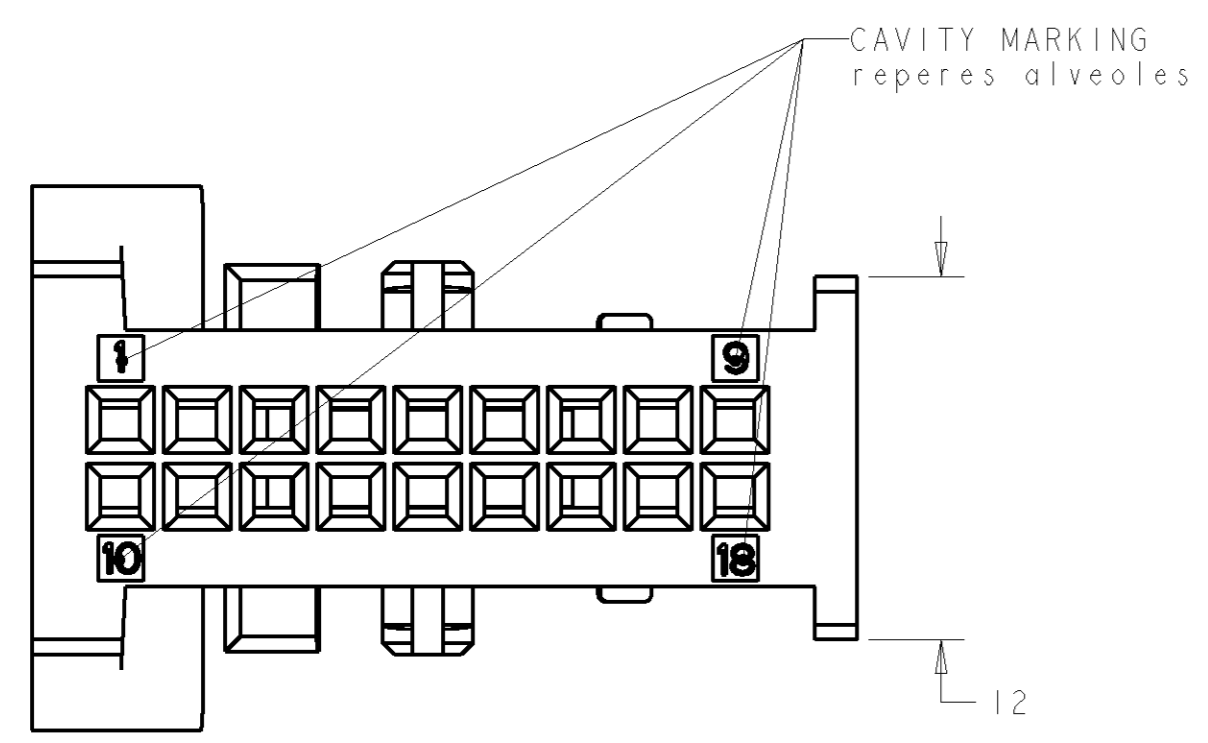
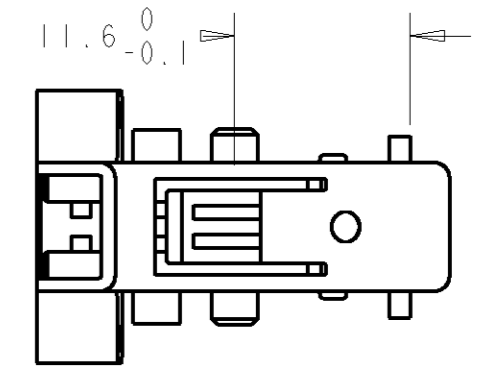
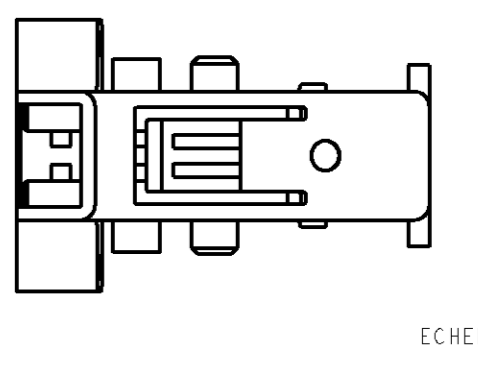
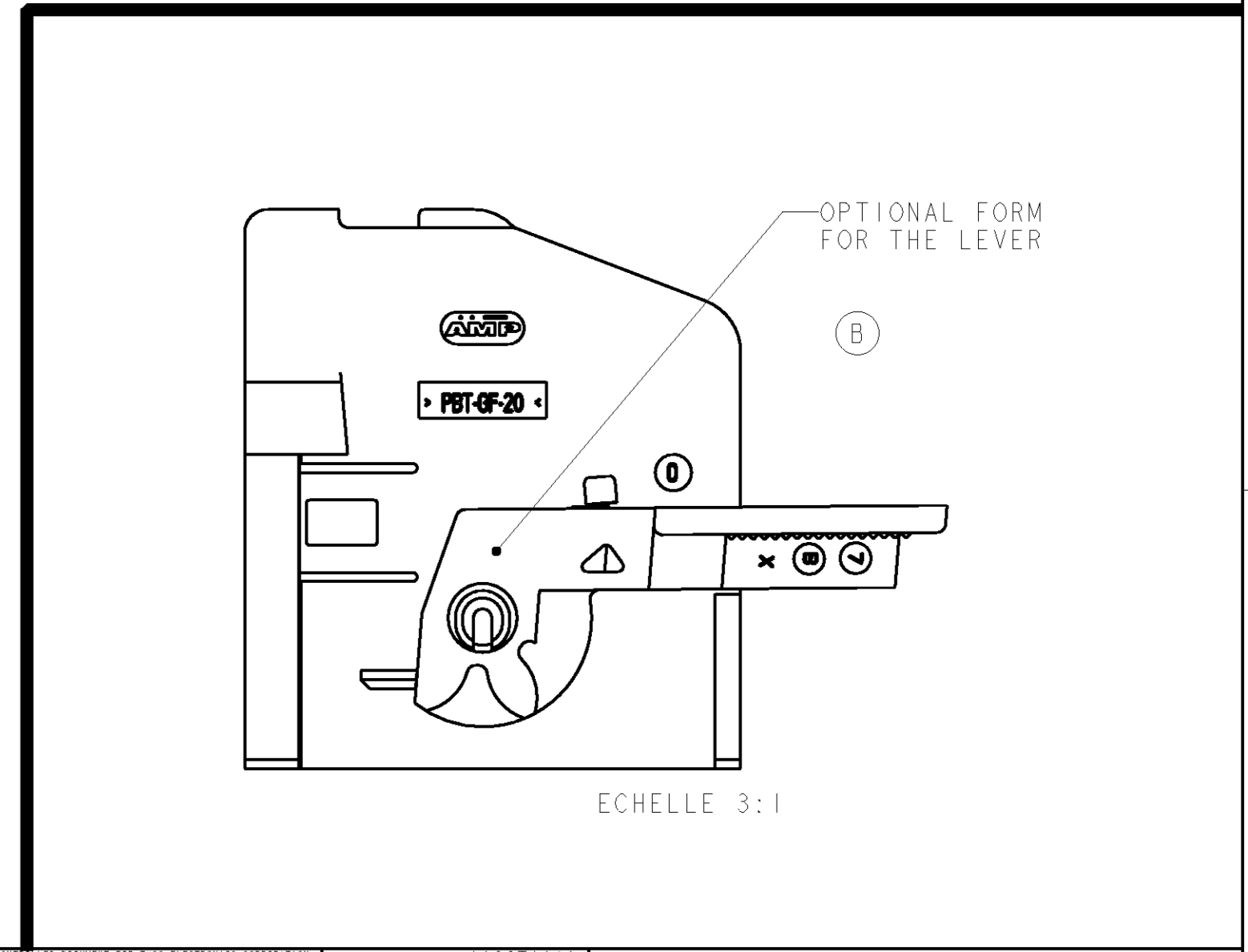
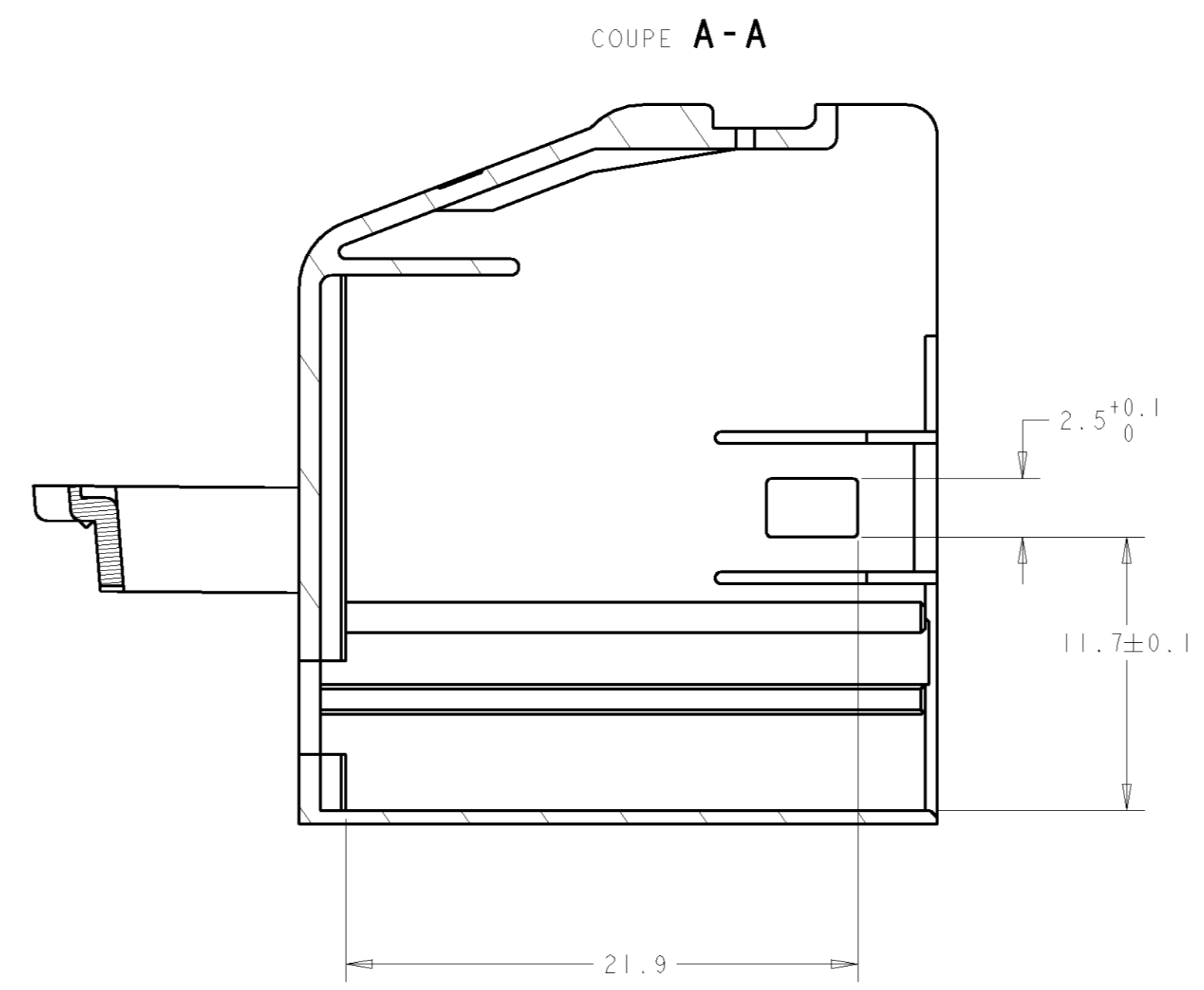
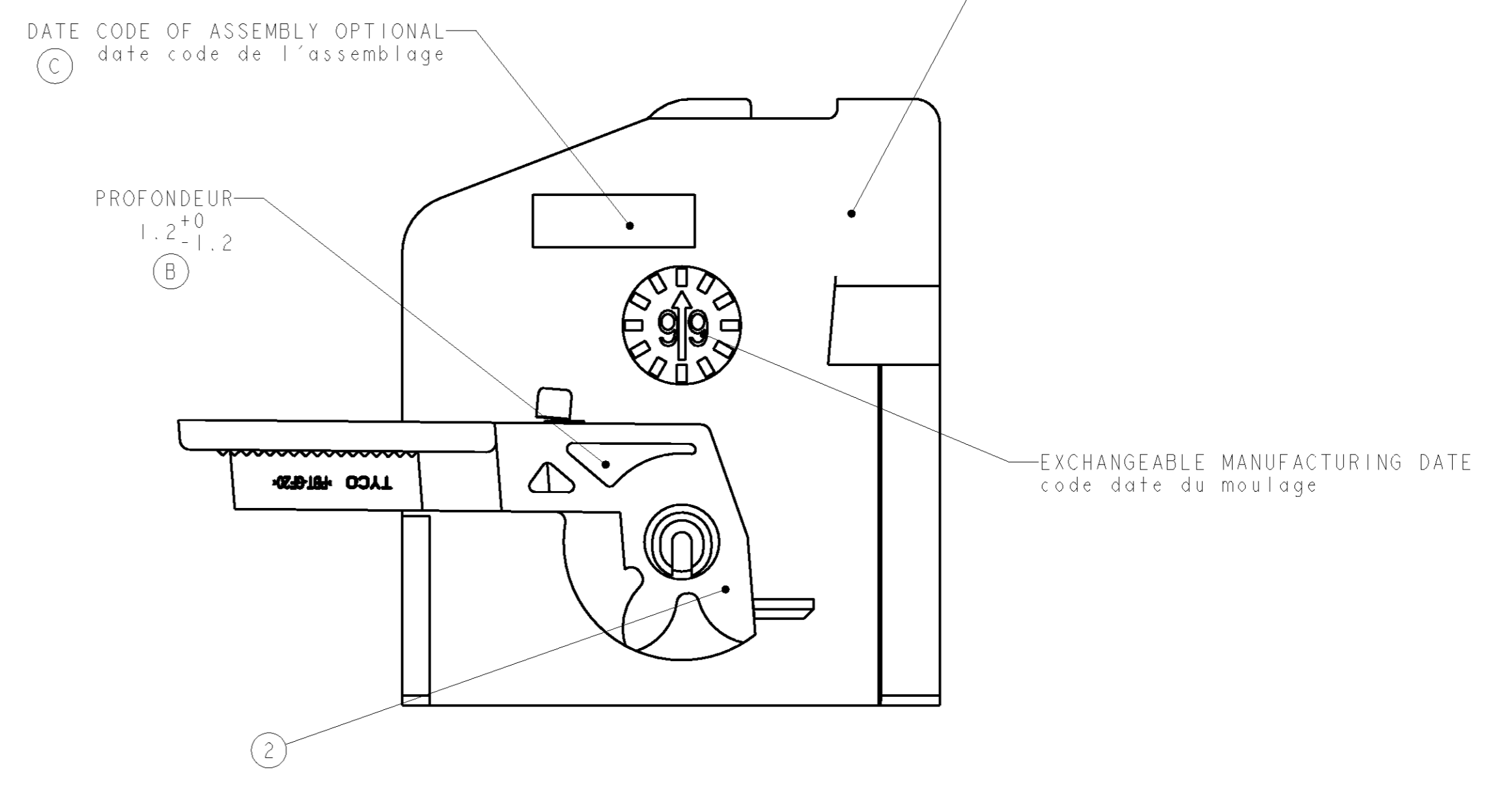
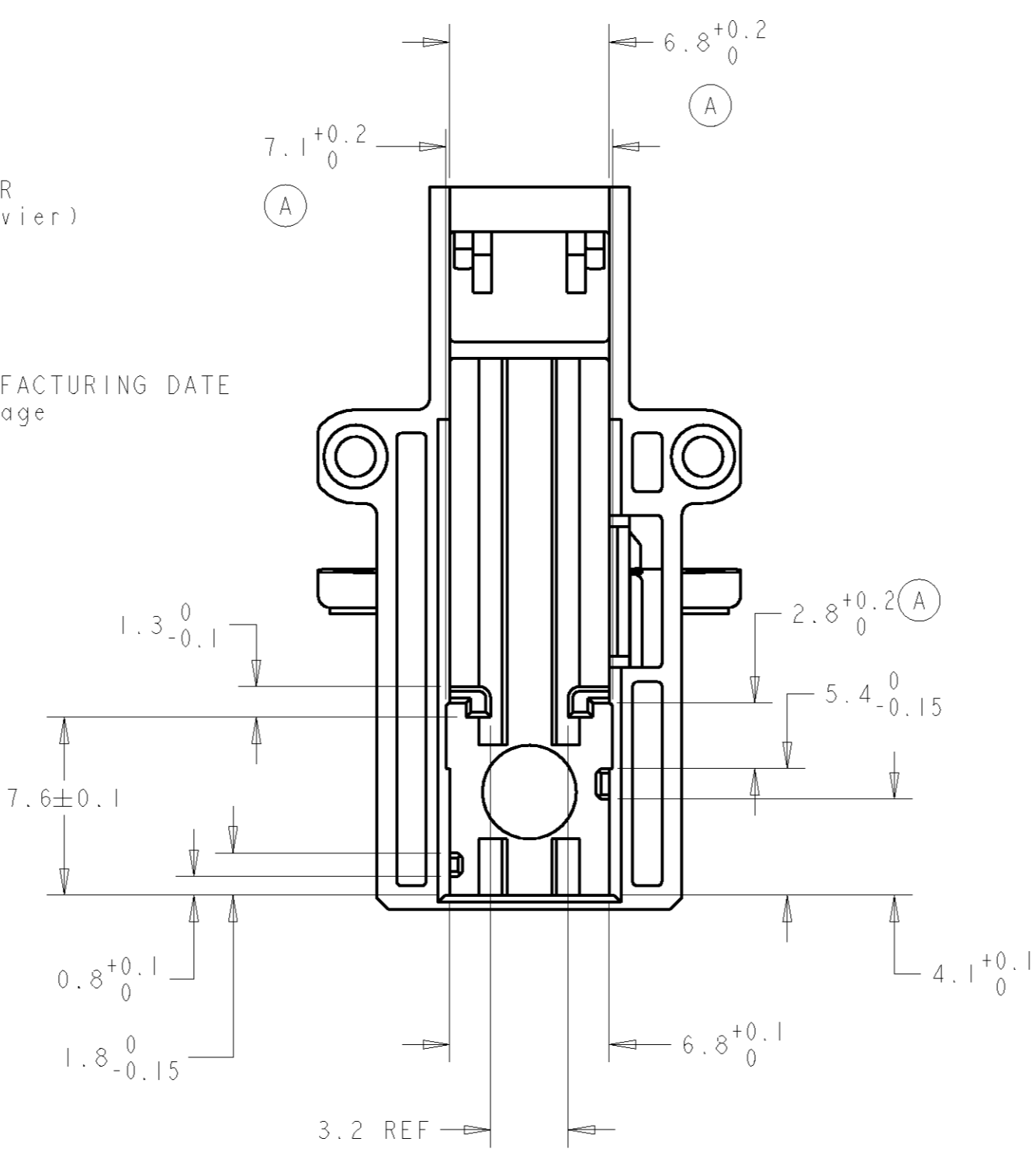
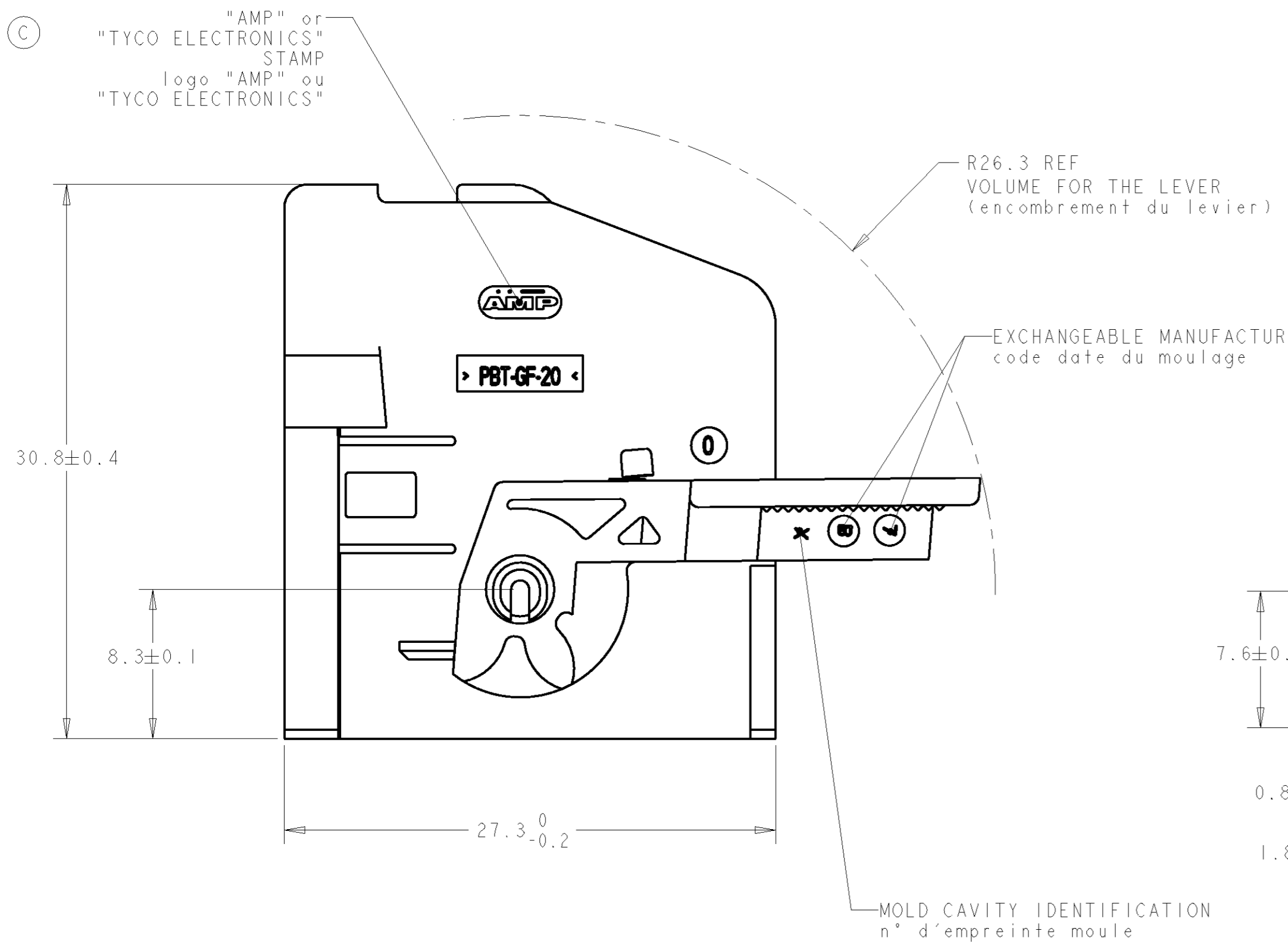


LOC		DIST		REVISIONS				
F	00	REV	DATE	DESCRIPTION	DATE	OWN	APPV	
		A	18APR2001	ADDED 2.8+0.2/-0; 7.1+0.2/-0		MP	JL	
		B	02DEC2002	ADDED OPTIONAL FORM FOR THE LEVER		MP	AA	
		C	13JUL2007	ADDED ASSEMBLY DATE CODE		MP	XR	



DESCRIPTION designation	ITEM rep.	QTTY qte	MATERIAL matiere	TE PN ref TE	COLOR couleur	KEYING detrompage
LEVER levier	2	1	PBT GF 20%	1379100-2	BLACK noir	 ECHELLE 2:1
SHIELD levier	1	1	PBT GF 20%		WHITE blanc	
LEVER levier	2	1	PBT GF 20%	1379100-1	BLACK noir	 ECHELLE 2:1
SHIELD capot	1	1	PBT GF 20%		BLACK noir	



DIMENSIONS: mm TOLERANCES: UNLESS OTHERWISE SPECIFIED: 0 PLC / DEC: ±0.2 1 PLC / DEC: ±0.2 2 PLC / DEC: ±0.2 3 PLC / DEC: ±0.2 4 PLC / DEC: ±0.2 ANGLES: °		TOLERANCES: UNLESS OTHERWISE SPECIFIED: ±0.1 1 REV: ±0.1 2 REV: ±0.1 3 REV: ±0.1 4 REV: ±0.1		TITRE: SHIELD+LEVER FOR 18 POS (0) ASSY GENE II PORTE-MODULE 18 VOIES MOS GENE II (0) ASSY		DWG / DESINE: DOCT1999 M. POLLEONTE CHK / VERIFIE: J. LALANGE APVD / APPROUVE: J. LALANGE SPEC - PRODUCT: 108-15262 APPLICATION SPEC: 411-15554 WEIGHT / MASSE APPROX: 3.5g		Tyco Electronics France SAS 95300 Pontoise, France	
MATERIAL MATIERE: - FINISH FINITION: -		CUSTOMER DRAWING / PLAN CLIENT: - SCALE: 4:1 SHEET / FEUILLE: 16 OF / DE: 16		SIZE: A1 CASE CODE: 100779 DRAWING NO: 1379100		RESTRICTED TO RESERVE A REV: C			