

# HC-12P2000 - Crimp contact



1623430

<https://www.phoenixcontact.com/us/products/1623430>

Please be informed that the data shown in this PDF document is generated from our online catalog. Please find the complete data in the user documentation. Our general terms of use for downloads are valid.



Crimp contact, Pin, turned, contact diameter: 1 mm, crimp range: 0.14 mm<sup>2</sup> ... 0.56 mm<sup>2</sup>, Alternative product in accordance with RoHS II without Exemption 6c (Pb <0.1%) item no.: 1244901

## Your advantages

- Crimping connection: vibration- and temperature-resistant assembly

## Commercial data

Item number	1623430
Packing unit	1 pc
Sales key	AB38
Product key	ABREAD
GTIN	4055626274201
Weight per piece (including packing)	0.178 g
Weight per piece (excluding packing)	0.176 g
Customs tariff number	85366990
Country of origin	DE

# HC-12P2000 - Crimp contact



1623430

<https://www.phoenixcontact.com/us/products/1623430>

## Technical data

### Mounting

Connection method	Crimp connection
-------------------	------------------

### Product properties

Product type	Crimp contact
Contact material type	turned

### Connection data

Connection method	Crimp connection
Contact connection type	Pin
Conductor cross section	0.14 mm <sup>2</sup> ... 0.56 mm <sup>2</sup>

### Material specifications

Contact surface	Nickel-plated (Ni), with gold coating (Au)
Contact material	CuZn

### Dimensions

#### Mechanical characteristics

Contact diameter	1 mm
------------------	------

### Mechanical properties

#### Mechanical data

Insertion/withdrawal cycles	100
-----------------------------	-----

# HC-12P2000 - Crimp contact

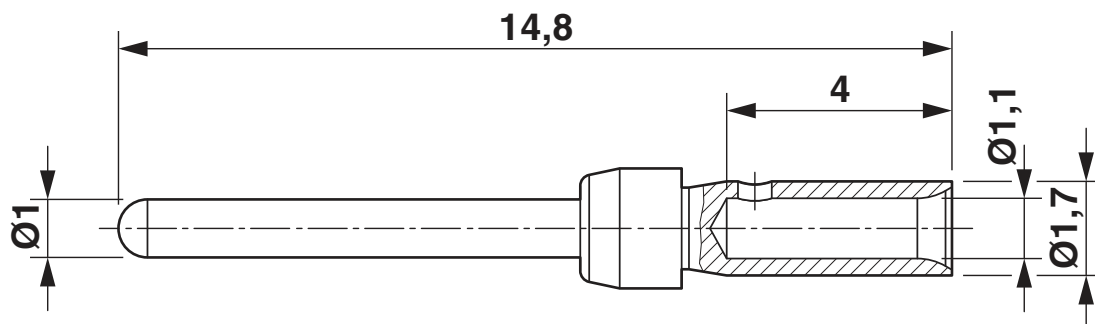
1623430

<https://www.phoenixcontact.com/us/products/1623430>



## Drawings

Dimensional drawing



# HC-12P2000 - Crimp contact



1623430

<https://www.phoenixcontact.com/us/products/1623430>

## Classifications

### ECLASS

ECLASS-11.0	27440204
ECLASS-12.0	27440204
ECLASS-13.0	27440204

### ETIM

ETIM 8.0	EC000796
----------	----------

### UNSPSC

UNSPSC 21.0	39121500
-------------	----------

# HC-12P2000 - Crimp contact

1623430

<https://www.phoenixcontact.com/us/products/1623430>



## Environmental product compliance

REACH SVHC	Lead 7439-92-1
China RoHS	Environmentally Friendly Use Period = 50 years
	For information on hazardous substances, refer to the manufacturer's declaration available under "Downloads"

# HC-12P2000 - Crimp contact

1623430

<https://www.phoenixcontact.com/us/products/1623430>



## Accessories

### RC-Z2514 - Crimping pliers with digital display

1614590

<https://www.phoenixcontact.com/us/products/1614590>



Crimping pliers for turned RC crimp contacts Ø 1 mm / Ø 1.5 mm / Ø 2 mm, litz wire cross section of 0.08 mm<sup>2</sup> ... 2.5 mm<sup>2</sup>

---

### RC-Z2097 - Contact insertion and removal tool

1604251

<https://www.phoenixcontact.com/us/products/1604251>



Positioning and contact removal tool for RC crimp contacts for pin / socket, diameter 1 mm

# HC-12P2000 - Crimp contact

1623430

<https://www.phoenixcontact.com/us/products/1623430>



## RC-Z2494 - Contact insertion and removal tool

1614123

<https://www.phoenixcontact.com/us/products/1614123>

Positioning and removal tool for RC crimp contacts, pin/socket diameter: 1 mm



---

## RC-Z2504 - Crimping pliers

1613822

<https://www.phoenixcontact.com/us/products/1613822>

Crimping pliers for turned RC crimp contacts, diameter 1 mm / diameter 1.5 mm / diameter 2 mm for a litz wire cross section of 0.14 mm<sup>2</sup> ... 2.5 mm<sup>2</sup>



---

Phoenix Contact 2023 © - all rights reserved  
<https://www.phoenixcontact.com>

Phoenix Contact USA  
586 Fulling Mill Road  
Middletown, PA 17057, United States  
(+717) 944-1300  
[info@phoenixcon.com](mailto:info@phoenixcon.com)