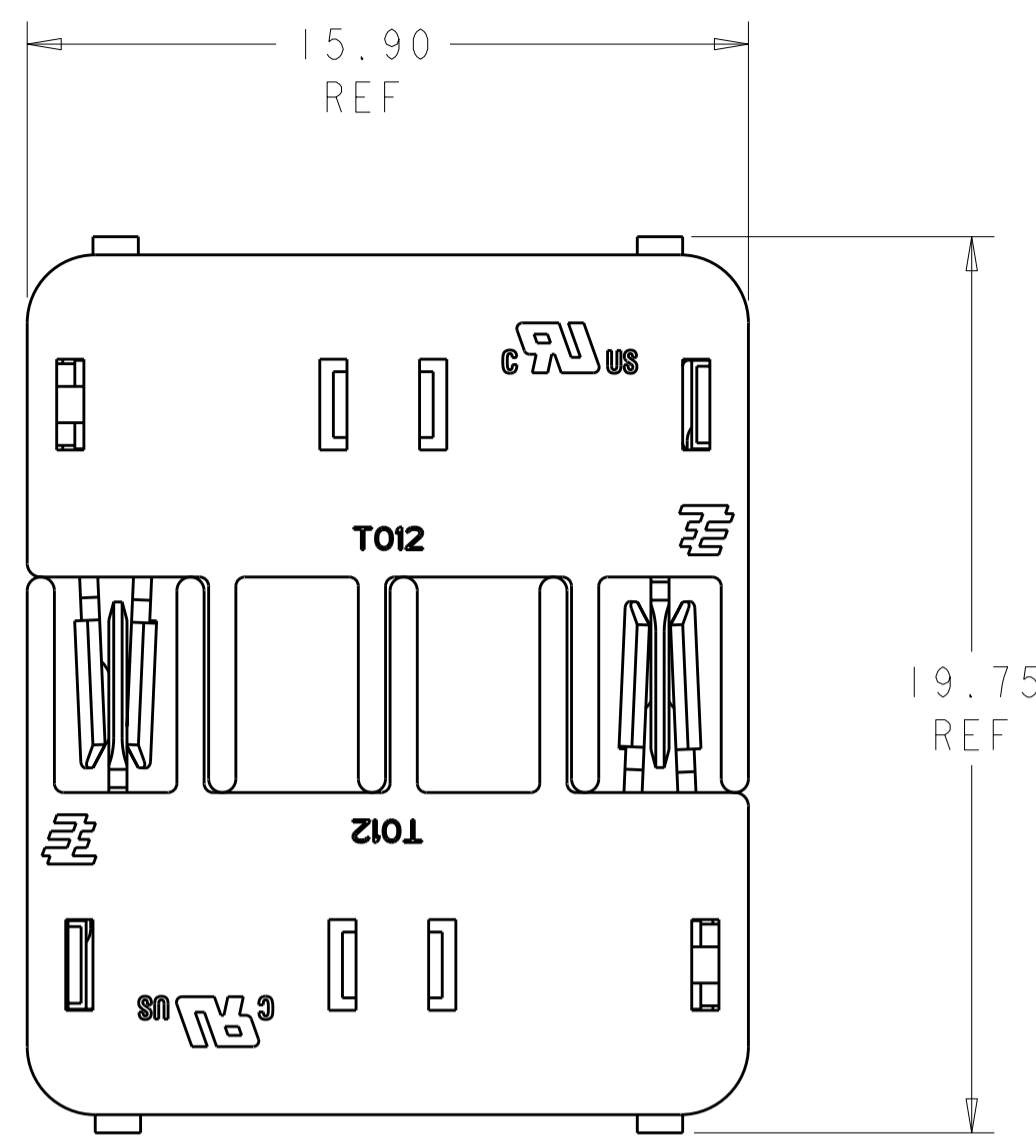
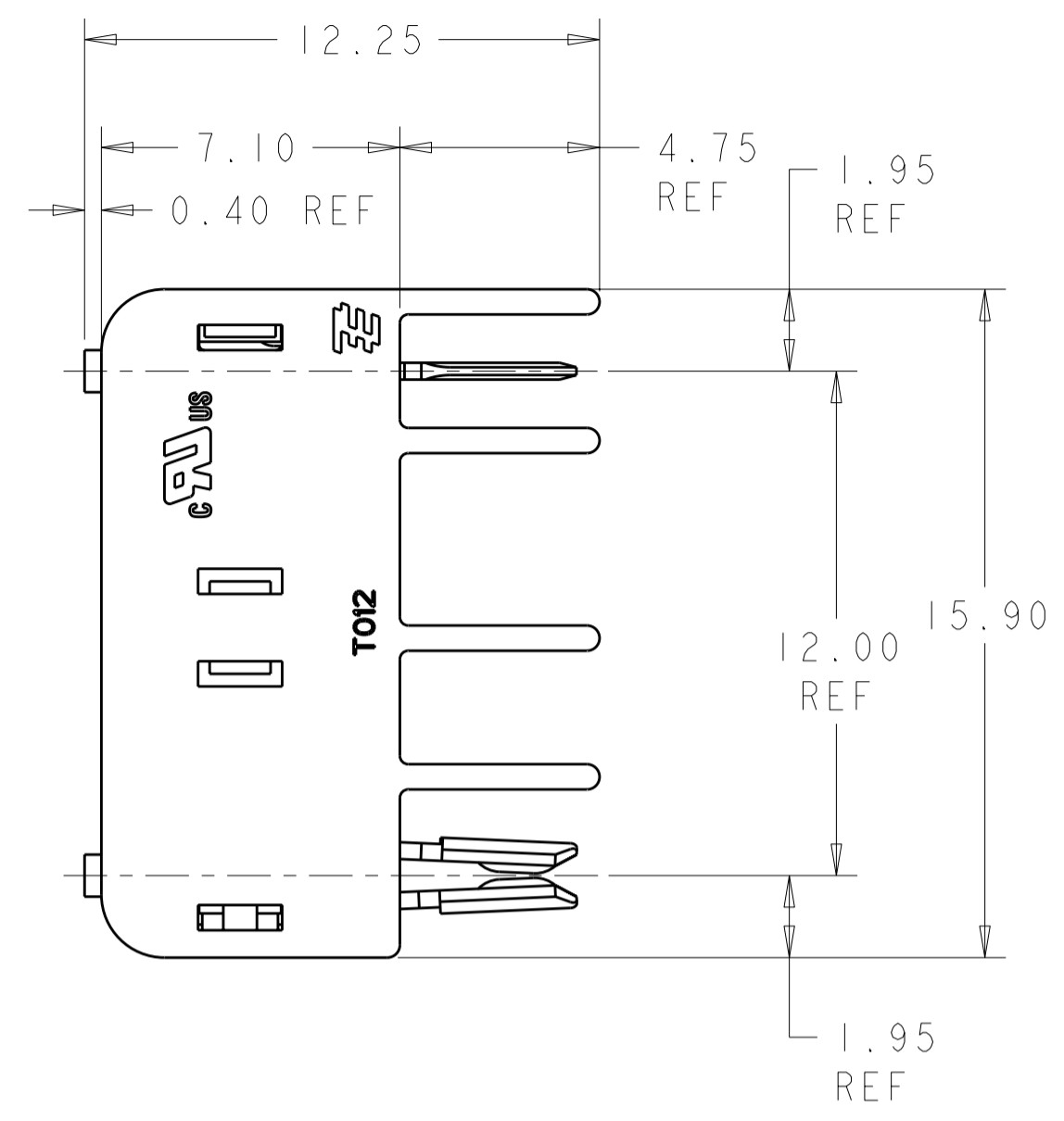


THIS DRAWING IS UNPUBLISHED. RELEASED FOR PUBLICATION 20
 © COPYRIGHT 20 BY TYCO ELECTRONICS CORPORATION. ALL RIGHTS RESERVED.

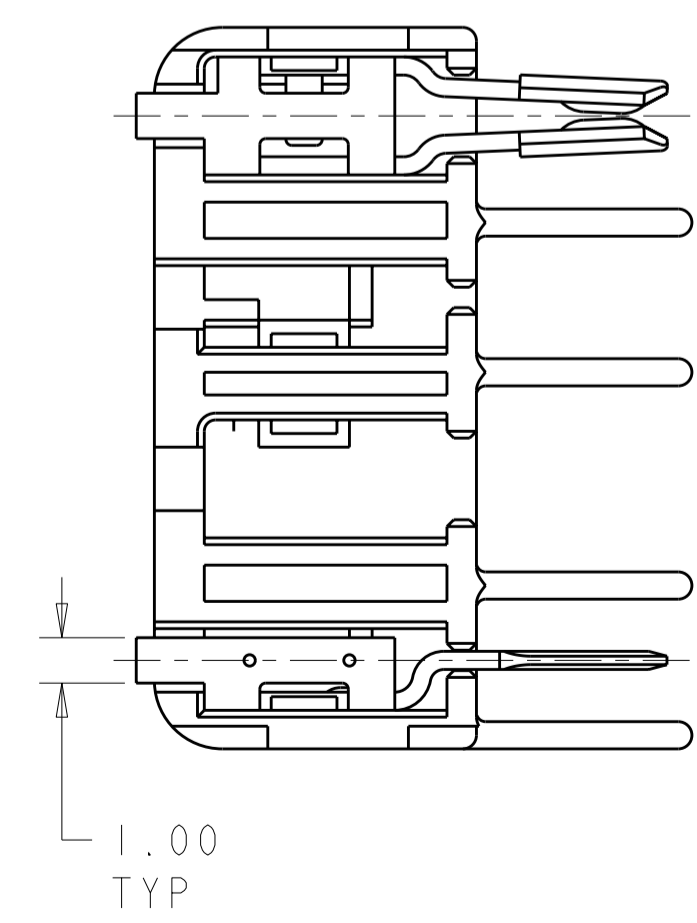
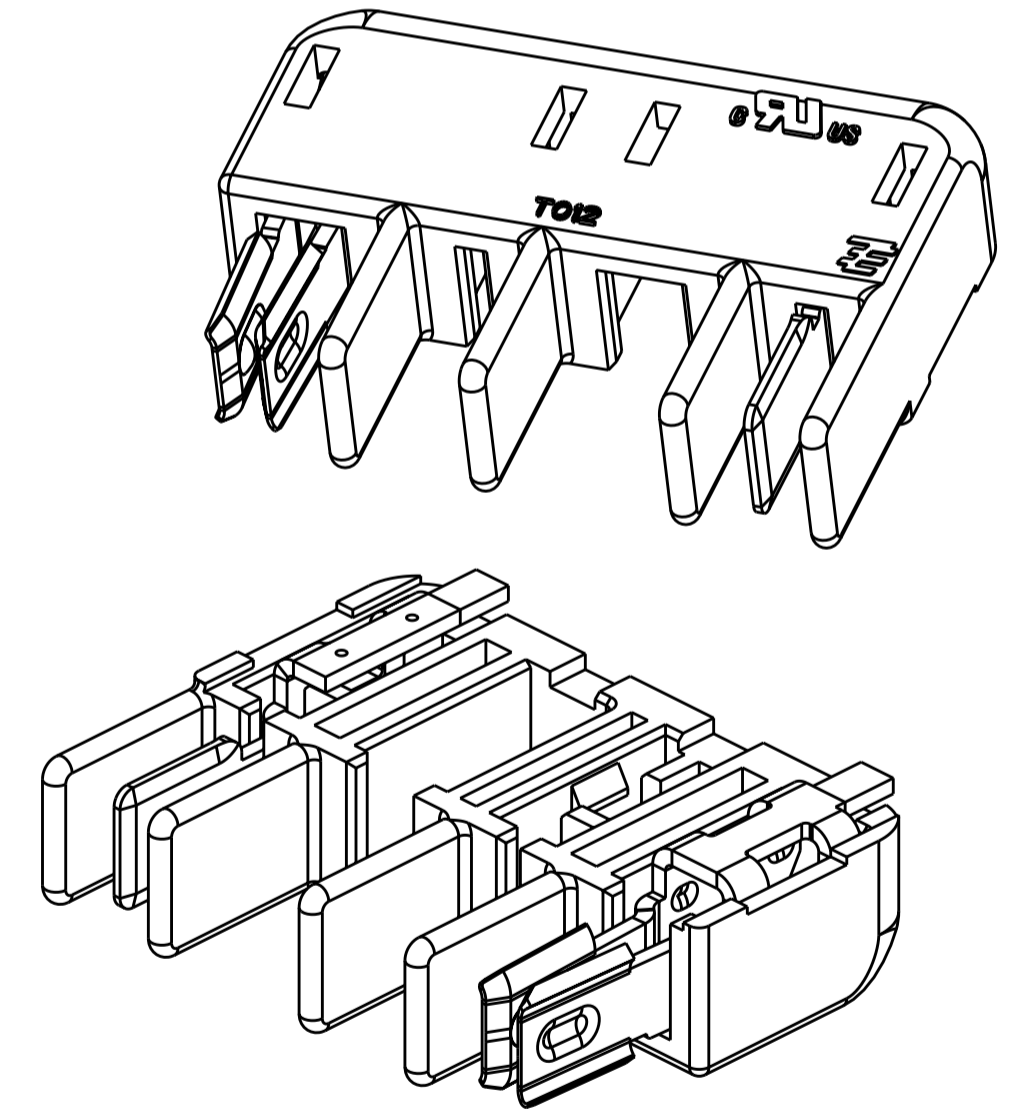
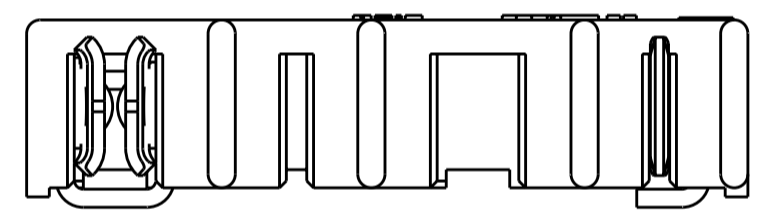
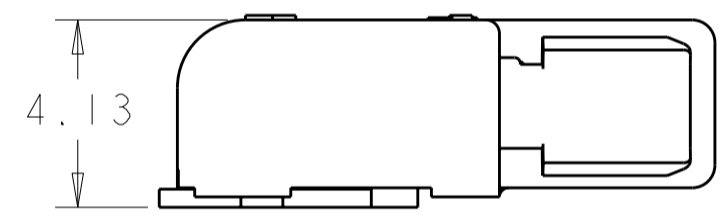
LOC		DIST		REVISIONS			
P	LTR	DESCRIPTION	DATE	DWN	APVD		
	5	UPDATED VIEWS, 4.13 DIM WAS 4.17	31MAR2010	RB	RN		



MATED PAIR SHOWN FOR REFERENCE

NOTES:

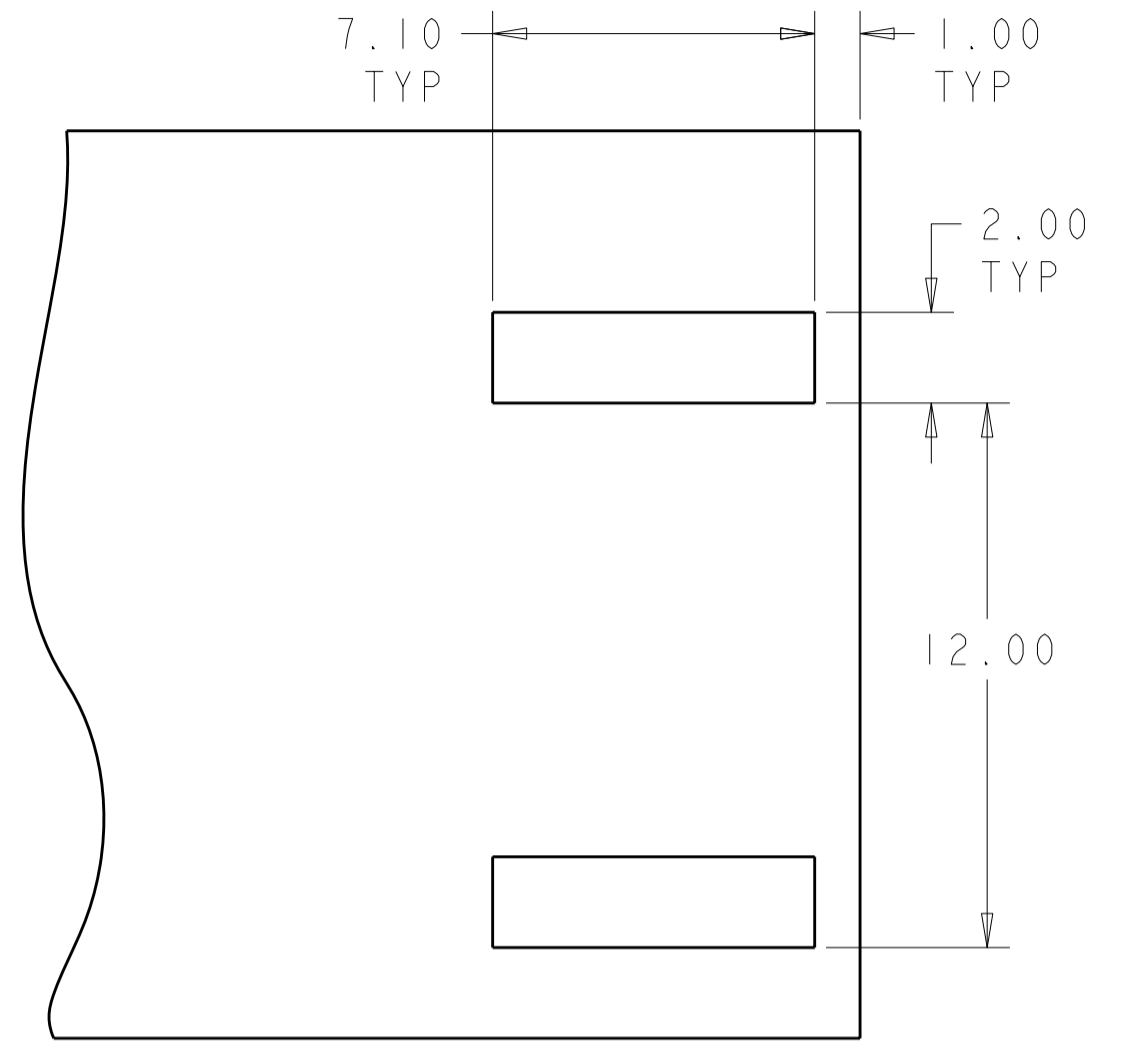
- 1. MATERIALS AND FINISH
 - HOUSING: LCP
 - CONTACTS: COPPER ALLOY, FINISH: TIN
- 2. PRODUCT TO COMPLY WITH DIRECTIVE 2002/95/EC (ROHS)
- 3. PACKAGED IN TAPE AND REEL PER EIA-481 SPECIFICATIONS



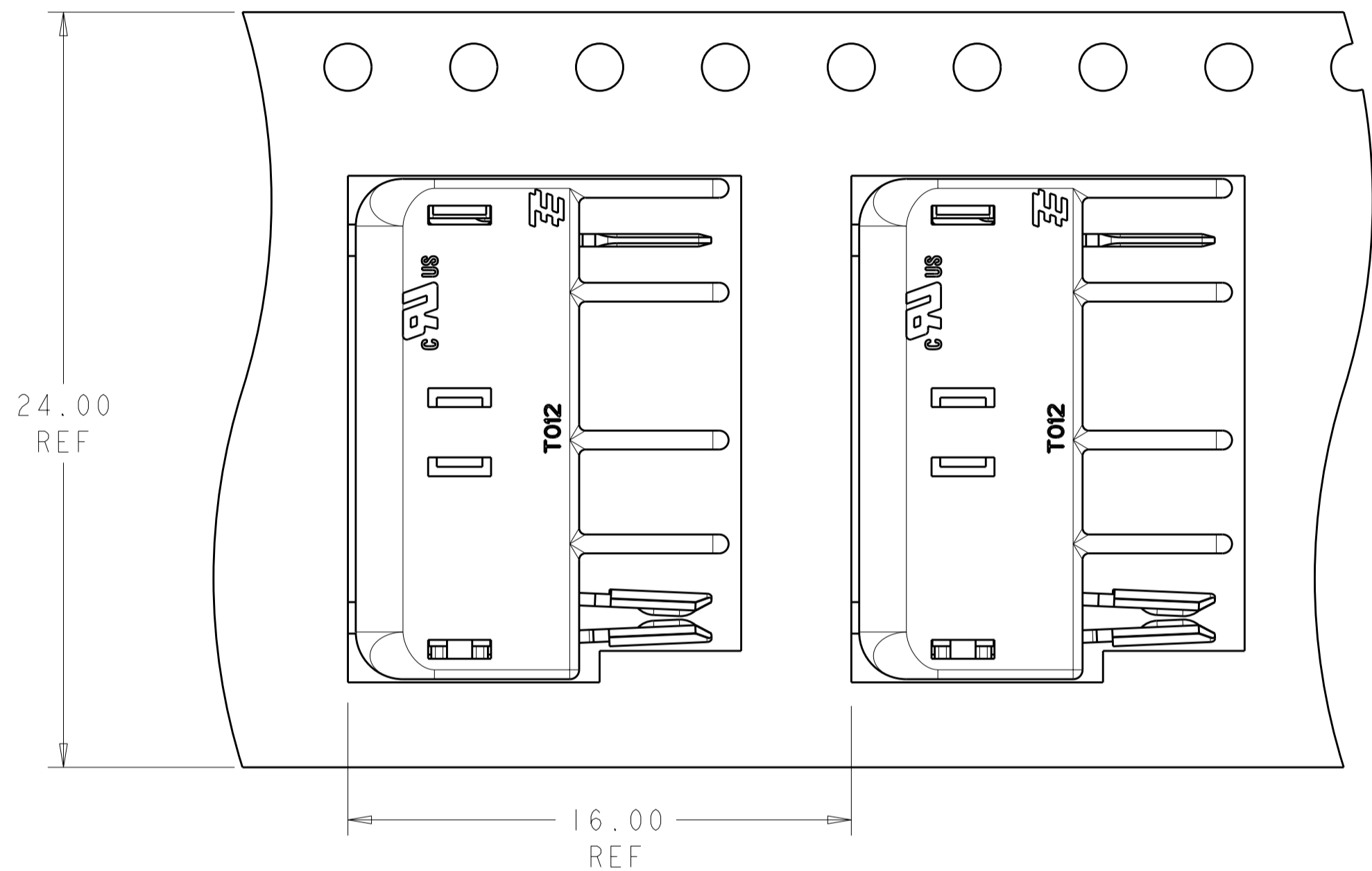
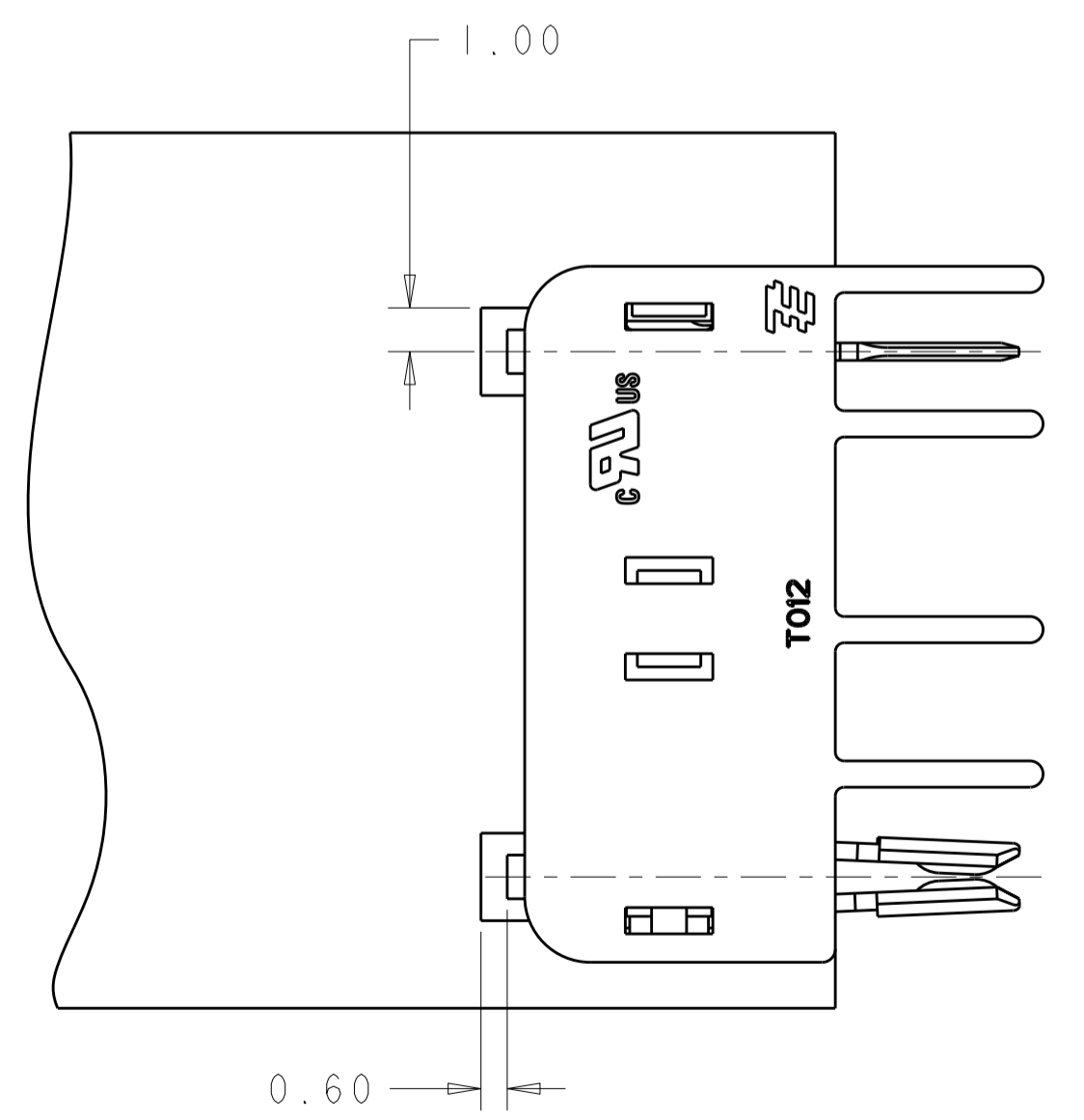
DESIGN APPROVED THIS PRINT IS
PRELIMINARY
 TO FIRST PIECE APPROVAL
 CONTACT PRODUCT ENGINEERING
 BEFORE USING THIS PRINT

<small>THIS DRAWING IS A CONTROLLED DOCUMENT FOR TYCO ELECTRONICS CORPORATION IT IS SUBJECT TO CHANGE AND THE CONTROLLING ENGINEERING ORGANIZATION SHOULD BE CONTACTED FOR THE LATEST REVISION.</small>		DWN S. FISHER 05NOV2008 CHK R. NARANG 05NOV2008 APVD - PRODUCT SPEC 108-2342 APPLICATION SPEC 114-13225 WEIGHT - CUSTOMER DRAWING	Tyco Electronics Harrisburg, PA 17105-3608 NAME CONNECTOR ASSEMBLY, SELECT LOADING, HERMAPHRODITIC BLADE AND RECEPTACLE SIZE A200779 CAGE CODE C-2106004 SCALE 6:1 SHEET 1 OF 2 REV 5	NATURAL 2106004-1 COLOR PART NO.
---	--	---	---	-------------------------------------

LOC		DIST		REVISIONS			
P	LTR	DESCRIPTION	DATE	DWN	APVD		
-	-	SEE SHEET 1	-	-	-		



RECOMMENDED PCB LAYOUT



TO BE PACKAGED AS SHOWN

DESIGN APPROVED THIS PRINT IS
PRELIMINARY
 TO FIRST PIECE APPROVAL
 CONTACT PRODUCT ENGINEERING
 BEFORE USING THIS PRINT

<small>THIS DRAWING IS A CONTROLLED DOCUMENT FOR TYCO ELECTRONICS CORPORATION IT IS SUBJECT TO CHANGE AND THE CONTROLLING ENGINEERING ORGANIZATION SHOULD BE CONTACTED FOR THE LATEST REVISION.</small>		DWN S. FISHER 05NOV2008 CHK R. NARANG 05NOV2008 APVD - PRODUCT SPEC - APPLICATION SPEC - WEIGHT - CUSTOMER DRAWING	Tyco Electronics Harrisburg, PA 17105-3608 NAME CONNECTOR ASSEMBLY, SELECT LOADING, HERMAPHRODITIC BLADE AND RECEPTACLE SIZE CAGE CODE DRAWING NO RESTRICTED TO A200779 C-2106004 - SCALE 6:1 SHEET 2 OF 2 REV 5
---	--	--	---