

# PPC-3150

## 15" Fanless Panel PC with Intel® Atom™ Quad-Core Processor



### Features

- 15" XGA TFT LCD with resistive touchscreen
- Intel® Atom™ E3845 quad-core, 1.91 GHz, processor
- Fanless, slim design
- Supports 1 x internal 2.5" SATA HDD and 1 x mSATA
- 1 x PCI/PCIe x1 expansion slot
- Wide operating temperature range (-20 ~ 60 °C/-4 ~ 140 °F)
- Wide range DC support (9 ~ 32 V<sub>DC</sub>)
- 1 x isolated RS-422/485 with automatic flow control and dual Intel GbE
- Optional GPIO (8 channels, TTL level)



### Introduction

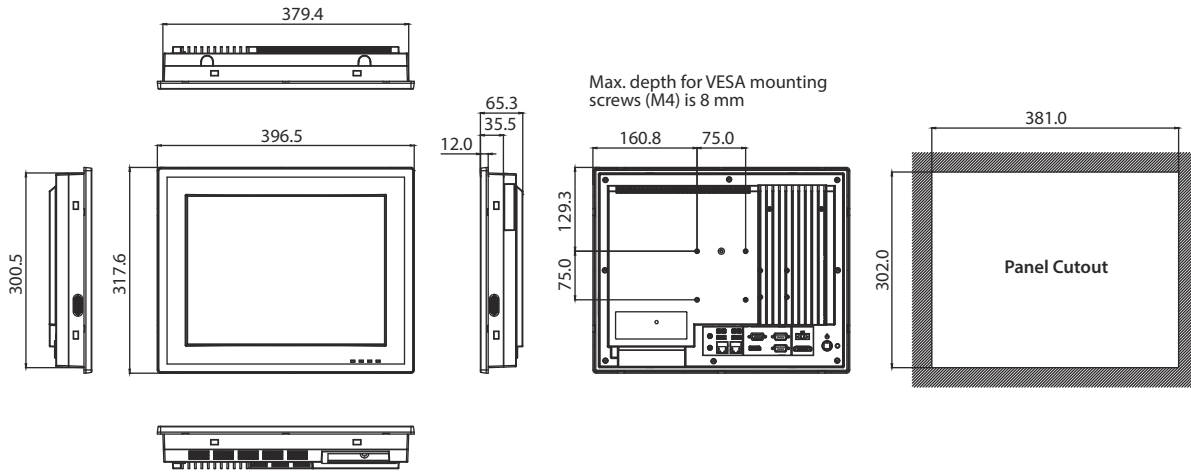
The PPC-3150 is a 15" fanless panel PC equipped with a high-performance Intel® Atom™ E3845 quad-core, 1.91 GHz, processor that supports both a wide operating temperature range (-20 ~ 60 °C) and wide power input range (9 ~ 32 V<sub>DC</sub>). The provision of multiple I/O, including 4 x COM, 1 x USB 3.0, 1 x isolated RS-422/485, and dual Intel® Gigabit Ethernet, ensures easy integration and connectivity. With the inclusion of 1 x PCI/PCIe expansion slot, PPC-3150 can be integrated with fieldbus protocols or proprietary cards for increased application potential.

### Specifications

<b>System</b>	CPU	Intel® Atom™ E3845 quad core
	Frequency	1.91 GHz
	L3 Cache	2 MB
	Memory	1 x SODIMM DDR3L 1333 MHz (max. 8 GB)
	Storage	1 x 2.5" SATA bay 1 x mSATA bay
	Network (LAN)	2 x 10/100/1000 Mbps Ethernet (Intel I210)
	I/O	1 x isolated RS-422/485 (terminal block) 4 x RS-232, two external and two by internal pin header (need optional module) 1 x GPIO (8 channels, TTL level) by internal pin header (need optional module) 1 x USB 3.0, 3 x USB 2.0 1 x VGA 1 x DP1.1a 1 x Line-out, 1 x Mic-in
	Expansion	1 x Mini PCIe 1 x PCI (default); 1 x PCIe x1 (in the accessory box) Optional: 1 x Cfast; 1 x CF card; 1 x Internal USB dongle; 2 x RS-232 or 1 x RS-232 + 1 x GPIO
<b>Physical Characteristics</b>	Watchdog Timer	255 timer levels, set up by software
	Speaker	2 x 1W
	Dimensions	396.5 x 317.6 x 65.3 mm (15.6 x 12.5 x 2.57 in)
<b>OS Support</b>	Weight	5.3 kg (11.68 lb)
	OS Support	Microsoft® Windows 7/8.1/10 (32/64-bit), WES7, WEC7, Linux
<b>Power Consumption</b>	Input Voltage	9 ~ 32 V <sub>DC</sub>
	Power Consumption	30W (Burn-in test 7.0 in Windows 7 32 bit)
<b>LCD</b>	Display Type	15" TFT LED panel
	Max. Resolution	1024 x 768
	Viewing Angle	80 (left), 80 (right), 70 (up), 70 (down)
	Luminance (cd/m <sup>2</sup> )	400
	Contrast Ratio	700
	Backlight Lifetime	50,000 hr (min.)
<b>Touchscreen</b>	Touch Type	5-wire analog resistive
	Light Transmission	80+/-3%
	Controller	USB interface
	Durability (Touches)	36 million

## Dimensions

Unit: mm



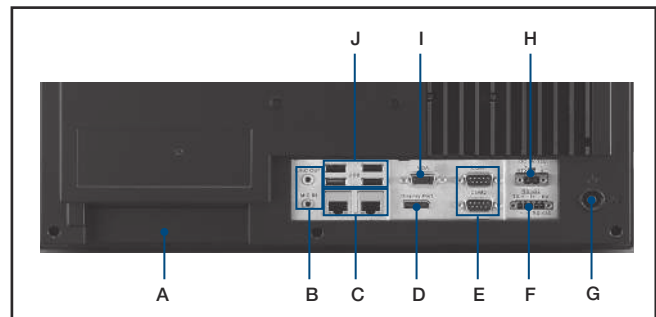
**Panel Cutout Dimensions: 381 x 302 mm (15 x 11.88 in)**

<b>Environment</b>	Operating Temperature	0 ~ 50 °C (32 ~ 122 °F) with 2.5" SATA SSD -20 ~ 60 °C (-4 ~ 140 °F) with -40 ~ 85 °C mSATA or 2.5" SATA SSD
	Storage Temperature	-40 ~ 60 °C (-40 ~ 140 °F)
	Relative Humidity	10 ~ 95% @ 40 °C (non-condensing)
	Shock	Operating 10 G peak acceleration (11 ms duration), follow IEC 60068-2-27
	Vibration	Operating Random Vibration Test 5 ~ 500Hz, 1Grms @with HDD, follow IEC 60068-2-64
	EMC	BSMI, CE, FCC Class A
	Safety	CB, CCC, BSMI, UL
Front Panel Protection	IP65 compliant	

## Ordering Information

Part Number	Description
PPC-3150-RE4AE	Intel Atom E3845 (1.91G) Panel PC with 15" XGA panel, 5-wire resistive T/S, w/o memory
PPC-WLAN-B1E	WiFi Module with Antenna Cable 40cm for PPC
PPC-174T-WL-MTE	Wall mount kit for PPC series
PPC-ARM-A03	PPC ARM VESA Standard
PPC-3150-COME	Module to install either two additional RS-232 port or one additional RS-232 and one GPIO for PPC-3150/PPC-3170
96PSA-A90W190T-1	ADP A/D 100-240V 90W 19V W/PFC
1700001524	Power cord 3P UL 10A 125V 1.8M
170203183C	Power cord 3P Europe (WS-010+083) 183cm
1700008921	Power cord 3P/3P 1.8M PSE
96CB-POWER-B-1.8M	Power code 3P CCC(China) 1.8M
PPC-STAND-A1E	Stand For PPC Series
98R3C31500E	PPC-315/317/319 internal USB dongle kits
98R3C31510E	PPC-3150/3170 install CF card kits
98R3C31520E	PPC-3150/PPC-3170 CFast card kits

## I/O View



- |  |                               |
|--|-------------------------------|
| A. 1 x Expansion slot (PCI or PCIe x1) | F. 1 x Isolated RS-422/485    |
| B. Mic-in/Line-out                     | G. Power Button               |
| C. 2 x Intel Gigabit Ethernet          | H. DC inlet and AT/ATX switch |
| D. 1 x DisplayPort                     | I. 1 x VGA                    |
| E. 2 x RS-232                          | J. 1 x USB3.0, 3 x USB2.0     |