

PT. NO.	PARTS NAME	CAT. NO.	MATERIAL	Q'TY	NOTE
1	REEL	_____	POLYSTYRENE	1	_____
2	PLASTIC (EMBOSS) TAPE	_____	PET RESIN OR PP RESIN	—	COLOR : TRANSPARENCY
3	COVER	_____	POLYESTER	—	COLOR : TRANSPARENCY
4	CONNECTOR	BTFW_P-3SSTGLF	SEE ATTACHED DWG.	700	

DIMENSIONS

CATALOG NUMBER	NO. OF CONTACT(ONLY EVEN POS.)	A	B	C
BTFW10~14P-3SSTGE4LF	10~14	38.4	32	28.4
BTFW16~24P-3SSTGE4LF	16~24	50.4	44	40.4
BTFW26~30P-3SSTGE4LF	26~30	62.4	56	52.4

- NOTES
1. THIS IS PLASTIC TAPE PACKAGED CONNECTOR USED FOR BOARD TO BOARD COPES WITH AUTOMATIC MOUNTING (SMT).
 2. SEE JIS C 0806 (PACKING OF ELECTRONIC COMPONENTS ON CONTINUOUS TAPES (SURFACE MOUNTING DEVICES)) FOR SHAPE AND DIMENSIONS OF PLASTIC (EMBOSS) TAPE AND REEL.
 3. THIS DIMENSION IS PORTION OF THE CORE.

mat'l. code		surface ISO 1302 ✓	tolerance ISO 406 ISO 1101	projection ⊕	product family 590F
ltr	ecn no	dr	date	title PLASTIC TAPE PACKAGED BOARD TO BOARD PLUG CONNECTOR (GOLD PLATING, LEAD FREE AND PLASTIC REEL) (CAT.No.BTFW_P-3SSTGE4LF)	
A	J10-0042	M.K	Feb.19,'10		
		angles	linear	scale	
		± 5°	± 5		
		dr	K.Higuchi	Feb.19,'10	dwg no sheet 1 of 1 size A4
		enr	M.Koga	Feb.19,'10	
		chr	K.Higuchi	Feb.19,'10	
		appd	M.Koga	Feb.19,'10	
		FCJ		type Product Customer Drawing	

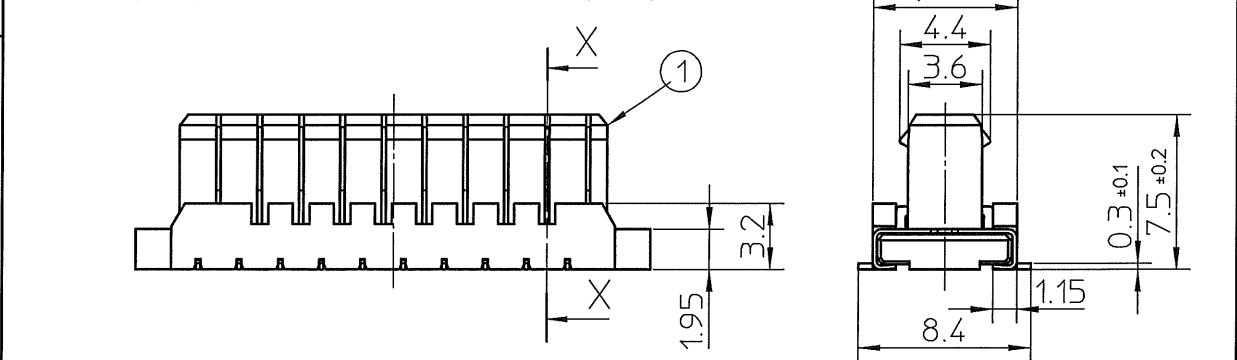
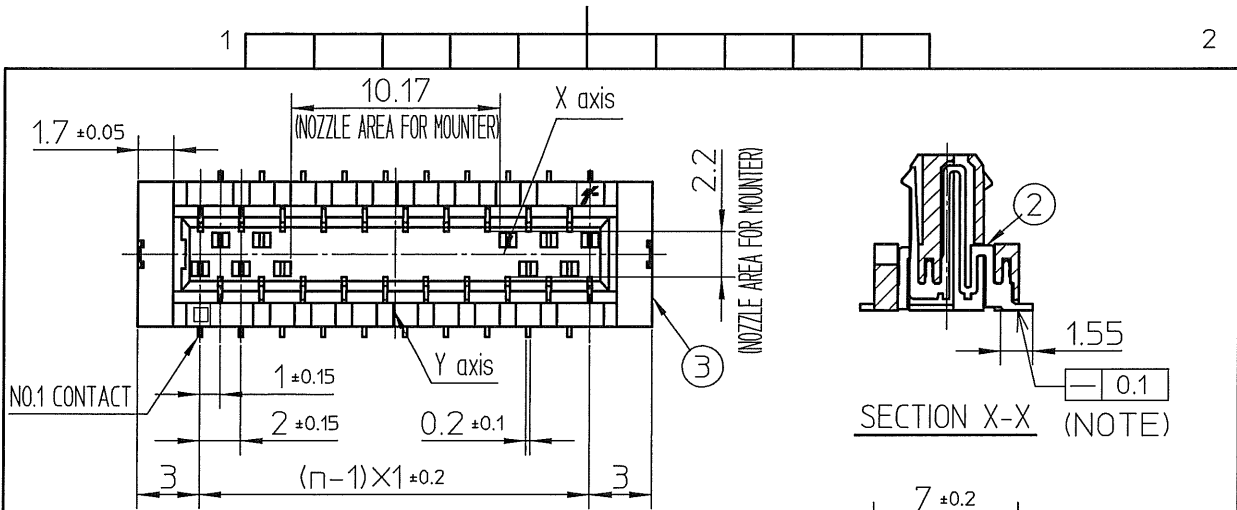
sheet index	revision sheet																			Rev A
-------------	----------------	--	--	--	--	--	--	--	--	--	--	--	--	--	--	--	--	--	--	----------



FCJconnect.com

Copyright FCI

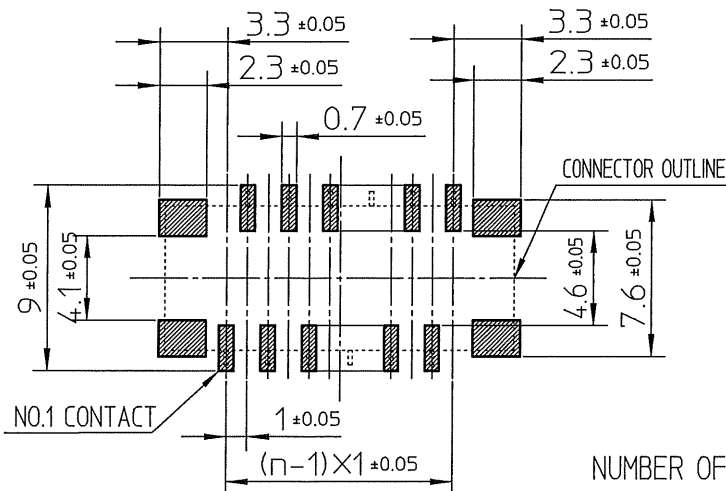




PT. NO.	PARTS NAME	MATERIAL	Q'TY	NOTE
1	HOUSING	GLASS FILLED THERMOPLASTIC RATED.(UL94V-0)	1	COLOR:BRACK
2	CONTACT	PHOSPHOR BRONZE	n	PLATING CONTACT AREA:GOLD OVER NICKL TERMINAL AREA:TIN(LEAD FREE)
3	MOUNTING PLATE	BRASS	2	PLATING:TIN(LEAD FREE)

RECOMMENDED PC BOARD LAYOUT
(COMPONENT SIDE)

n:NO. OF CONTACTS

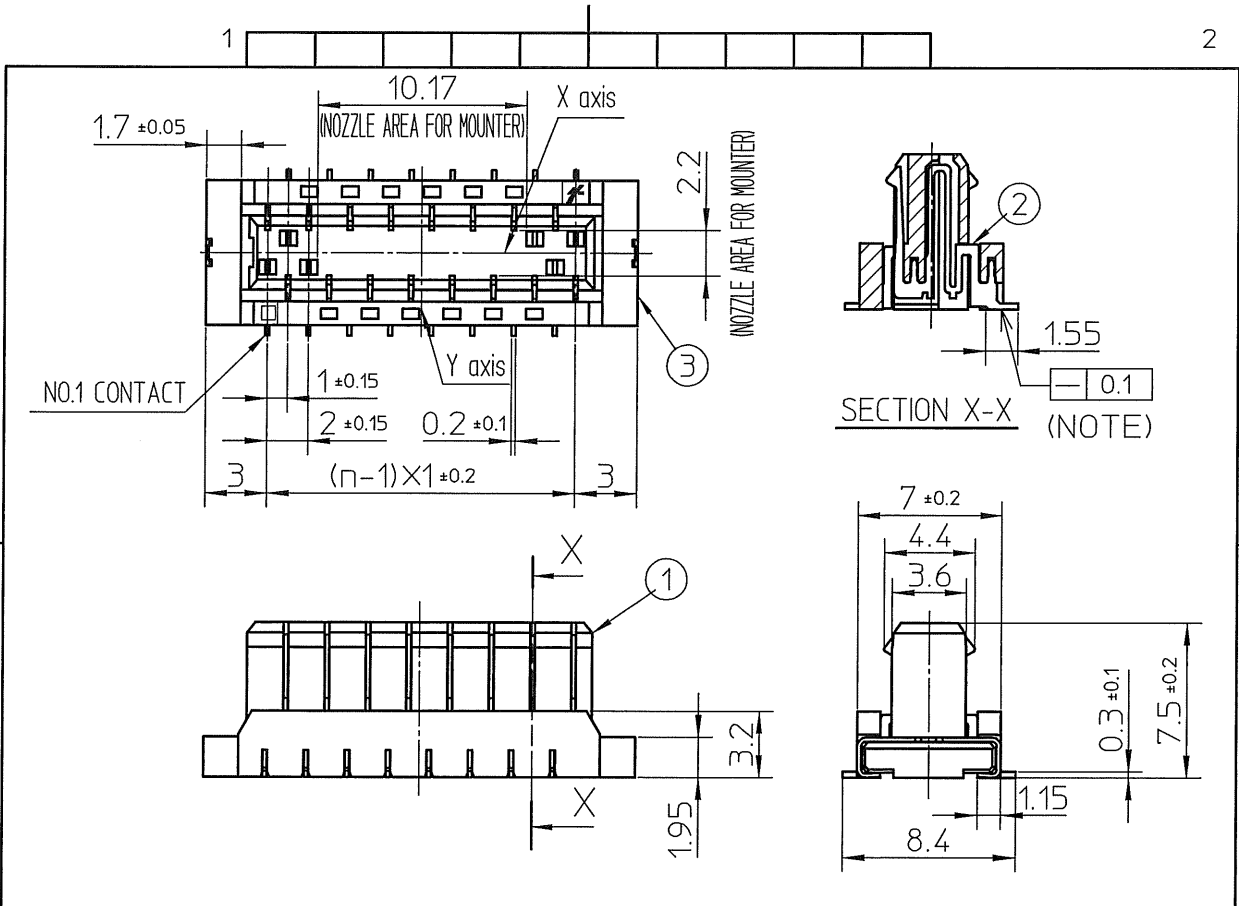


NOTE

- 1.This connector is symmetric for X,Y axis. As a result, It is possible to locate in emboss cavity even if rotated condition.
- 2.Flatness for contact terminal and mounting plate must be within 0.1.
- 3.This product meets European Union Directives and other country regulations as described in GS-22-008.

NUMBER OF CONTACTS : 18 TO 30 , ONLY EVEN POS.

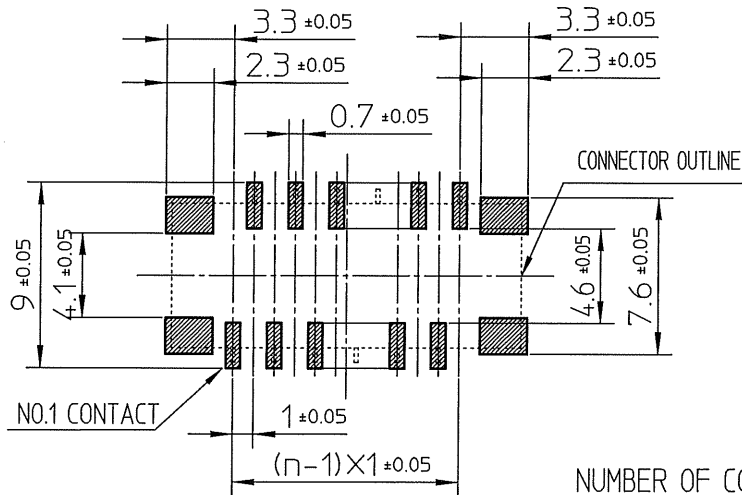
mat'l. code				surface ISO 1302 ✓		tolerance ISO 406 ISO 1101		projection		product family 590F	
ltr	ecn no	dr	date	tolerances unless otherwise specified							
A	J10-0042	M.K	Feb.19;10	angles		linear		scale		title FLOATING BOARD TO BOARD PLUG CONNECTOR (GOLD PLATING AND LEAD FREE) (CAT.No. BTFW__P-3SSTGLF)	
				dr		K.Higuchi		Feb.19;10		sheet 2 of 2	
				enfr		M.Koga		Feb.19;10		JSA 97485	
				chr		K.Higuchi		Feb.19;10		A4	
				appd		M.Koga		Feb.19;10		type Product Customer Drawing	
sheet index	revision sheet	A	A								
		1	2								



PT. NO.	PARTS NAME	MATERIAL	Q'TY	NOTE
1	HOUSING	GLASS FILLED THERMOPLASTIC RATED.(UL94V-0)	1	COLOR:BRACK
2	CONTACT	PHOSPHOR BRONZE	n	PLATING CONTACT AREA:GOLD OVER NICKL TERMINAL AREA:TIN(LEAD FREE)
3	MOUNTING PLATE	BRASS	2	PLATING:TIN(LEAD FREE)

RECOMMENDED PC BOARD LAYOUT
(COMPONENT SIDE)

n:NO. OF CONTACTS



NOTE

- 1.This connector is symmetric for X,Y axis. As a result, It is possible to locate in emboss cavity even if rotated condition.
- 2.Flatness for contact terminal and mounting plate must be within 0.1.
- 3.This product meets European Union Directives and other country regulations as described in GS-22-008.

NUMBER OF CONTACTS : 10 TO 16 , ONLY EVEN POS.

mat'l. code				surface ISO 1302 ✓		tolerance ISO 406 ISO 1101		projection ⊕		product family 590F	
ltr	ecn no	dr	date	tolerances unless otherwise specified							
A	J10-0042	M.K	Feb.19;10	angles		linear		scale		title FLOATING BOARD TO BOARD PLUG CONNECTOR (GOLD PLATING AND LEAD FREE) (CAT.No. BTFW__P-3SSTGLF)	
						±0.3				dwg no sheet 1 of 2 size	
				dr		K.Higuchi		Feb.19;10		JSA 97485 A4	
				enr		M.Koga		Feb.19;10			
				chr		K.Higuchi		Feb.19;10			
				appd		M.Koga		Feb.19;10		type Product Customer Drawing	
sheet index		revision sheet		A		A				Rev	
		1		2						A	



FCIconnect.com

Copyright FCI