



1

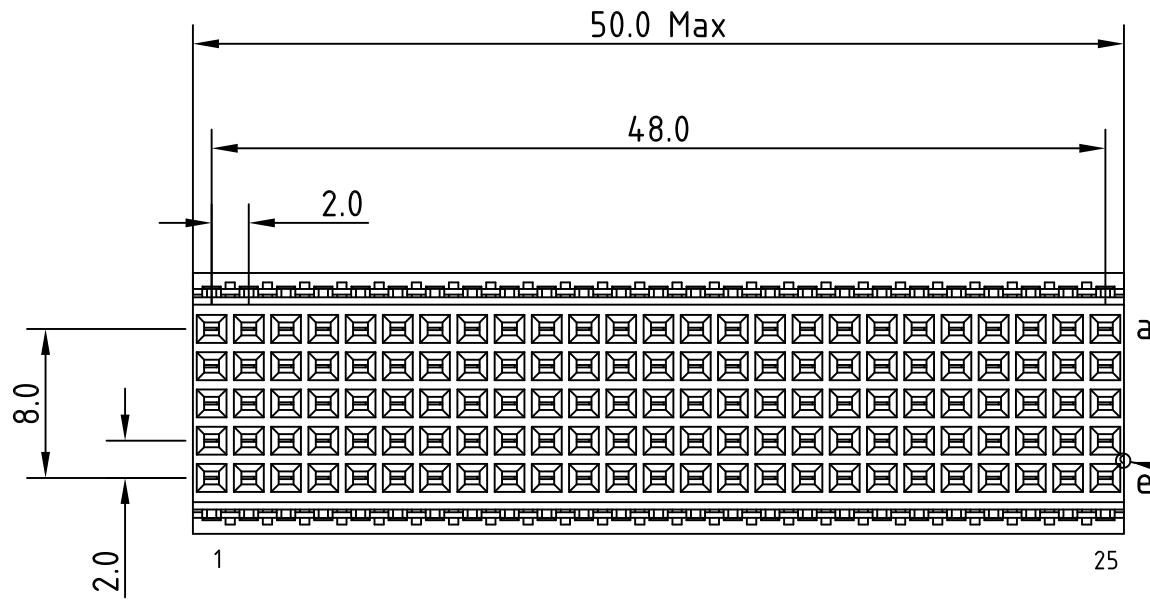
2

3

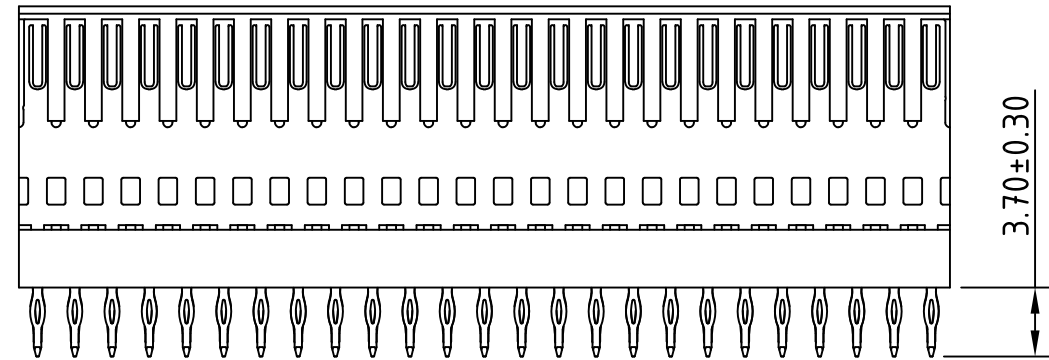
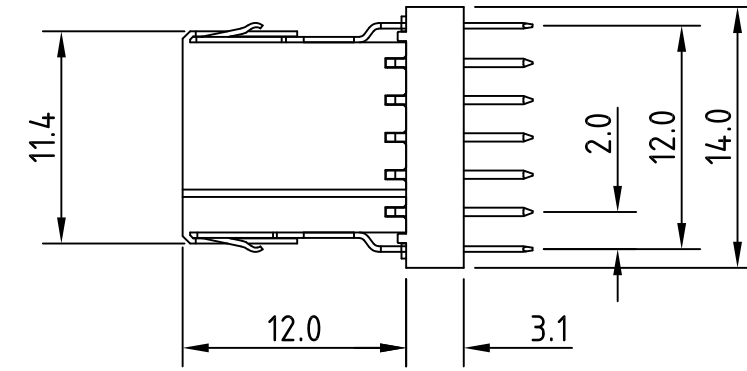
4

5

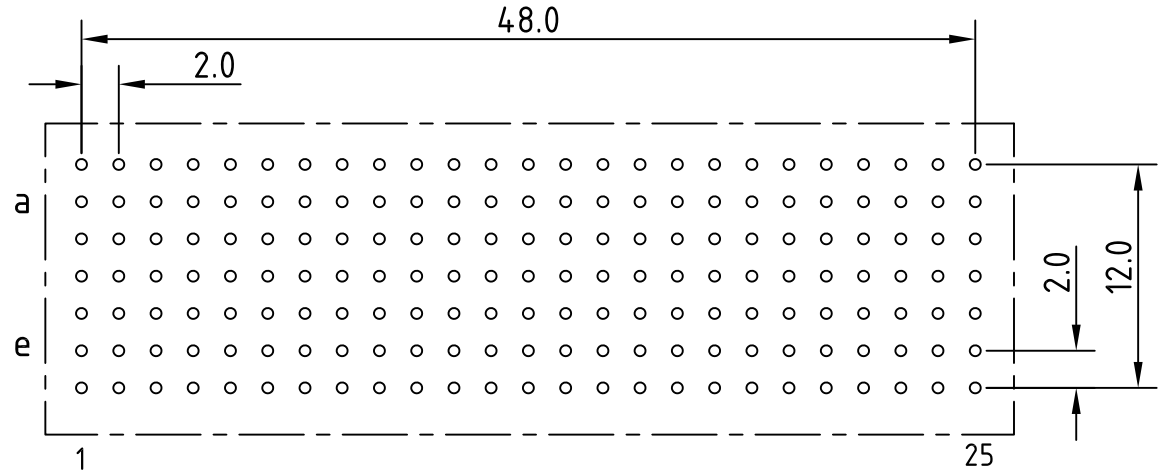
6



VISUAL POLARISATION



LAY-OUT P.C.B.-HOLE



HM2S02PD51M1

LEAD FREE INDICATOR : LF = LEAD FREE (DIGIT 15 & 16)

PLATING CODE (DIGIT 13 AND 14) (REFER DWG. NO. BSC,201844,003)

NOTES

1. THIS PRODUCT MEETS EUROPEAN UNION DIRECTIVES AND OTHER COUNTRY REGULATIONS AS DESCRIBED IN GS-47-0004
2. FOR RECOMMENDED PTH DIMENSIONS REFER DRAWING : BS, A , 201572 , 001
3. COLUMN 1 OF CONNECTOR SHOULD COINCIDE WITH COLUMN 1 OF PCB

CATALOG NO: HM2S02PD51M1----

mat'l. code		surface		tolerance		projection		product family	
		ISO 1302		ISO 406 ISO 1101				MILLIPACS	
ltr		ecn no		dr		date		title	
A		-		MINI		2018-10-13		MPACS TYPE B STR RECEPTACLE 18 MM STACK __ SHIELDED	
				angles		linear		MM	
				0°±1°		-		scale -	
				dr		2018-10-13		dwg no	
				engr		2018-10-13		sheet 1 of 1	
				chr		2018-10-13		size	
				appd		2018-10-13		A3	
sheet index		revision sheet		A		1		type Product Customer Drawing	

1

2

3

4

5

6