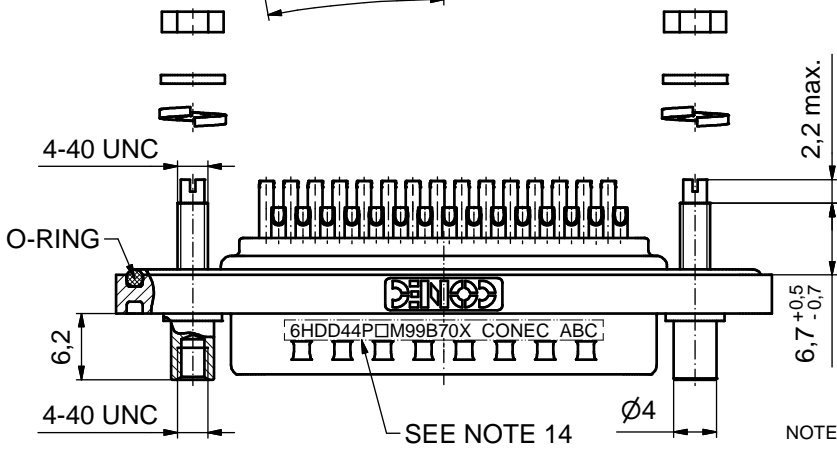
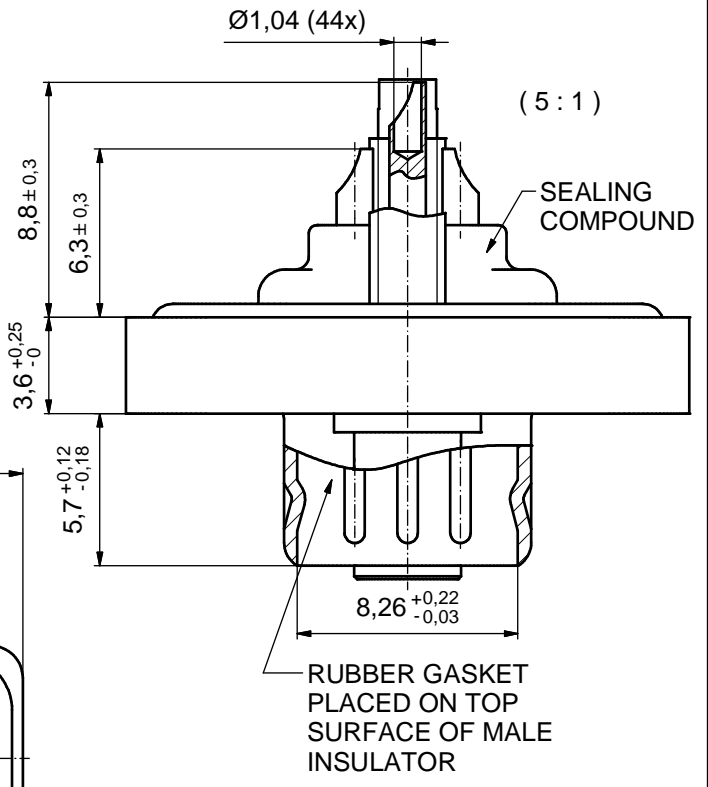
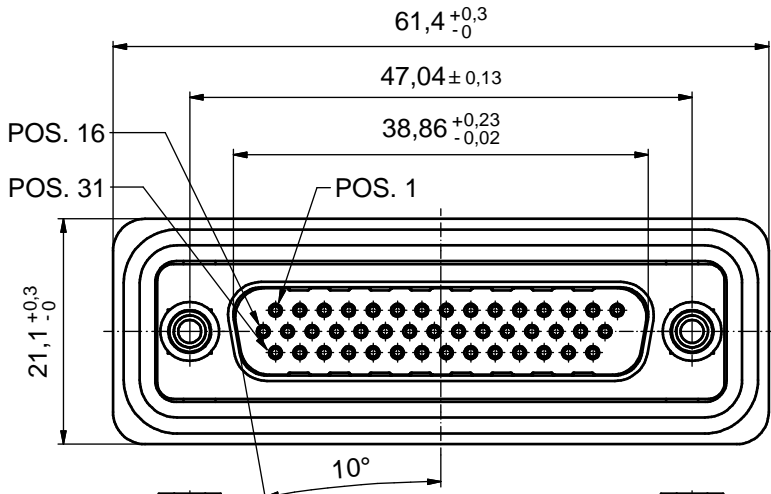
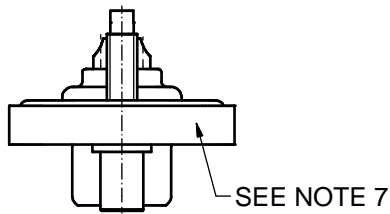


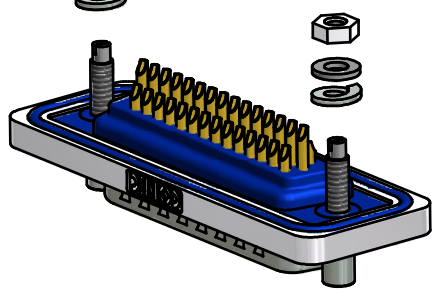
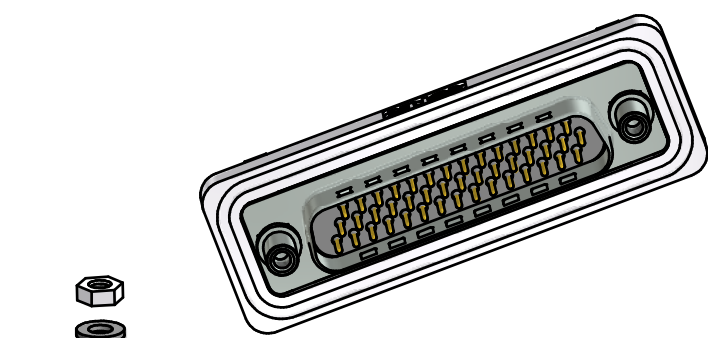
AT ALL TIMES WATER RESISTANT CONNECTORS NOT IN USE SHOULD BE COVERED WITH A CONEC WATER RESISTANT CAP OR WATER TIGHT HOOD.



CONNECTOR WILL BE SUPPLIED WITH:
 2 x NUTS
 2 x FLAT WASHERS
 2 x SPRING WASHERS



- NOTES:
1. RECOMMENDED SOLDER INSTRUCTION SEE SHEET 2
 2. METALSHELLS: COPPER ALLOY; min. 315µm TIN over 40-80µm NICKEL
 3. INSULATORS: PBT GF UL 94 V-0, BLACK
 4. SIGNAL CONTACTS: COPPER ALLOY; PLATING (SEE PART NO.)
 - PLEASE ADD C for 30µm HARD GOLD over min. 50µm NICKEL
 - PLEASE ADD B for 20µm HARD GOLD over min. 50µm NICKEL
 - PLEASE ADD A for GOLD FLASH over NICKEL (PREFERRED TYPE)
 5. THREADED LOCKS: COPPER ALLOY; min. 200µm TIN over 80µm NICKEL
 6. COLLARS: COPPER ALLOY; min. 200µm TIN over 80µm NICKEL
 7. FRAME: ZINC DIE CAST; NICKEL PLATED
 8. STUD BOLTS / 4-40 UNC: STEEL; TIN PLATED
 9. O-RING: SILICON; BLUE
 10. SEALING COMPOUND: PUR; BLUE
 11. RUBBER GASKET: TPE; BLACK
 12. RECOMMENDED PANEL CUT-OUT SEE SHEET 2
 13. RECOMMENDED TORQUE FOR MOUNTING SCREW 35Ncm (3.1 in.LB) / max.40Ncm (3.5 in.LB)
 14. CONNECTOR IS PART MARKED: [6HDD44P□M99B70X CONEC ABC] (see note 4)



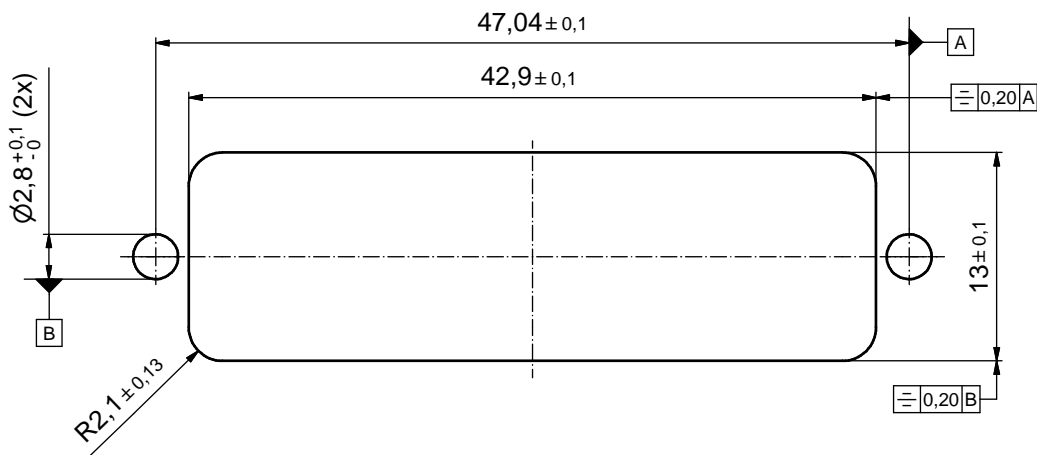
Directive 2002/95/EC RoHS compliant

THIS DRAWING MAY NOT BE COPIED OR REPRODUCED IN ANY WAY, AND MAY NOT BE PASSED ON TO A THIRD PARTY WITHOUT WRITTEN PERMISSION. OWNERSHIP AND COPYRIGHT OF CONEC GmbH DO NOT ALTER CAD DRAWING BY HAND		tolerance		dim. in mm	scale: 2:1 (5:1)	
		date			material: SEE NOTES	
a Original		drawn	27.09.13	name		title: D-SUB HD MALE 44pos. SOLDER CUP with threaded lock and 4-40 UNC stud bolt
		appd.	30.09.13	Fischer		
		norm				
		d-old				
rev. description		date		name		dwg no: 15K1A1371
				CONEC®		DIN-A3 sh: 1/2
						part no: 6HDD44P□M99B70X (see note 4)

Solder Instruction

1. Cable should be prepared for soldering. The cable/wires must be pretinned.
2. Insert cable/wire into solder cup.
3. Operate the soldering iron at 350°C, 50 Watt max . and use a pencil tip.
4. Put tip to wire in solder cup.
5. After 1 second bring in solder.
6. Heat for 3 seconds longer. Do not heat contact more than 4 seconds in total.
7. Remove soldering iron.
8. Wait until solder gets rigid again.
9. Do not solder adjacent contacts consecutively, alternate position within the connector to minimize heat build up.

RECOMMENDED PANEL CUT-OUT



THIS DRAWING MAY NOT BE COPIED OR REPRODUCED IN ANY WAY, AND MAY NOT BE PASSED ON TO A THIRD PARTY WITHOUT WRITTEN PERMISSION. OWNERSHIP AND COPYRIGHT OF CONEC GmbH DO NOT ALTER CAD DRAWING BY HAND				tolerance		scale: 3:1
				date	name	material: SEE SHEET 1
				drawn	27.09.13	Lehmenkühler
				appd.	30.09.13	Fischer
				norm		
				d-old		
				rev.	a Original	
rev.	description	date	name	CONEC [®]		title: RECOMMENDED PANEL CUT-OUT D-SUB HD MALE 44pos. SOLDER CUP with threaded lock and 4-40 UNC stud bolt
						dwg no:
				part no: SEE SHEET 1		15K1A1371