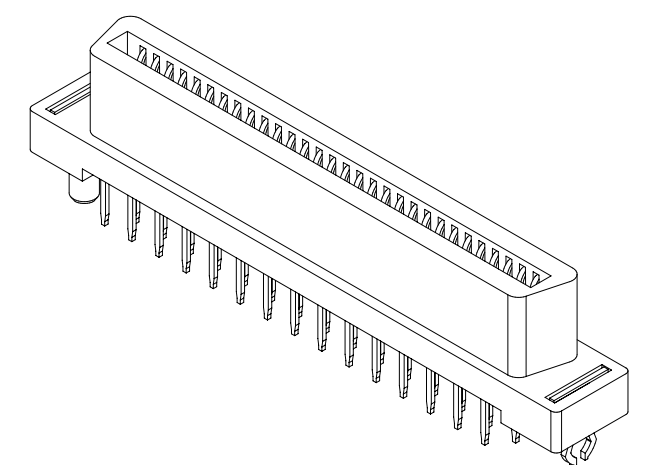
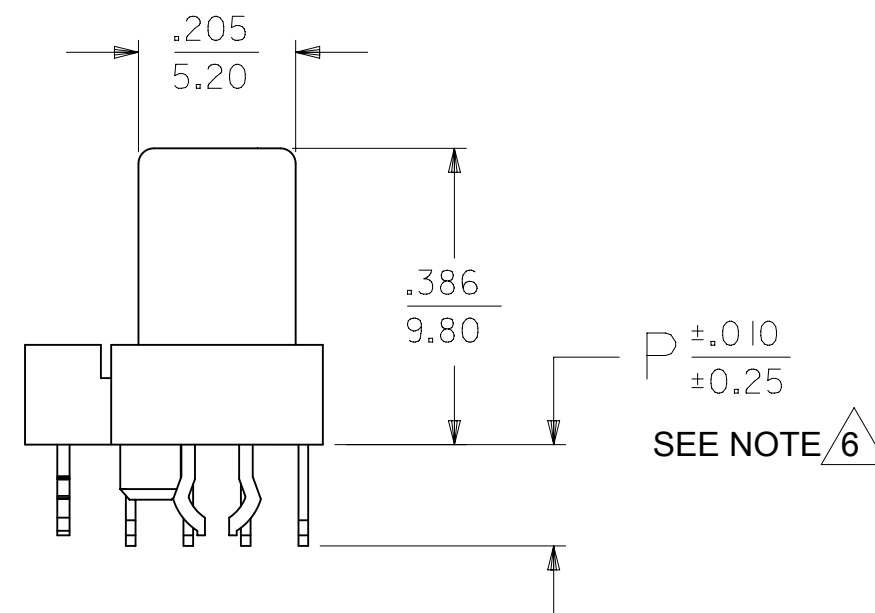
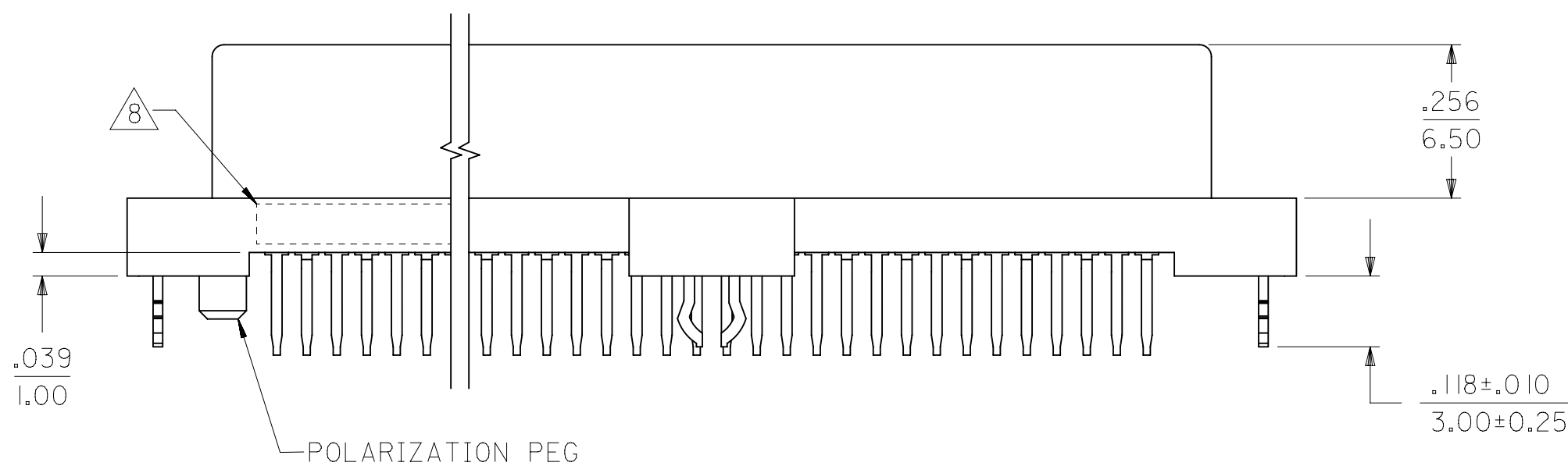
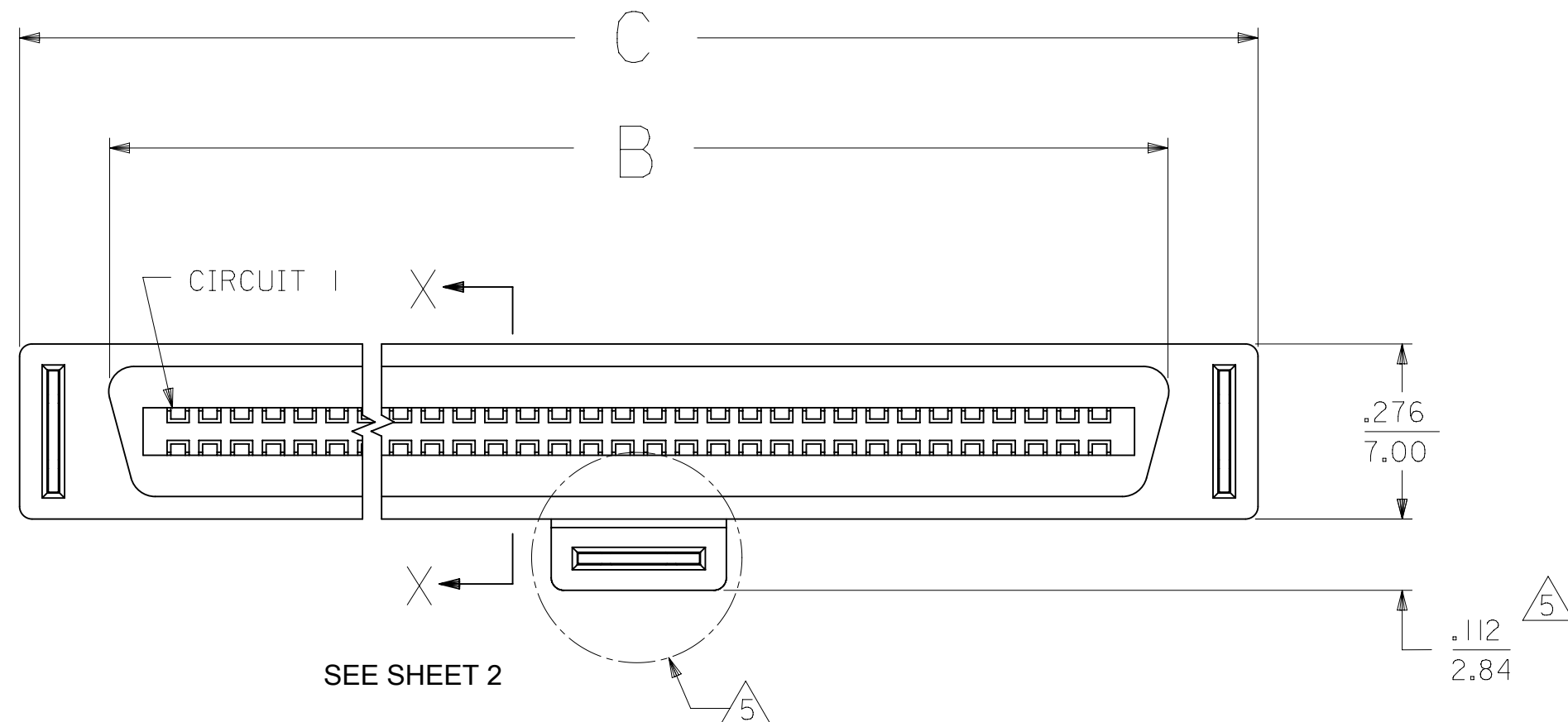


NOTES:

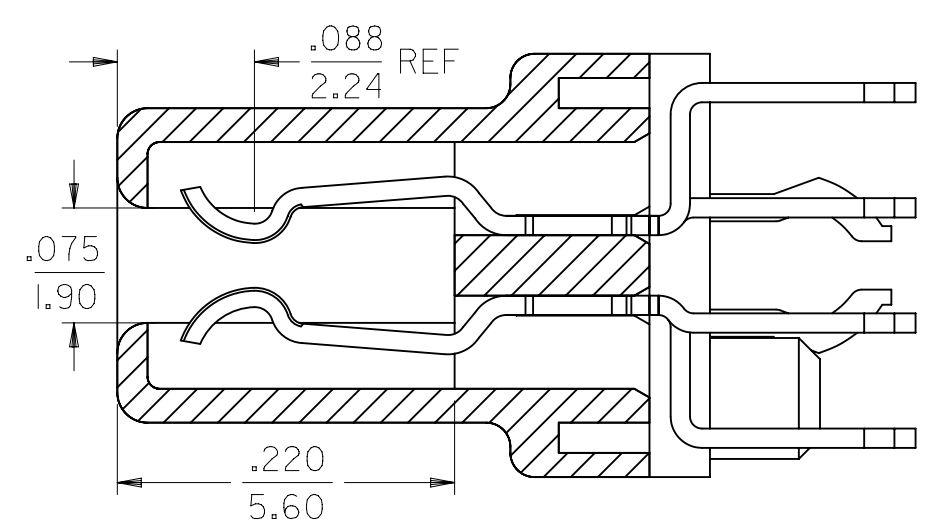
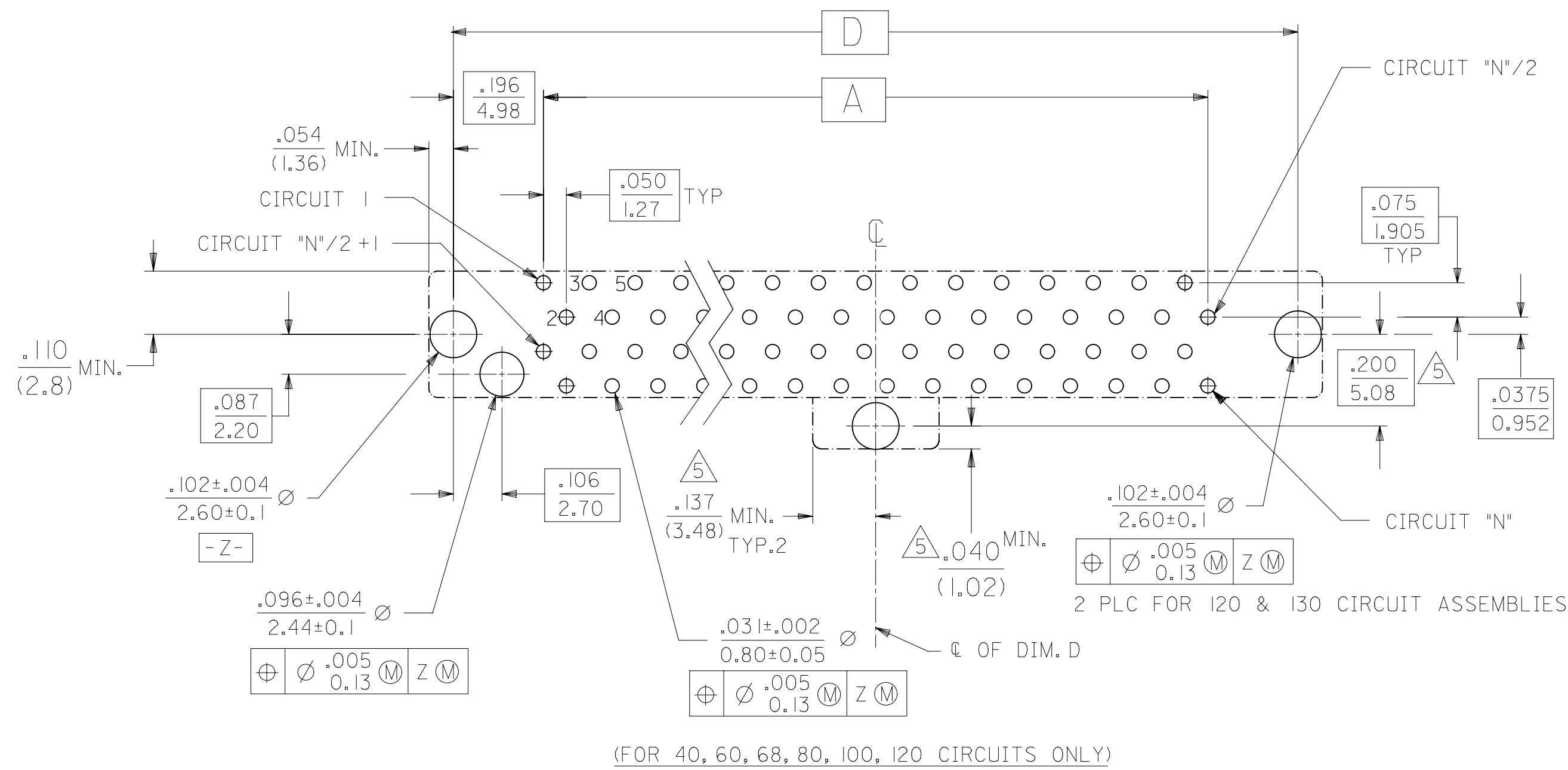
- 1) MATERIALS:  
HOUSING- LCP, GLASS FILLED, 94V-0, BLACK.  
TERMINALS- COPPER ALLOY  
METAL PEGS- COPPER ALLOY
- 2) FINISH:  
TERMINALS:  
.000030/(0.00076) MINIMUM GOLD IN CONTACT AREA OVER  
.000050/(0.00127) MINIMUM TIN IN TAIL AREA OVER  
.000075/(0.00191) MINIMUM NICKEL UNDERPLATE OVERALL.
- 3) ASSEMBLY MATES WITH MOLEX P/N SDA-71661-\*\*\*\*.
- 4) CONFORMS TO PRODUCT SPECIFICATION PS-71660.
- 5 CENTER PEG IS ONLY ON I20 AND I30 CIRCUIT ASSEMBLIES.
- 6 TAIL LENGTH ON FIRST MATE CONTACTS IS APPROXIMATELY .010 INCH/0.25 MM SHORTER THAN THE TAIL LENGTH SPECIFIED.
- 7 CONNECTOR WILL ACCEPT MATING TO A P.C. BOARD WITH A THICKNESS OF .062±.003.
- 8 FOUR DIGIT DATE CODE (WK YR), EXAMPLE => 26 96 LOCATED IN AREA INDICATED.
- 9 SEE CHART FOR PACKAGING INFORMATION.



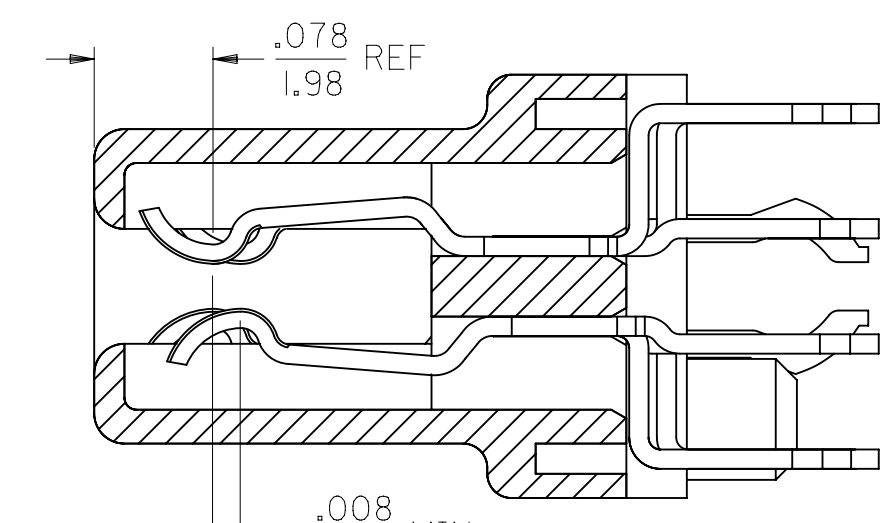
60 CIRCUIT ASSEMBLY SHOWN  
SCALE 2:1

THIS DRAWING CONTAINS INFORMATION THAT IS PROPRIETARY TO MOLEX ELECTRONIC TECHNOLOGIES, LLC AND SHOULD NOT BE USED WITHOUT WRITTEN PERMISSION

DIMENSION UNITS <b>IN/MM</b>		SCALE <b>4:1</b>		CURRENT REV DESC: OBSOLETE PART NO				<b>molex</b>					
GENERAL TOLERANCES (UNLESS SPECIFIED)				EC NO: 625872								SALES ASSEMBLY MOLEX EBBI 50D VERTICAL RECEPTACLE CONNECTOR	
		MM	INCH	DRWN: AKUMAR19		2019/06/06		PRODUCT CUSTOMER DRAWING					
4 PLACES		±	±	CHK'D: GB		2019/11/06						DOCUMENT NUMBER <b>SDA-71660-1XXX</b>	
3 PLACES		±	± 0.005	APPR: GGA		2019/11/12		DOC TYPE PSD		DOC PART 001			
2 PLACES		± 0.13	± 0.01	INITIAL REVISION:				MATERIAL NUMBER SEE TABLE					
1 PLACE		± 0.25	±	DRWN: RAN		1992/06/15						CUSTOMER GENERAL MARKET	
0 PLACES		±	±	APPR: CAB		1992/06/15		DRAWING C-SIZE					
ANGULAR TOL		± 0.5°		THIRD ANGLE PROJECTION		SERIES 71660							
DRAFT WHERE APPLICABLE MUST REMAIN WITHIN DIMENSIONS				THIRD ANGLE PROJECTION		DRAWING C-SIZE		SERIES 71660					



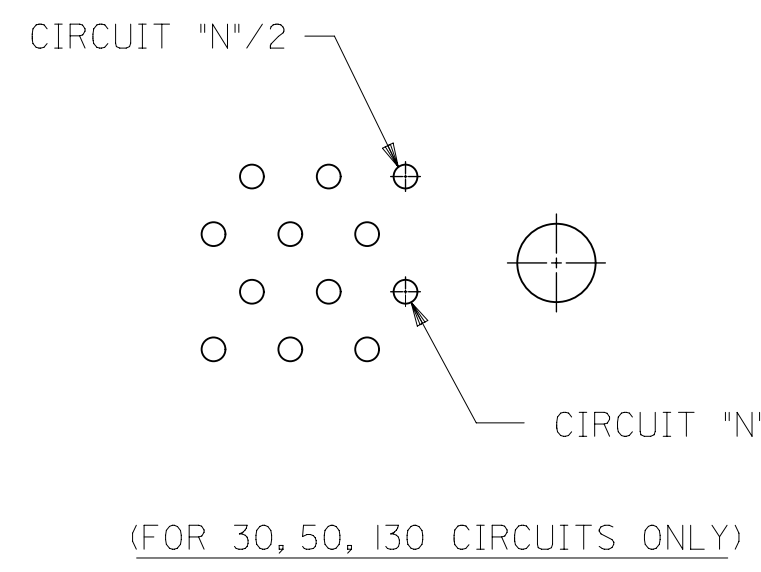
STANDARD PRODUCT



FMLB OPTION

SECTION X-X  
SCALE - 8:1

RECOMMENDED PC BOARD LAYOUT  
COMPONENT SIDE



THIS DRAWING CONTAINS INFORMATION THAT IS PROPRIETARY TO MOLEX ELECTRONIC TECHNOLOGIES, LLC AND SHOULD NOT BE USED WITHOUT WRITTEN PERMISSION									
DIMENSION UNITS <b>IN/MM</b>		SCALE <b>4:1</b>		CURRENT REV DESC: OBSOLETE PART NO					
GENERAL TOLERANCES (UNLESS SPECIFIED)				EC NO: 625872		2019/06/06			
4 PLACES ±		±		DRWN: AKUMAR19		2019/11/06			
3 PLACES ±		± 0.005		CHK'D: GB		2019/11/12			
2 PLACES ±		± 0.01		APPR: GGA		2019/11/12			
1 PLACE ±		±		INITIAL REVISION:					
0 PLACES ±		±		DRWN: RAN		1992/06/15			
ANGULAR TOL ± 0.5°		± 0.5°		APPR: CAB		1992/06/15			
DRAFT WHERE APPLICABLE MUST REMAIN WITHIN DIMENSIONS				THIRD ANGLE PROJECTION		DRAWING		SERIES	
				C-SIZE		71660			
DOCUMENT NUMBER		DOC TYPE		DOC PART		REVISION			
SDA-71660-1XXX		PSD		001		P			
MATERIAL NUMBER		CUSTOMER		SHEET NUMBER					
SEE TABLE		GENERAL MARKET		2 OF 3					

ENGINEERING NUMBER	EDP NUMBER	PACKAGING SPEC	CKT ("N")	A	B	C	D	P	ADVANCED TERMINALS / CKTS SEE SECTION X-X "FMLB OPT"
SDA-71660-1030	015-92-1030	PK-71660	30	.700 (17.78)	.918 (23.32)	1.199 (30.45)	1.092 (27.75)	↑ ↓ .134 (3.40)	↑ ↓ N/A
SDA-71660-1050	015-92-1050	PK-71660	50	1.200 (30.48)	1.418 (36.02)	1.699 (43.15)	1.592 (40.45)		
<b>SDA-71660-1080</b>	<b>015-92-1080</b>	<b>PK-71660</b>	<b>80</b>	<b>1.950 (49.53)</b>	<b>2.668 (67.77)</b>	<b>2.949 (74.90)</b>	<b>2.842 (72.20)</b>		
SDA-71660-1100	015-92-1100	PK-71660	100	2.450 (62.23)	2.668 (67.77)	2.949 (74.90)	2.842 (72.20)		
SDA-71660-1120	015-92-1120	PK-71660	120	2.950 (74.93)	3.168 (80.47)	3.449 (87.60)	3.342 (84.90)		
SDA-71660-1130	015-92-1130	PK-71660	130	3.200 (81.28)	3.418 (86.82)	3.699 (93.95)	3.592 (91.25)		
SDA-71660-1330	015-92-1430	PK-71660	30	.700 (17.78)	.918 (23.32)	1.199 (30.45)	1.092 (27.75)	↑ ↓ .110 (2.79)	↑ ↓ N/A
SDA-71660-1340	015-92-1440	PK-71660	40	.950 (24.13)	1.168 (29.67)	1.449 (36.80)	1.342 (34.10)		
SDA-71660-1350	015-92-1450	PK-71660	50	1.200 (30.48)	1.418 (36.02)	1.699 (43.15)	1.592 (40.45)		
SDA-71660-1360	015-92-1460	PK-71660	60	1.450 (36.83)	1.668 (42.37)	1.949 (49.50)	1.842 (46.80)		
SDA-71660-1380	015-92-1480	PK-71660	80	1.950 (49.53)	2.168 (55.07)	2.449 (62.20)	2.342 (59.50)		
SDA-71660-1400	015-92-1500	PK-71660	100	2.450 (62.23)	2.668 (67.77)	2.949 (74.90)	2.842 (72.20)		
SDA-71660-1420	015-92-1520	PK-71660	120	2.950 (74.93)	3.168 (80.47)	3.449 (87.60)	3.342 (84.90)		
SDA-71660-1630	716601630	PK-71660	30	.700 (17.78)	.918 (23.32)	1.199 (30.45)	1.092 (27.75)	↑ ↓ .155 (3.94)	↑ ↓ N/A
SDA-71660-1640	716601640	PK-71660	40	.950 (24.13)	1.168 (29.67)	1.449 (36.80)	1.342 (34.10)		
SDA-71660-1650	716601650	PK-71660	50	1.200 (30.48)	1.418 (36.02)	1.699 (43.15)	1.592 (40.45)		
SDA-71660-1660	716601660	PK-71660	60	1.450 (36.83)	1.668 (42.37)	1.949 (49.50)	1.842 (46.80)		
SDA-71660-1668	716601668	PK-71660	68	1.650 (41.91)	1.868 (47.45)	2.149 (54.58)	2.042 (51.88)		
SDA-71660-1680	716601680	PK-71660	80	1.950 (49.53)	2.168 (55.07)	2.449 (62.20)	2.342 (59.50)		
SDA-71660-1700	716601700	PK-71660	100	2.450 (62.23)	2.668 (67.77)	2.949 (74.90)	2.842 (72.20)		
SDA-71660-1720	716601720	PK-71660	120	2.950 (74.93)	3.168 (80.47)	3.449 (87.60)	3.342 (84.90)		
SDA-71660-1730	716601730	PK-71660	130	3.200 (81.28)	3.418 (86.82)	3.699 (93.95)	3.592 (91.25)		

THIS DRAWING CONTAINS INFORMATION THAT IS PROPRIETARY TO MOLEX ELECTRONIC TECHNOLOGIES, LLC AND SHOULD NOT BE USED WITHOUT WRITTEN PERMISSION

DIMENSION UNITS <b>IN/MM</b>	SCALE <b>4:1</b>	CURRENT REV DESC: OBSOLETE PART NO	
GENERAL TOLERANCES (UNLESS SPECIFIED)		EC NO: 625872	
4 PLACES ±	±	DRWN: AKUMAR19	2019/06/06
3 PLACES ±	± 0.005	CHK'D: GB	2019/11/06
2 PLACES ±	± 0.13 ± 0.01	APPR: GGA	2019/11/12
1 PLACE ±	± 0.25 ±	INITIAL REVISION:	
0 PLACES ±	±	DRWN: RAN	1992/06/15
ANGULAR TOL ± 0.5 °		APPR: CAB	1992/06/15
DRAFT WHERE APPLICABLE MUST REMAIN WITHIN DIMENSIONS	THIRD ANGLE PROJECTION	DRAWING	SERIES
		<b>C-SIZE</b>	<b>71660</b>

<b>molex</b>			
SALES ASSEMBLY MOLEX EBBI 50D VERTICAL RECEPTACLE CONNECTOR			
PRODUCT CUSTOMER DRAWING			
DOCUMENT NUMBER	DOC TYPE	DOC PART	REVISION
<b>SDA-71660-1XXX</b>	PSD	001	<b>P</b>
MATERIAL NUMBER	CUSTOMER	SHEET NUMBER	
SEE TABLE	GENERAL MARKET	3 OF 3	