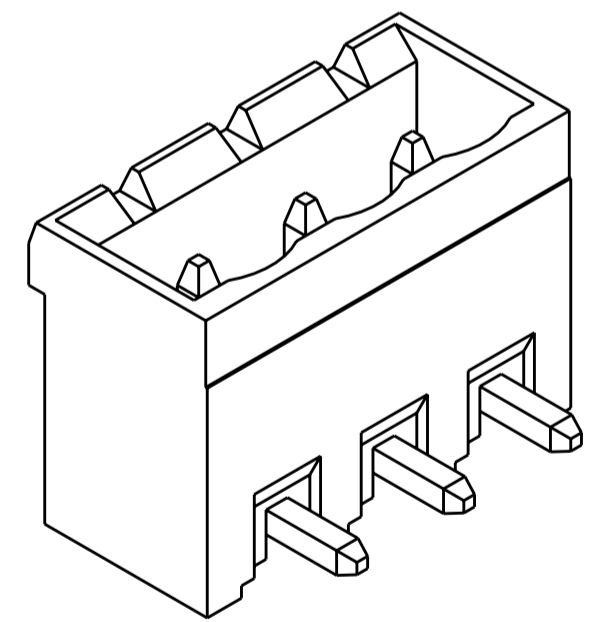
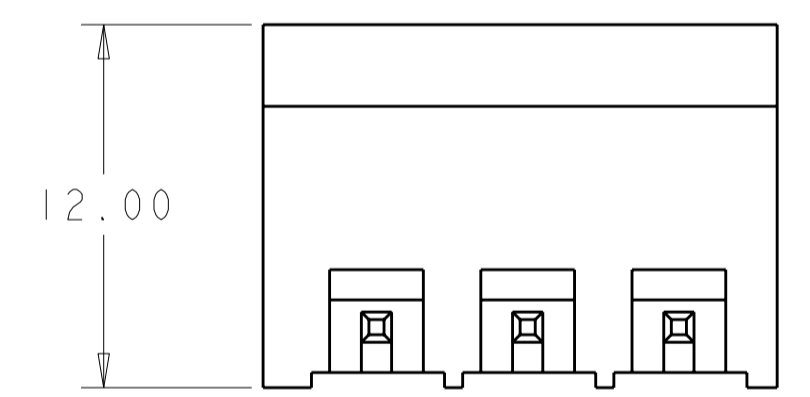
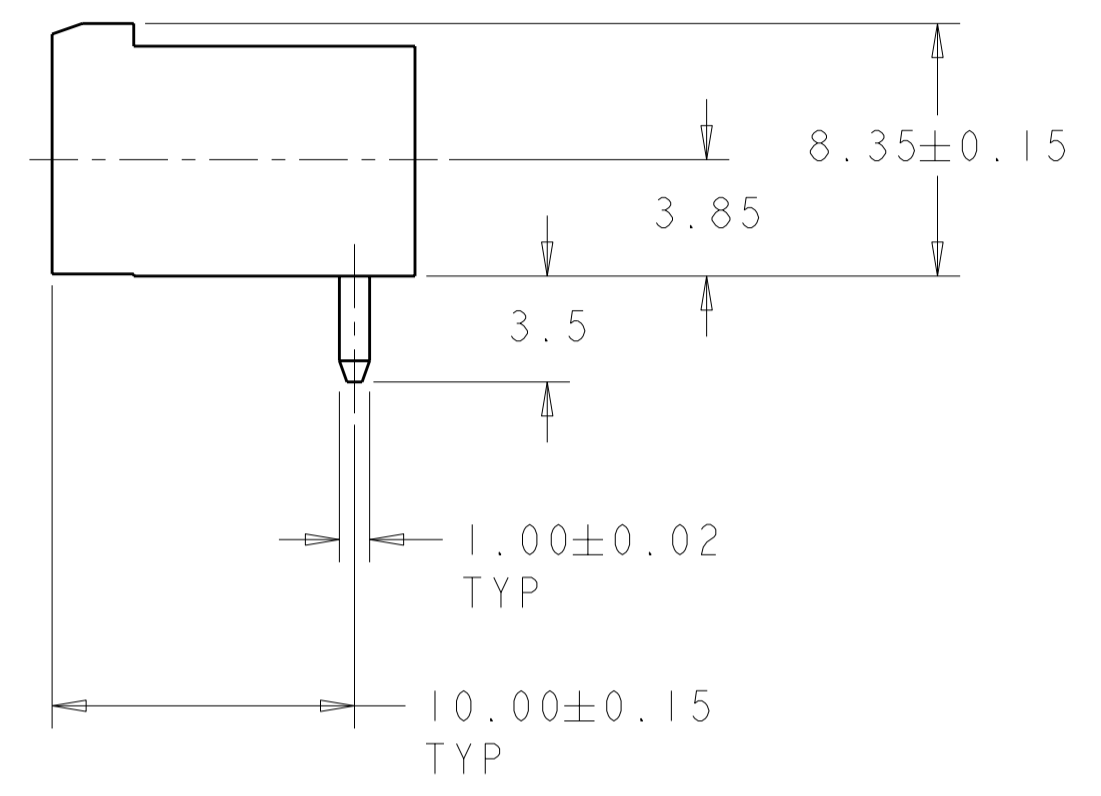
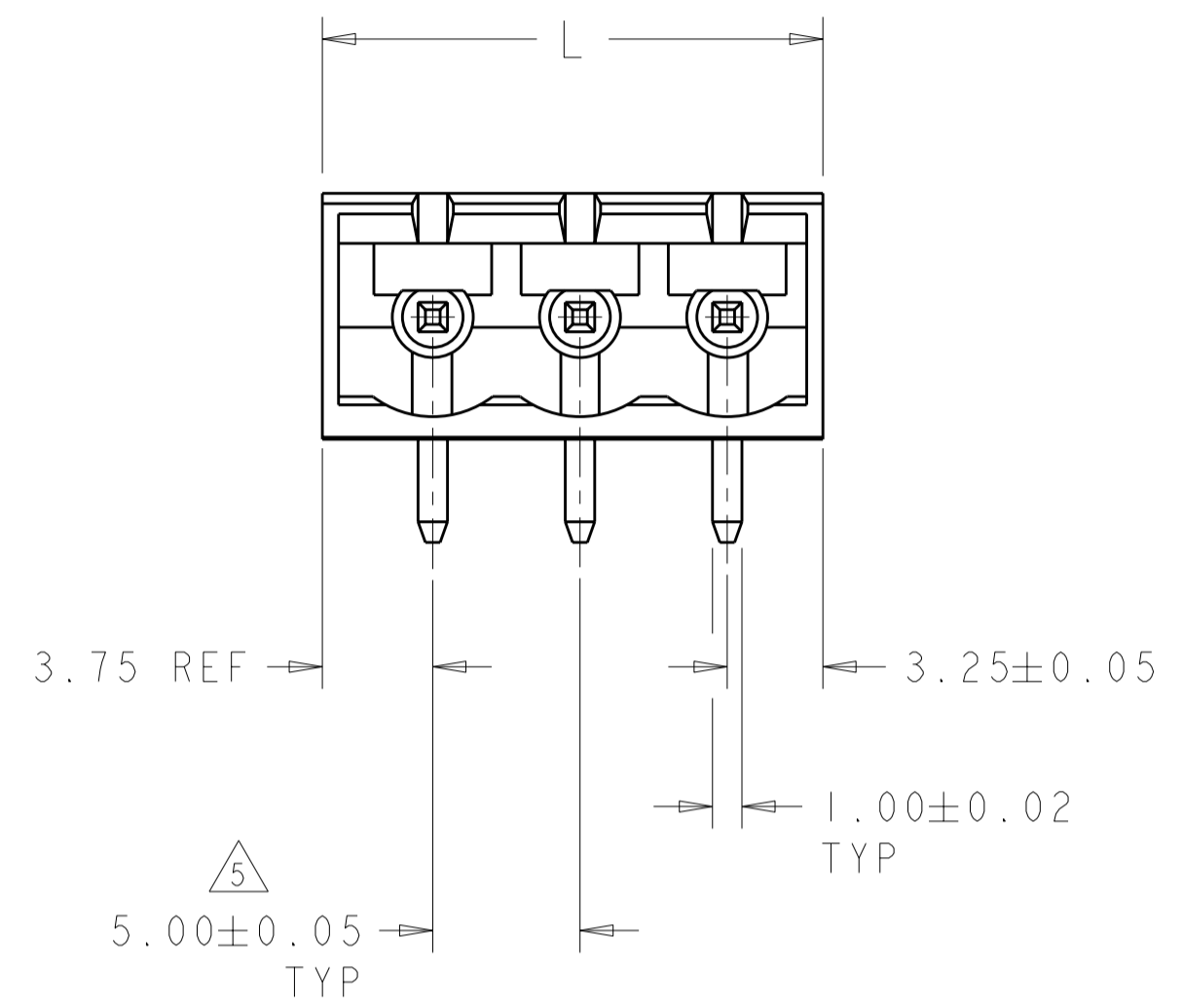
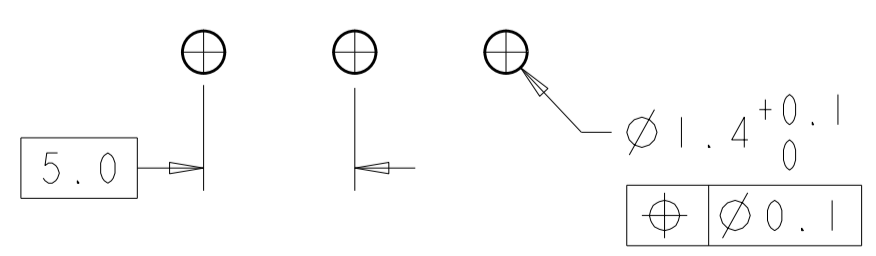


THIS DRAWING IS UNPUBLISHED. RELEASED FOR PUBLICATION 20
 © COPYRIGHT 20 BY TYCO ELECTRONICS CORPORATION. ALL RIGHTS RESERVED.

LOC		DIST		REVISIONS			
P	LTR	DESCRIPTION	DATE	DWN	APVD		
	1	-	14JAN2008	SS	CR		
	A	REVISED PER ECO-08-001481	18JAN2008	SS	CR		



- △ MATERIALS AND FINISH:
HOUSING: PA 6-6, UL 94-V0, COLOR: RED.
TERMINAL: PHOSPHOR BRONZE, TIN PLATED.
- 2. SUITABLE FOR 1,6-2, 4mm PC BOARD THICKNESS.
- 3. RECOGNIZED UNDER THE COMPONENT PROGRAM OF UNDERWRITERS LABORATORIES INC. FILE N° E60677.
- 4. IMQ CERTIFICATE WITH SURVEILLANCE IN CONFORMITY WITH IEC 998-1/998-2-1.)
- △ NOT CUMULATIVE TOLERANCE.
- 6. BUCHANAN LOGO TO APPEAR ON HOUSING, LOCATION OPTIONAL WHERE SPACE PERMITS.



RECOMMENDED PC BOARD LAYOUT

32.0	6	1986342-6
DIM L	NO OF POSN	PART NUMBER

THIS DRAWING IS A CONTROLLED DOCUMENT FOR TYCO ELECTRONICS CORPORATION. IT IS SUBJECT TO CHANGE AND THE CONTROLLING ENGINEERING ORGANIZATION SHOULD BE CONTACTED FOR THE LATEST REVISION.		DWN S. SCHLEGEL 14JAN2008	Tyco Electronics Harrisburg, PA 17105-3608	
DIMENSIONS: mm		CHK C. RICHARD 14JAN2008	NAME TERMI-BLOK HEADER ASSEMBLY, 90 DEGREE, CLOSED ENDS, 5.00mm PITCH	
TOLERANCES UNLESS OTHERWISE SPECIFIED:		APVD C. RICHARD 14JAN2008	SIZE A2	
0 PLC ±-	1 PLC ±0.3	PRODUCT SPEC -	CAGE CODE 00779	DRAWING NO C-1986342
2 PLC ±0.25	3 PLC ±-	APPLICATION SPEC -	RESTRICTED TO -	
4 PLC ±-	ANGLES ±-	WEIGHT -	SCALE 4:1	
MATERIAL	FINISH	CUSTOMER DRAWING	SHEET 1 OF 1 REV A	