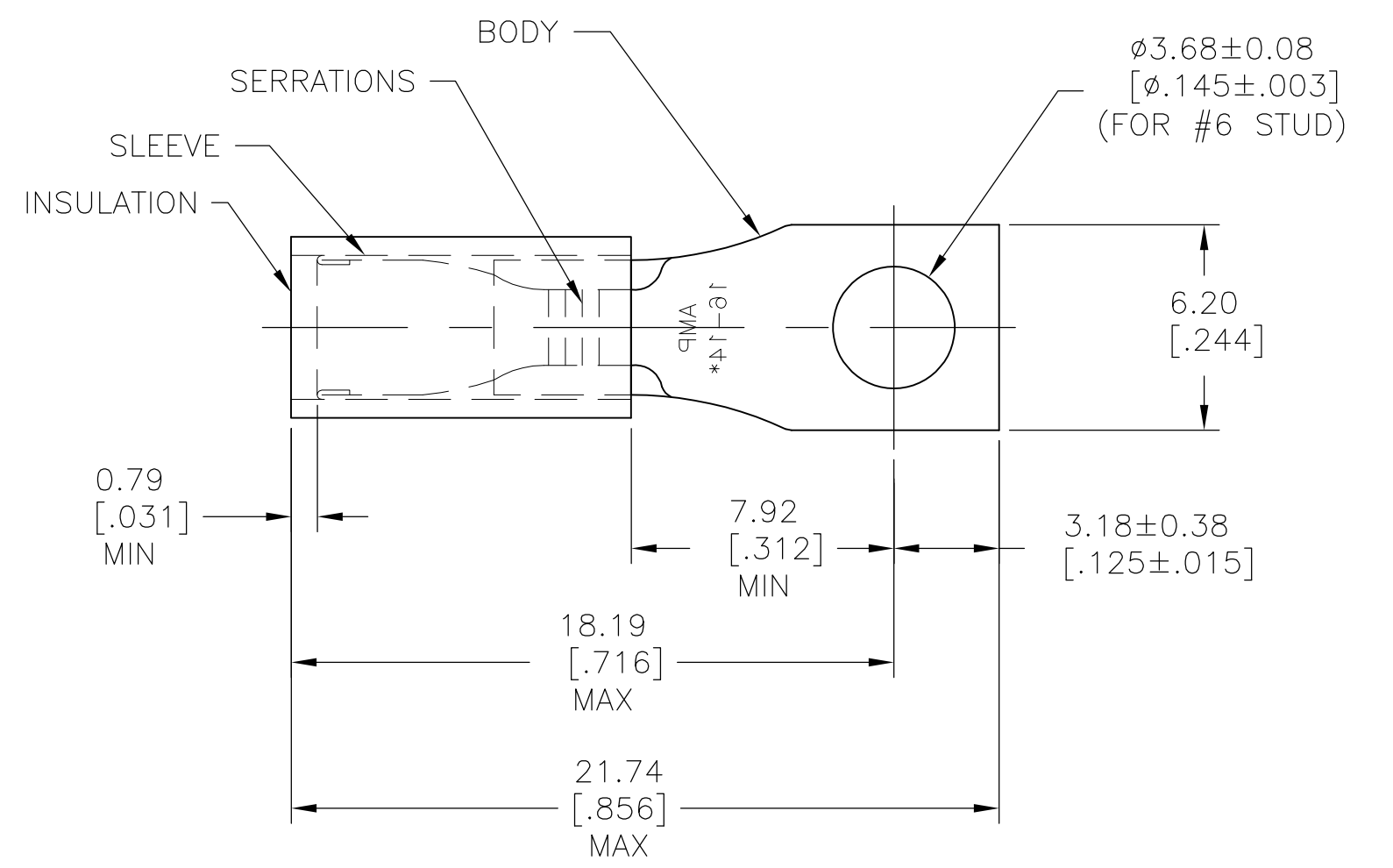


THIS DRAWING IS UNPUBLISHED. RELEASED FOR PUBLICATION  
 © COPYRIGHT BY TYCO ELECTRONICS CORPORATION. ALL INTERNATIONAL RIGHTS RESERVED.

LOC	DIST	REVISIONS					
G	14	P	LTR	DESCRIPTION	DATE	DWN	APVD
		G1		REDRAWN PER ECO-09-005960	14APR09	HMR	JR



TONGUE MATERIAL THK =  $0.79 \pm 0.05$  [  $.031 \pm 0.002$  ]  
 FOR 2.92 [ .115 ] TO 4.32 [ .170 ] WIRE INS. DIA

100	LOOSE PC, BOX	8-33173-1	INSULATION: NYLON COLOR: BLUE SLEEVE: COPPER (ASTM-B152) BODY: COPPER (ASTM-B152) TIN PL (ASTM-B545)
OBSOLETE	<del>1</del>	<del>33173 ON TAPE</del>	
	1	WIRE TERMINAL	
QTY	DESCRIPTION	PART NO	MATERIAL & FINISH

THIS DRAWING IS A CONTROLLED DOCUMENT.		DWN	14APR09	Tyco Electronics Corporation	
		CHK	14APR09	Harrisburg, PA 17105-3608	
		APVD	14APR09	NAME	
		Tom Michielutti		WIRE TERMINAL	
DIMENSIONS: mm [INCHES]		TOLERANCES UNLESS OTHERWISE SPECIFIED:		P.I.D.G.-RECTANGULAR TONGUE	
		0 PLC ± -		WIRE SIZE: 16-14	
		1 PLC ± -		SIZE	
		2 PLC ± -		CAGE CODE	
		3 PLC ± 0.20 [ .008 ]		DRAWING NO	
		4 PLC ± -		RESTRICTED TO	
		ANGLES ± 5°		A3 00779 C-33173	
MATERIAL		FINISH		WEIGHT	
SEE TABLE		SEE TABLE		-	
CUSTOMER DRAWING				SCALE	5:1
				SHEET	1 OF 1
				REV	G1