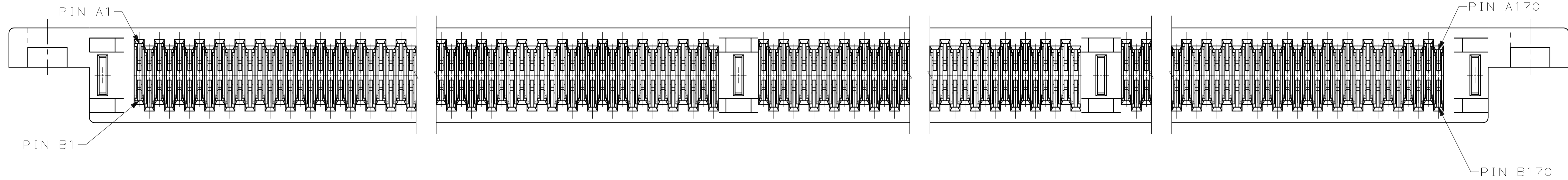
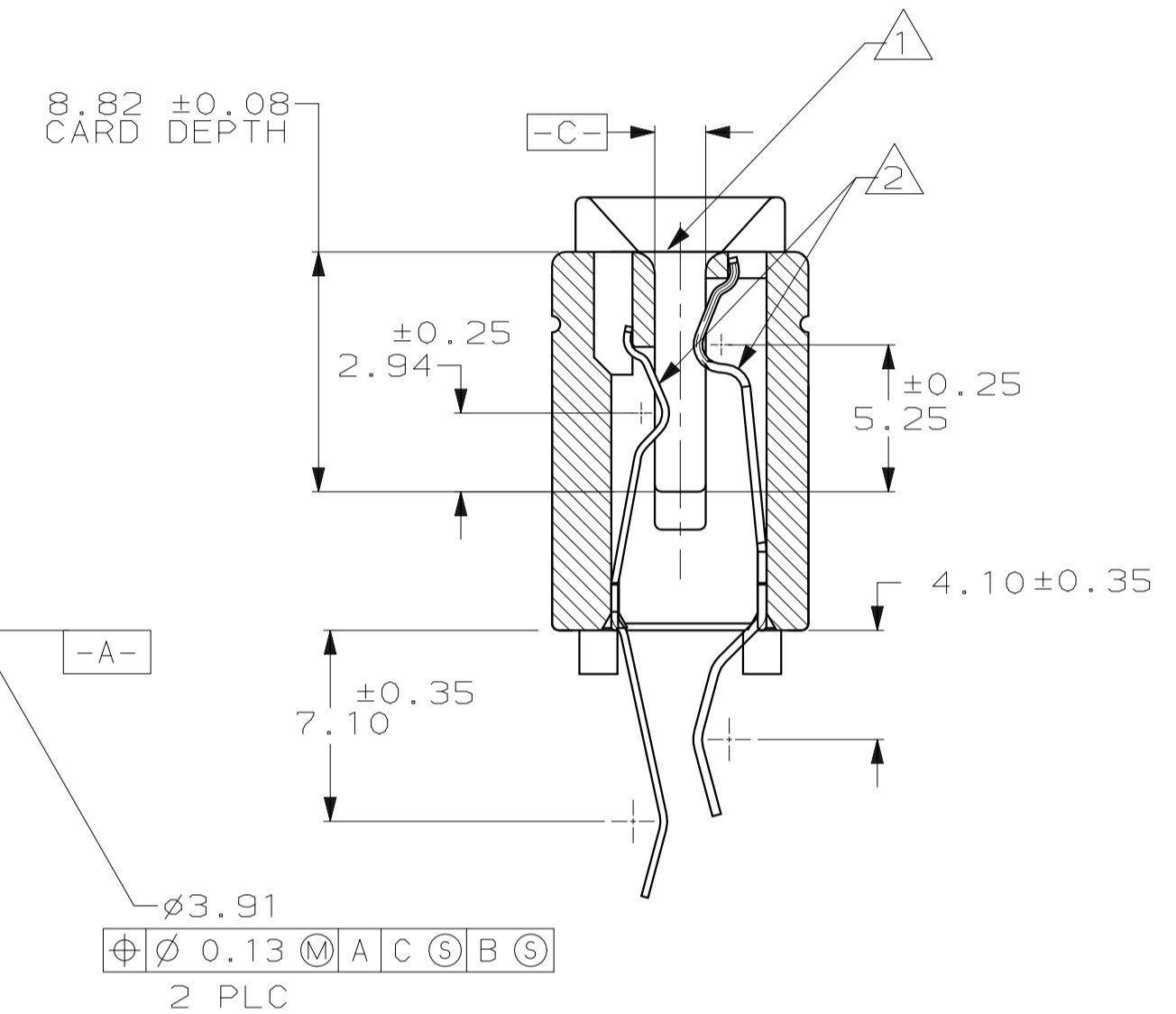
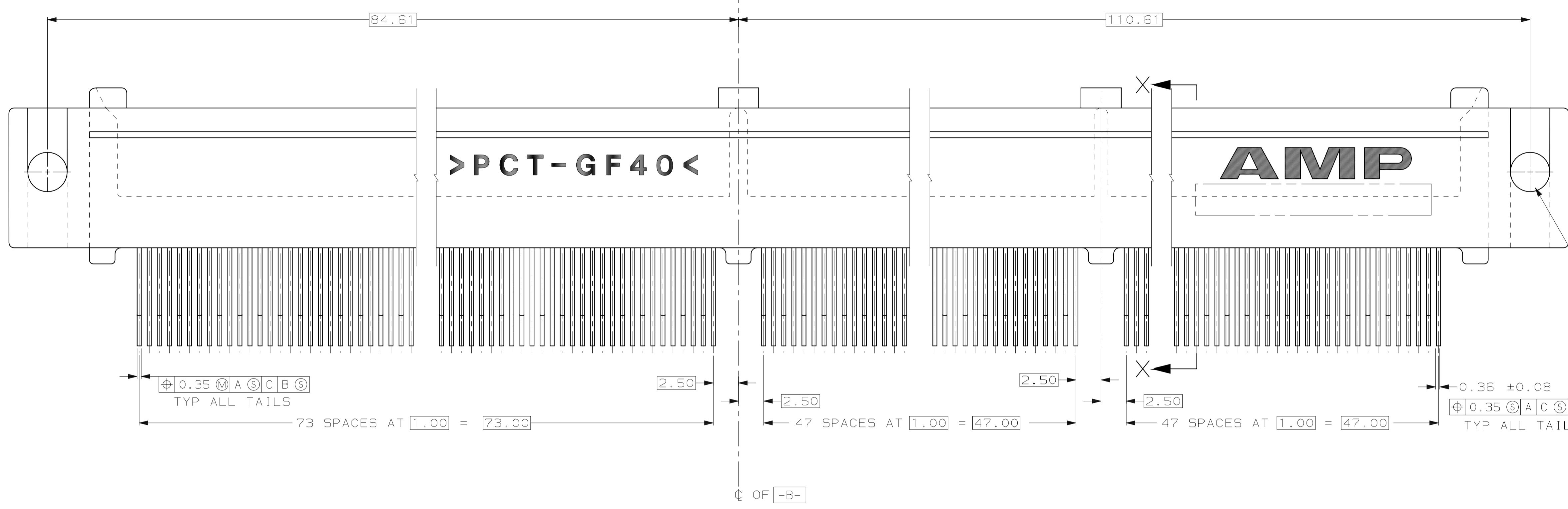
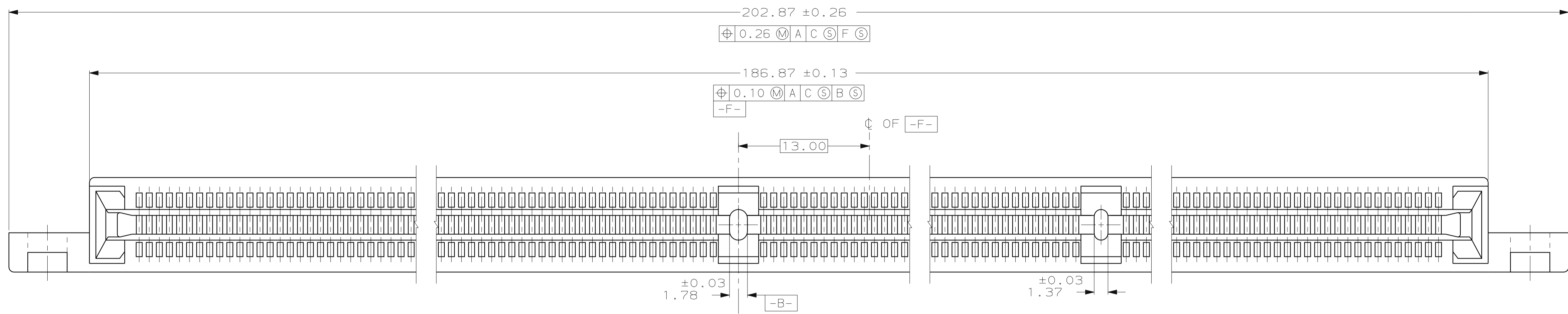


LOC		DIST		REVISIONS			
AD	14	SP	LTR	DESCRIPTION	DATE	OWN	APVD
		0		PROPOSED	18MAR99	RB	KS

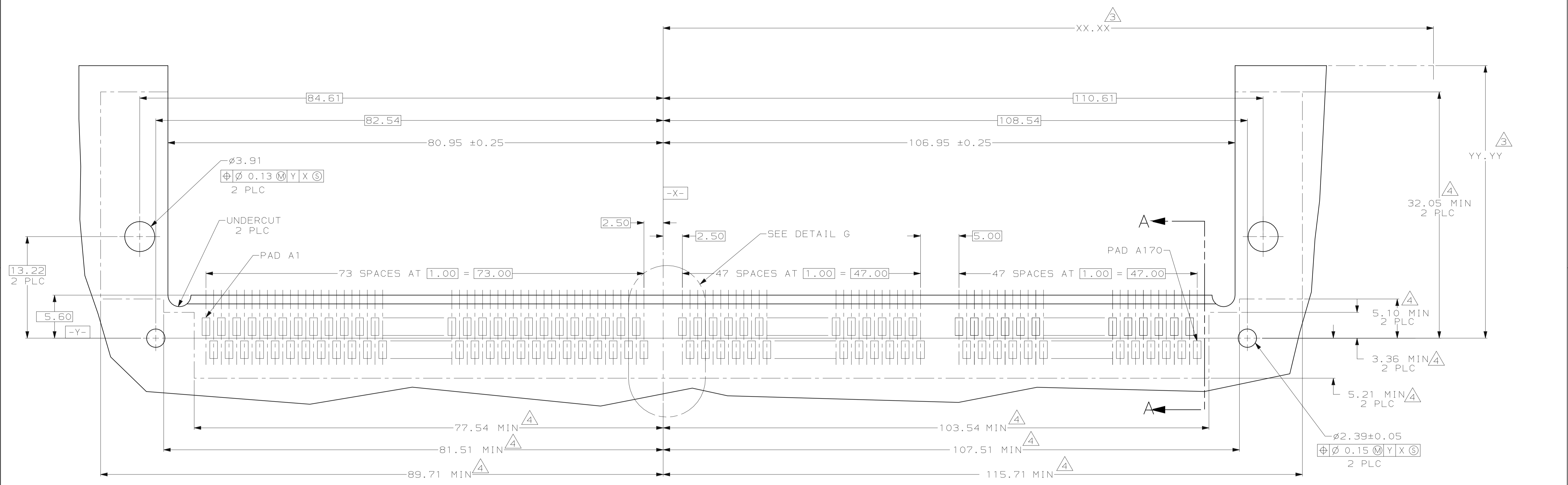


- 1 MATERIAL: HOUSING, THERMOPLASTIC, COLOR: BROWN. CONTACTS, PHOSPHOR BRONZE.
- 2 FINISH: CONTACTS, 1.27 MIN. MICROMETERS NICKEL ALL OVER, 0.38 MIN. MICROMETERS GOLD OVER NICKEL IN CONTACT AREA, 2.54 MIN MICROMETERS TIN-LEAD OVER NICKEL ON SOLDER TAILS.
- 3 DIMENSIONS AND DATUMS TO BE ESTABLISHED BY CUSTOMER.
- 4 MINIMUM KEEP OUT DISTANCE.
- 5 FINISH: CONTACTS, 1.27 MIN. MICROMETERS NICKEL ALL OVER, 0.0254-0.0762 MIN. MICROMETERS GOLD OVER NICKEL IN CONTACT AREA, 2.54 MIN MICROMETERS TIN-LEAD OVER NICKEL ON SOLDER TAILS.
- 6 FASTENER KEEP OUT DISTANCE TO BE SPECIFIED BY CUSTOMER.

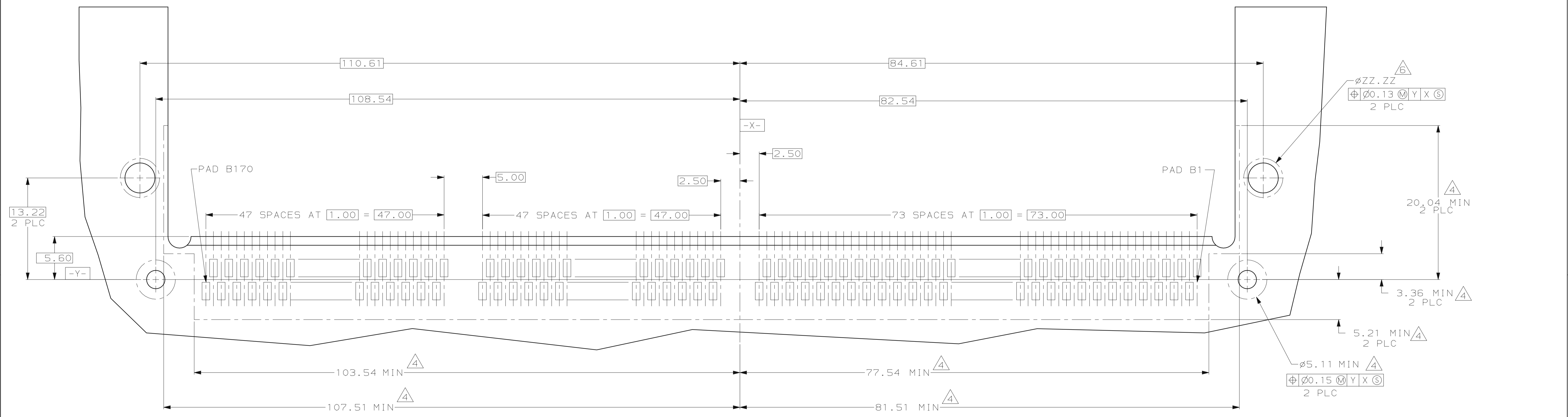
SEE SHEET 2 OF 2 FOR RECOMMENDED BOARD LAYOUTS

<small>THIS DRAWING IS UNPUBLISHED. RELEASED FOR PUBLICATION .19 © COPYRIGHT 19 BY AMP INCORPORATED. ALL RIGHTS RESERVED.</small>		DWN R BROWN 18MAR99 CHK K STILES 18MAR99 D SUMMERS 18MAR99	AMP Incorporated Harrisburg, PA 17105-3608
DIMENSIONS: mm TOLERANCES UNLESS OTHERWISE SPECIFIED: 0 PLC ± 1 PLC ±.13 2 PLC ±0.13 3 PLC ±.013 4 PLC ± ANGLES 11°		AMP, 1mm ϕ , STANDARD EDGE, 340 POSN, STRADDLE MOUNT CONNECTOR WITH MOUNTING EARS	SIZE A1 CASE CODE 00779 DRAWING NO. C-145282
MATERIAL 1 FINISH 2		WEIGHT - CUSTOMER DRAWING	SCALE 4:1 SHEET 1 OF 4 REV 0

LOC	DIST	REV	DESCRIPTION	DATE	DWN	APVD
AD	14		SEE SHEET 1			



RECOMMENDED CONNECTOR MATING PAD PATTERN
(PRIMARY SIDE SHOWN)

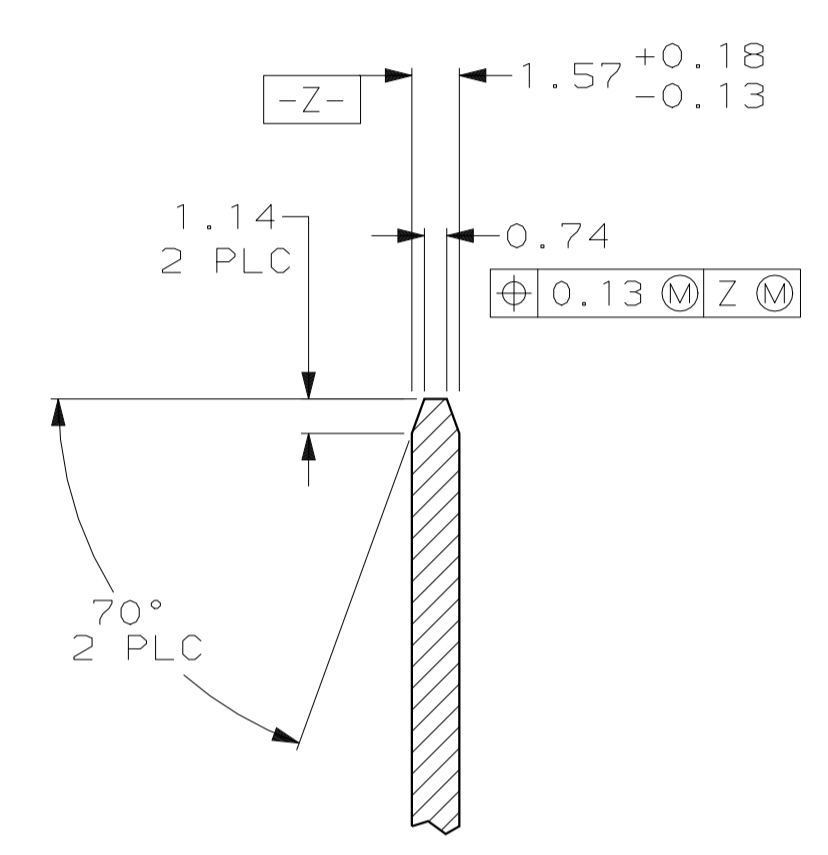


RECOMMENDED CONNECTOR MATING PAD PATTERN
(SECONDARY SIDE SHOWN)

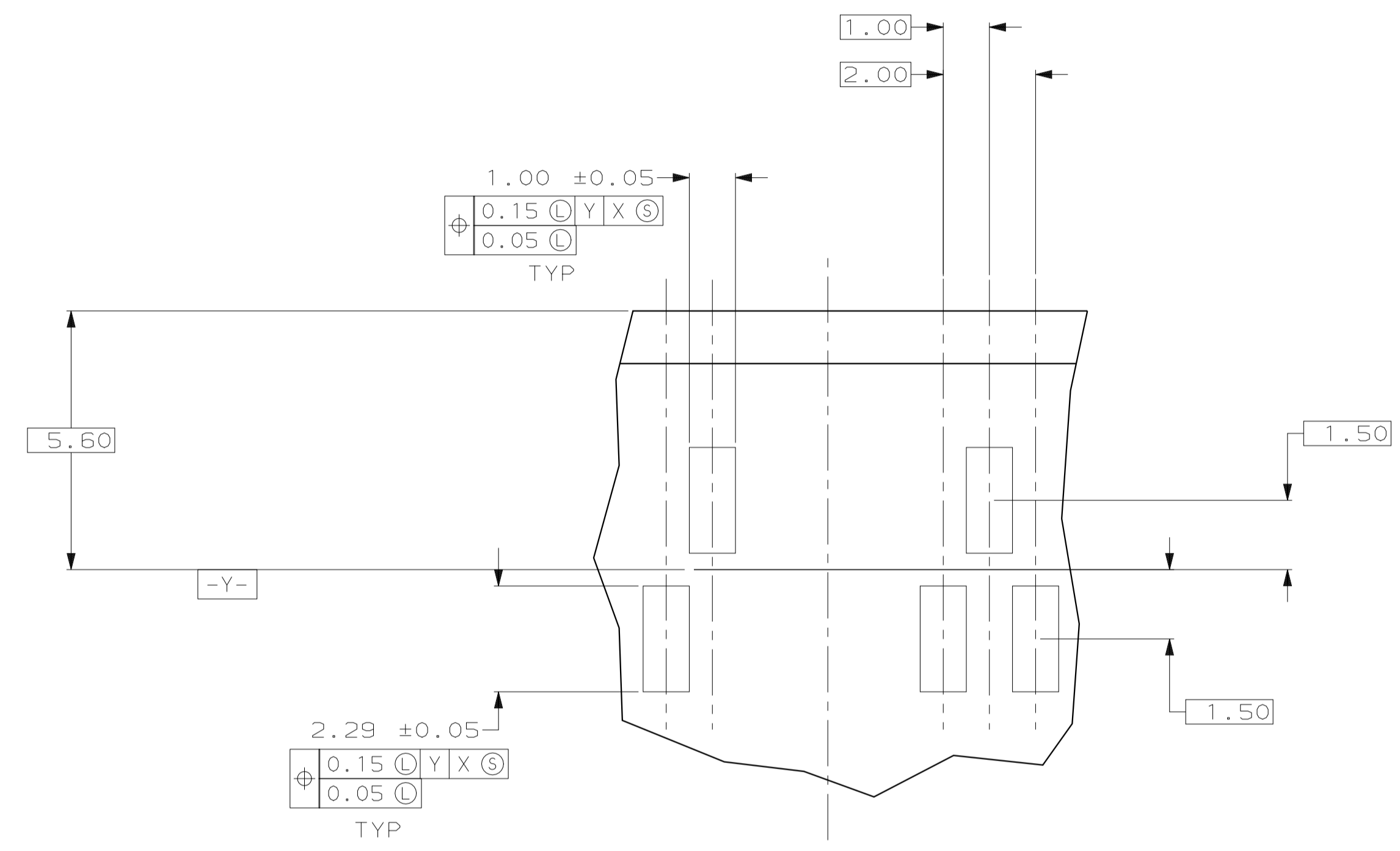
MOTHER BOARD LAYOUT

<small>THIS DRAWING IS UNPUBLISHED. RELEASED FOR PUBLICATION .19. IF IT IS SUBJECT TO CHANGE AMP, THE CONTROLLING ENGINEERING REGULATION SHOULD BE CONTROLLED FOR THE LATEST REVISION.</small>		DWN R BROWN 30MAR99 CHK K STILES 30MAR99 APVD D SUMMERS 30MAR99	AMP Incorporated Harrisburg, PA 17105-3608
DIMENSIONS: mm	TOLERANCES UNLESS OTHERWISE SPECIFIED: 0 PLC ±.01 1 PLC ±.02 2 PLC ±.03 3 PLC ±.04 4 PLC ±.05 ANGLES ±.1°	NAME AMP, 1mm C, STANDARD EDGE, 340 POSN, STRADDLE MOUNT CONNECTOR WITH MOUNTING EARS PRODUCT SPEC APPLICATION SPEC CASE CODE DRAWING NO. C=145282	SIZE A1 CASE CODE 00779 DRAWING NO. C=145282 SCALE 4:1 SHEET 24 OF 24 REV 0
MATERIAL	FINISH	WEIGHT	CUSTOMER DRAWING

LOC	DIST	REVISIONS			
SP	LTR	DESCRIPTION	DATE	DWN	APVD
AD	14	-	SEE SHEET 1	-	-



SECTION A-A



DETAIL G
SCALE 10:1

<small>THIS DRAWING IS UNPUBLISHED. RELEASED FOR PUBLICATION .19 IF IT IS SUBJECT TO CHANGE AMP, THE CONTROLLING ENGINEERING REGULATION SHOULD BE CONTACTED FOR THE LATEST REVISION.</small>		DWN R BROWN 30MAR99 CHK K STILES 30MAR99 APVD D SUMMERS 30MAR99	AMP Incorporated Harrisburg, PA 17105-3608
DIMENSIONS: mm 	TOLERANCES UNLESS OTHERWISE SPECIFIED: 0 PLC ±. 1 PLC ±. 2 PLC ±0.13 3 PLC ±0.013 4 PLC ±. ANGLES ±1°	NAME AMP, 1mm ϕ , STANDARD EDGE, 340 POSN, STRADDLE MOUNT CONNECTOR WITH MOUNTING EARS	SIZE A1 00779 C=145282
MATERIAL	FINISH	WEIGHT	SCALE 4:1
CUSTOMER DRAWING		SHEET 3 OF 4 REV 0	DRAWING NO C=145282

