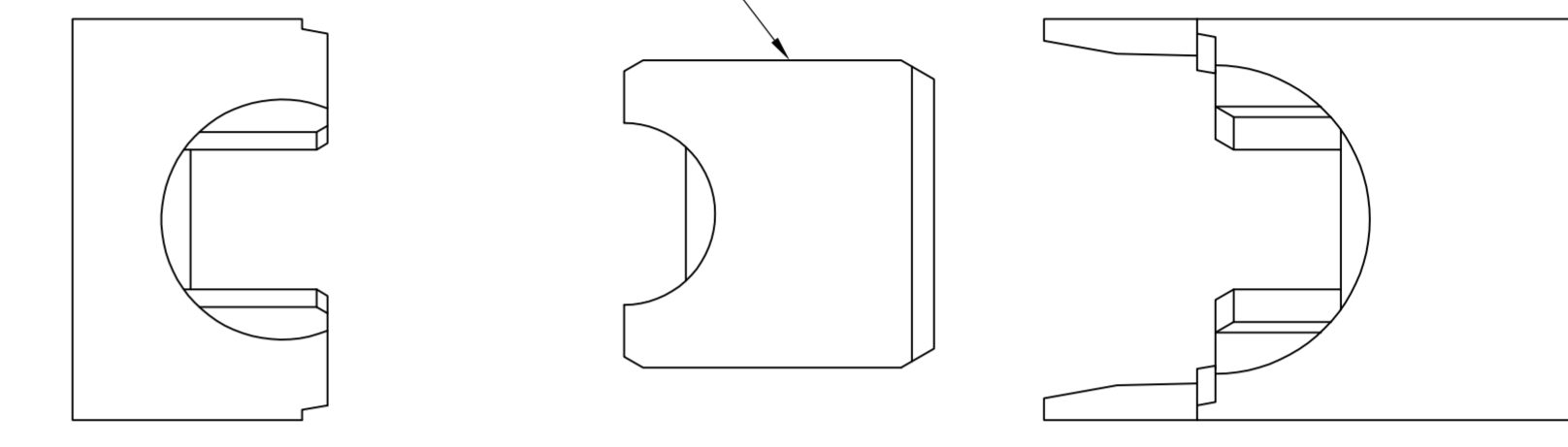
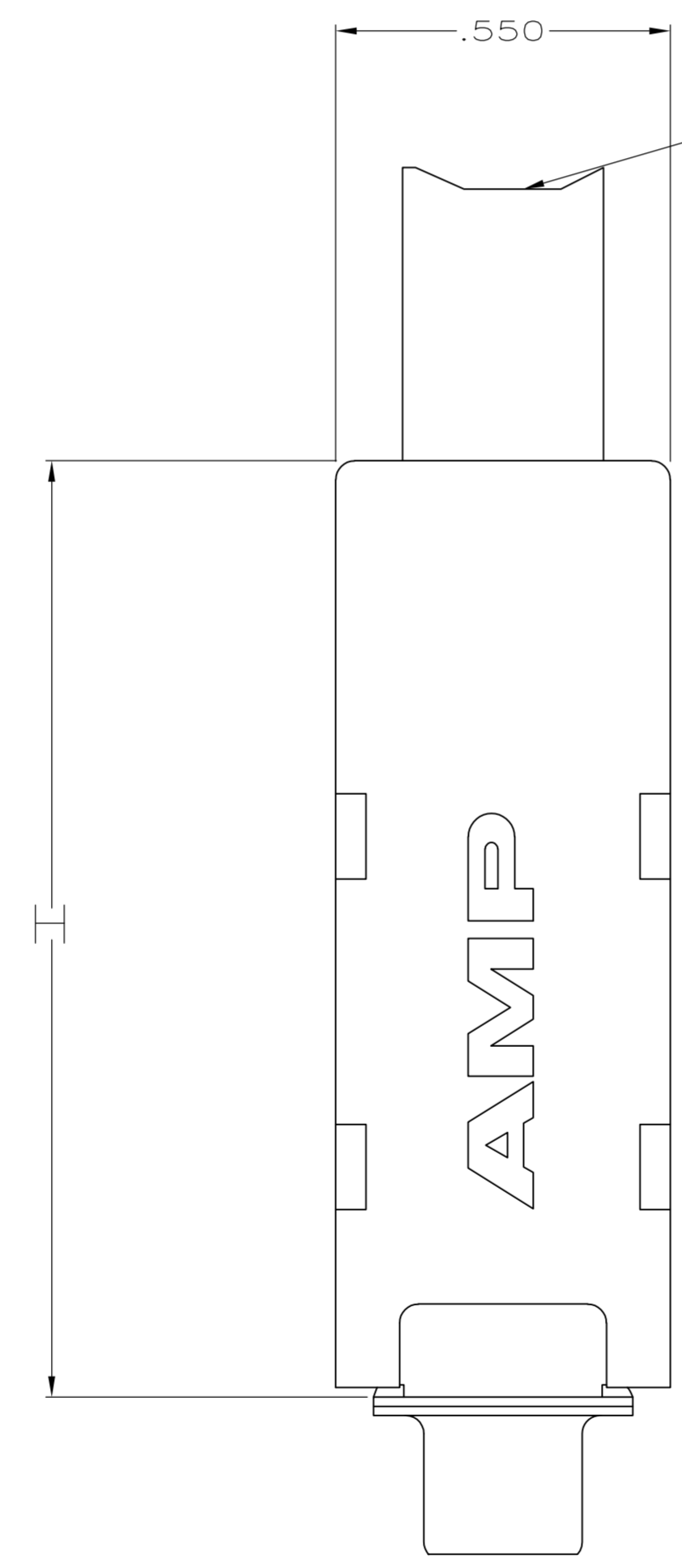
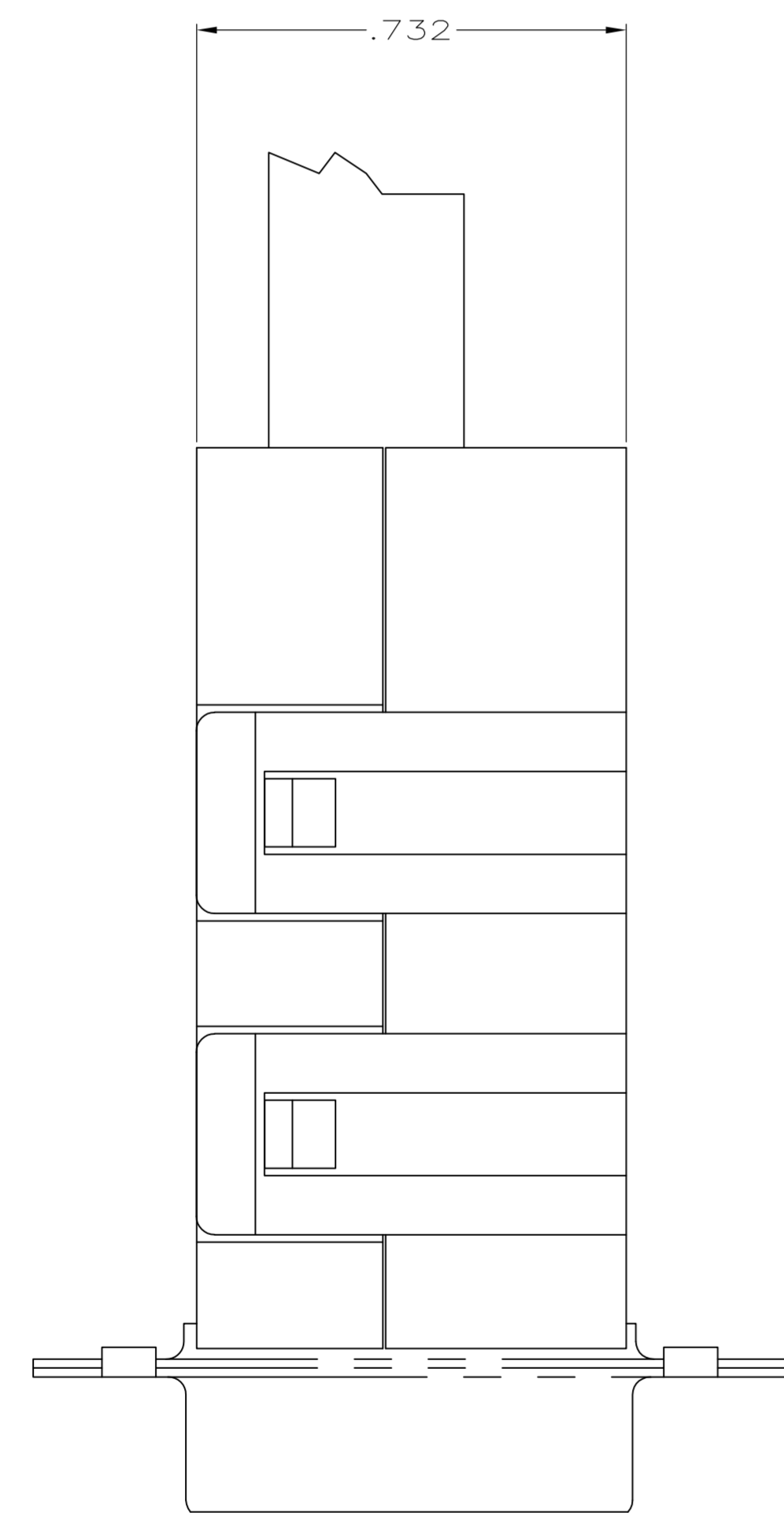


- ① ALL PARTS ARE PACKAGED UNASSEMBLED.
- 2 COVERS FIT HDE -20 TYPE CONNECTORS, BOTH PLASTIC & METAL SHELL ASSEMBLIES.
- 3 SIZE NUMBER MOLDED ON ALL PARTS.
- 4 PARTS ASSEMBLE WITHOUT HARDWARE.
- ⑤ KIT CONSISTS OF 2 COVERS & 1 GATE ASSORTMENT.
- ⑥ EACH PART IS INDIVIDUALLY BULK PACKED FOR MULTIPLE KIT ORDERS.

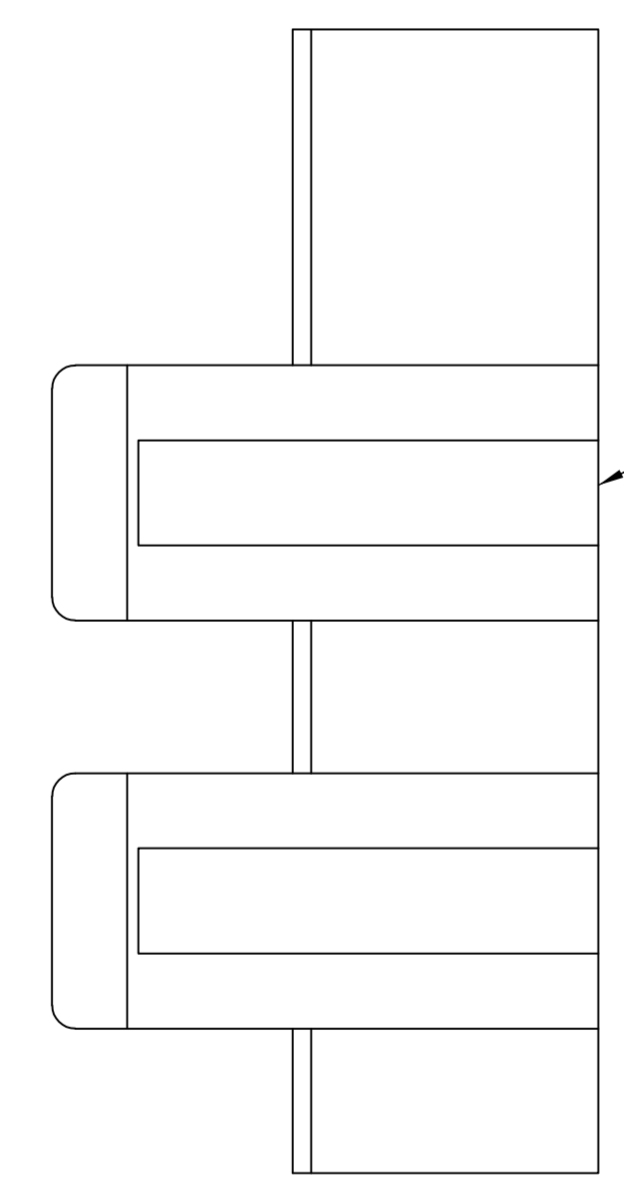
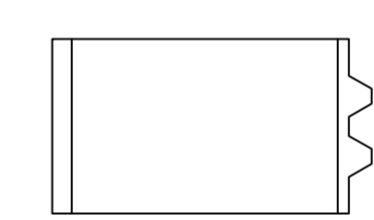
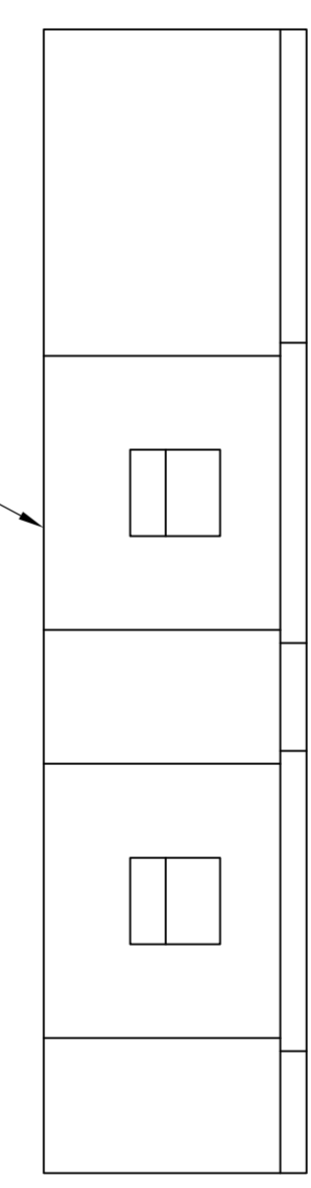
ASSORTED CABLE SUPPORT GATES(FOR VARIETY OF CABLE SIZES)
 SUPPLIED WITH CABLE CLAMP ASSEMBLIES



CLAMP ACCOMODATES DISCRETE WIRES OR JACKETED CABLE UP TO .330 INCH DIAMETER



F COVER
 1 REQUIRED
 PER ASSEMBLY



M COVER
 1 REQUIRED
 PER ASSEMBLY

	H
PLUG	1.582
RECEPTACLE	1.533

①	⑥	745547-2
①	⑤	745547-1
PACKAGING		PART NUMBER

THIS DRAWING IS A CONTROLLED DOCUMENT.		DWN	A STAUB_BG	5/12/90	TE Connectivity	
DIMENSIONS: INCHES		CHK			NAME	
TOLERANCES UNLESS OTHERWISE SPECIFIED:		APVD			KIT, LOW PROFILE, 180 DEG CABLE CLAMP, SIZE 1, 9 POSITION, AMPLIMITE™ HDE-20	
0 PLC	± .005	PRODUCT SPEC			APPLICATION SPEC	
1 PLC	± .005				SIZE	
2 PLC	± .005				CAGE CODE	
3 PLC	± .015				DRAWING NO	
4 PLC	± .015				RESTRICTED TO	
ANGLES	± .015				A1 00779	
MATERIAL	BLACK THERMOPLASTIC	FINISH			WEIGHT	
					C=745547	
					CUSTOMER DRAWING	
					SCALE	4:1
					SHEET	1 of 1
					REV	B1