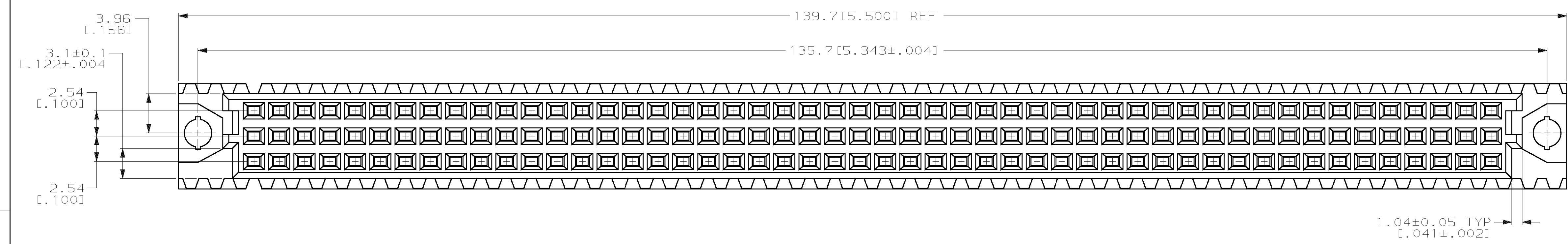
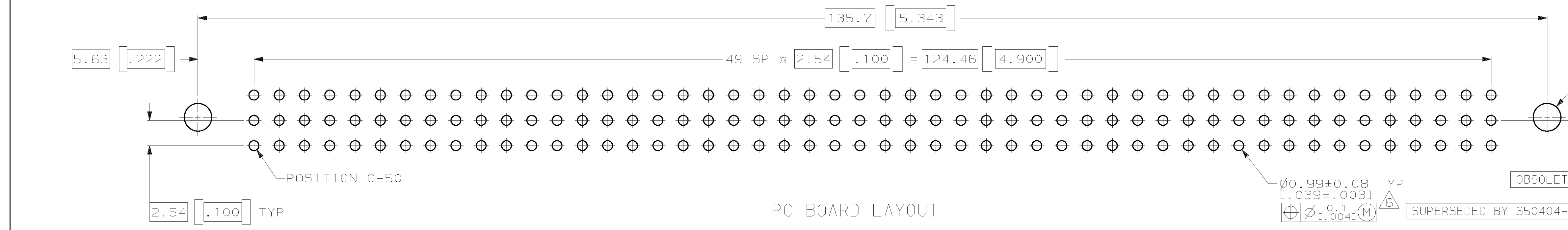
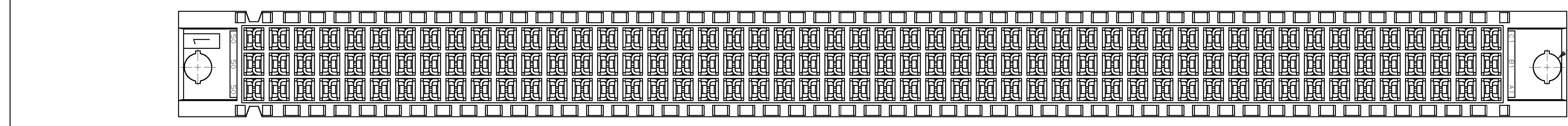
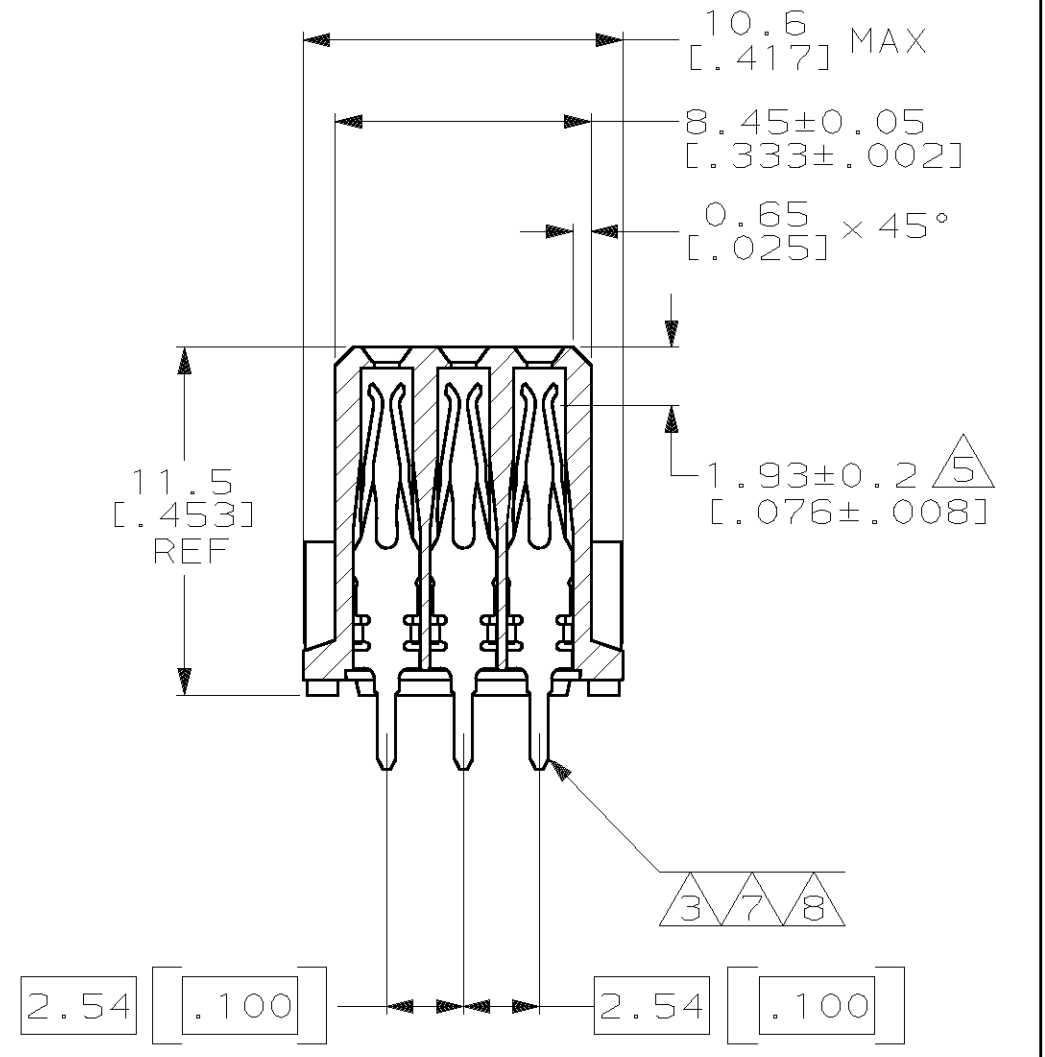
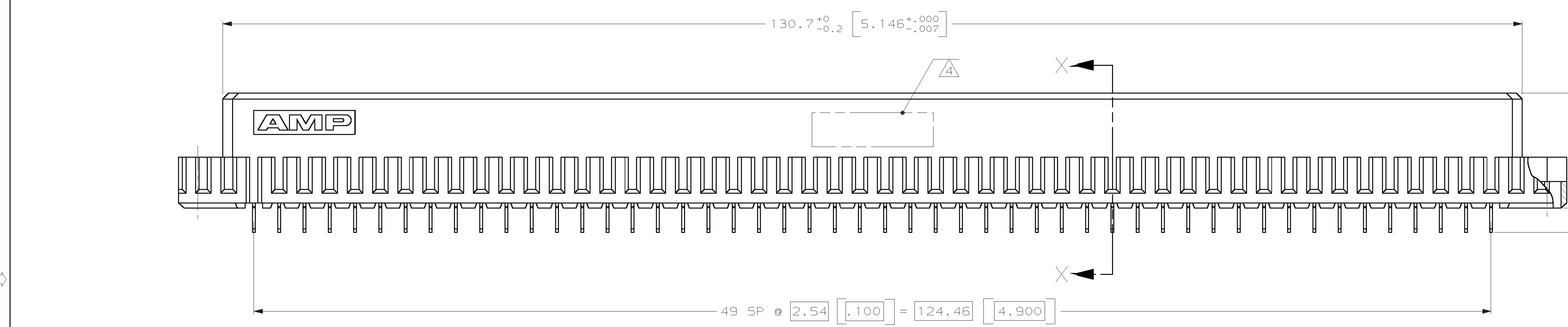


LOC	DIST	P	F	ZONE	LTR	REVISIONS	DATE	APPD
AD	25					0 DRAWN	-	-
						A ADD -9	1/18/91	LSB
						B ECN AD5297	1/23/91	LSB
						C ECN AD5876	11/19/91	LSB
						D EC 0010-0428-94	5/16/94	LSB
						E EC 0010-1431-95	1/17/96	RAP
						F EC 0010-1491-95	4/1/96	CR
						G REV PER EC 001B-0367-00	04 JAN 01	CR



- 1 HOUSING MATERIAL: GLASS-FILLED POLYESTER. COLOR: GRAY.
- 2 CONTACT MATERIAL: PHOSPHOR BRONZE.
- 3 CONTACT FINISH: 0.00076 [0.00030] GOLD IN CONTACT AREA. 0.00127 [0.00050] NICKEL UNDERPLATE ALL OVER. TIN-LEAD ON TAILS.
- 4 PART NUMBER, DATE CODE IDENTIFICATION, CSA LOGO IN THIS APPROXIMATE AREA.
- 5 POINT OF MEASUREMENT FOR GOLD.
- 6 RECOMMENDED HOLE SIZE FOR MANUAL APPLICATION OF CONNECTOR ONTO PC BOARD.
- 7 CONTACT FINISH: DIN 41612 CLASS 3 IN CONTACT AREA. 0.00127 [0.00050] NICKEL UNDERPLATE ALL OVER. TIN-LEAD ON TAILS.
- 8 CONTACT FINISH: DIN 41612 CLASS 2 IN CONTACT AREA. 0.00127 [0.00050] NICKEL UNDERPLATE ALL OVER. TIN-LEAD ON TAILS.



NOTES	POSITIONS LOADED	C	B	A	NO. OF LOADED POSITIONS	ASSY PART NUMBER
OBSELETE	1 THRU 50	X	X	X	150	650404-9
SUPERSEDED BY 650404-5	1 THRU 50	X	X	X	150	650404-5
	1 THRU 50	X	X	X	150	650404-4

DO NOT SCALE PRINT. UNLESS SPECIFIED DIMENSIONS IN mm [INCHES] TOLERANCES ON: 2 PLC DEC ± - 3 PLC DEC ± 0.13 [0.005] ANGLES ± -	DR L. BRINER 6/12/89	AMP AMP INCORPORATED Harrisburg, Pa. 17105 NAME ASSEMBLY, RECEPTACLE, EUROCARD, SOLDER TAIL, 150 POSITION
HSG	CHK J. BROWN 8/1/89	
CONT	APPD J. BROWN 8/1/89	
FINISH	APPD J. BROWN 8/1/89	
CONT	APPLICATION SPEC	SIZE D 00779
	WEIGHT	FSCM NO 00779
		DRAWING NO 650404
		SCALE 4:1
		SHEET 1 OF 1