

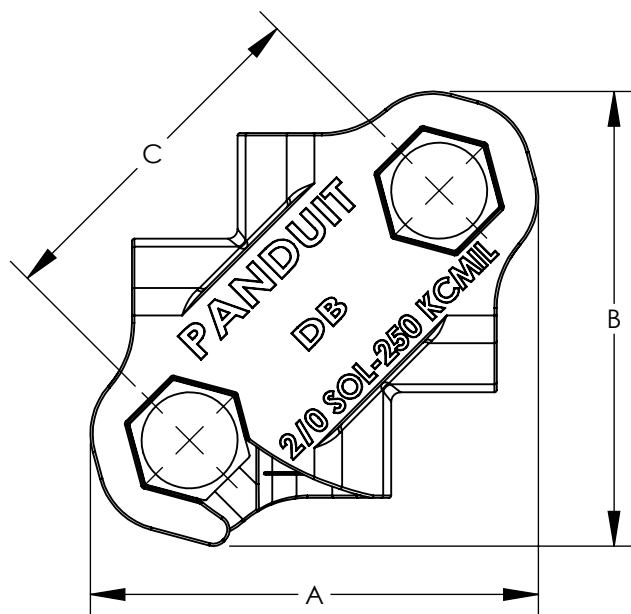
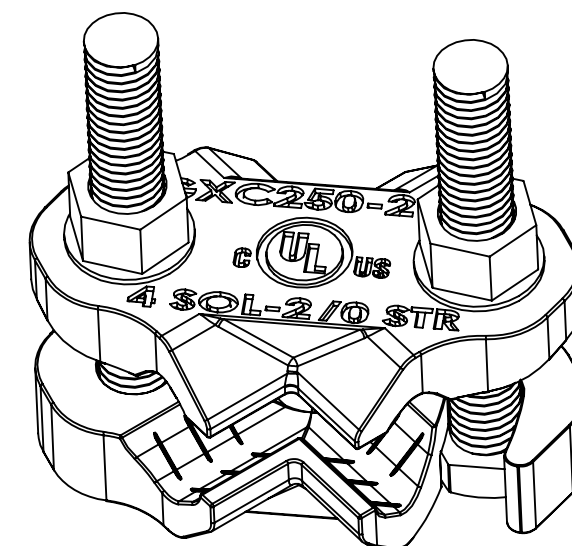
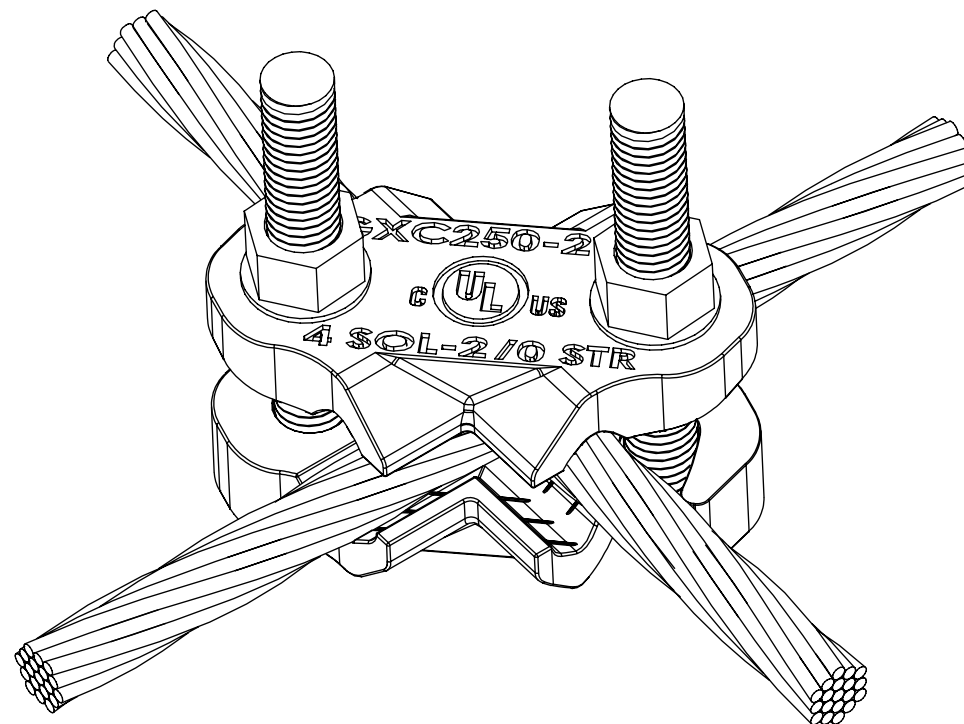
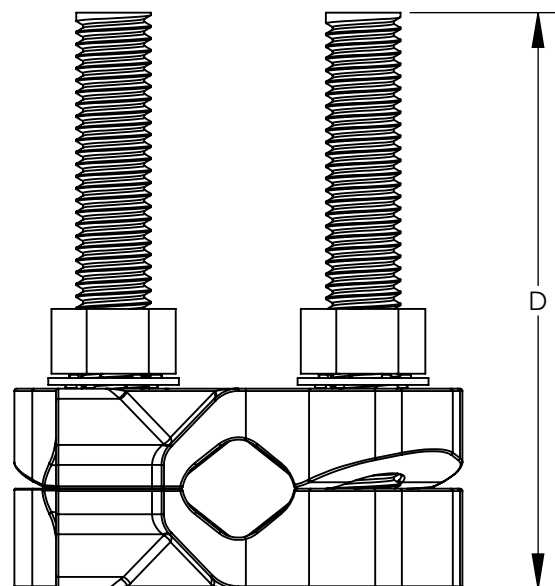
THIS COPY IS PROVIDED ON A RESTRICTED BASIS AND IS NOT TO BE USED IN ANY WAY DETRIMENTAL TO THE INTERESTS OF PANDUIT CORP.

NOTES:

1. MATERIAL: BODY - HIGH CONDUCTIVITY COPPER  
HARDWARE - SILICON BRONZE
2. FOR USE WITH COPPER CONDUCTORS ONLY.
3. cULus LISTED 486 & 467 FOR POWER AND GROUNDING.  
cULus LISTED FOR USE UP TO 600V, TEMPERATURE RATED 90°C
4. RATED FOR DIRECT BURIAL FOR GROUNDING.



PART NUMBER	RUN BOTTOM PLATE RANGE		TAP TOP PLATE RANGE	DIMENSIONS - IN [mm] ± .05 [1.3]				WRENCH SIZE	INSTALLATION TORQUE (lbf-in)
	CONDUCTOR RANGE (AWG)	CU GROUND ROD DIAMETER	CONDUCTOR RANGE (AWG)	A	B	C	D		
GXC4-4	8-4 STR/SOL	----	8-4 STR/SOL	1.85 [47.1]	1.89 [48.0]	1.34 [34.1]	2.24 [56.8]	9/16"	120
GXC250-4	2/0 SOL - 4/0 SOL 2/0 STR - 250 kcmil	1/2"	8-4 STR/SOL	2.33 [59.3]	2.37 [60.1]	1.84 [46.7]			
GXC250-2/0			4-2/0 STR/SOL						
GXC250-250			2/0 SOL - 4/0 SOL 2/0 STR - 250 kcmil						
GXC500-4	300 kcmil - 500 kcmil	3/4"	8-4 STR/SOL	2.42 [61.5]	2.46 [62.4]	1.98 [50.3]	3.24 [82.2]	384	
GXC500-2/0			4-2/0 STR/SOL						
GXC500-250			2/0 SOL - 4/0 SOL 2/0 STR - 250 kcmil						
GXC500-500			300 kcmil - 500 kcmil				3.07 [77.9]		3.10 [78.8]



REV	DATE	BY	CHK	APR	DESCRIPTION	ECN
01	4/18	JHNU	JLOV	RGB	REVISED 'D' DIMENSION FOR ALL PARTS	00051EBK-DC
00	11/17	JHNU	JLOV	RGB	DRAWING RELEASED	

TITLE		CROSS CONNECTORS (GXC SERIES)	
		CUSTOMER DRAWING	
ITEM REVISION NAME	00051EBK/01		
DATASET FILE NAME	00051EBK-DC/01.SLDDRW		
UNLESS OTHERWISE SPECIFIED, DIMENSIONAL TOLERANCES ARE: IN [mm]		MATERIAL	
.X ±	.XXX ±	SEE NOTES	
.XX ±	ANGLES ±	DRAWING NUMBER	
THIRD ANGLE PROJECTION		00051EBK-DC	
DRAWN BY	DATE	CHK	SCALE
JHNU	11/17	JLOV	N/A
SHEET 1 OF 1			SIZE
			B