

PART NAME

DATA COM DISTRIBUTION CABINET

PART No.

DC-8050

CABINET RACK

MATERIAL:

PANEL MOUNTING RAILS _____ 12 GA. STEEL
VERTICAL RAILS _____ 14 GA. STEEL
TOP, BOTTOM, PLATES &
RAIL SUPPORTS _____ 16 GA. STEEL
SIDES & REAR DOOR _____ 20 GA. STEEL

FINISH:

FRAME ASSEMBLY, SIDES, REAR DOOR
& REAR DOOR HINGES _____ BLACK TEXTURE
_____ ROYAL BLUE TEXTURE
_____ WHITE TEXTURE
PANEL MOUNTING RAILS _____ SMOOTH BLACK

CABLE MANAGEMENT PANEL

MATERIAL: 16 GA. STEEL
FINISH: BLACK

CABLE CLIP BRACKETS

MATERIAL: 16 GA. SPRING STEEL
FINISH: BLACK

LOCKING PLEXIGLAS DOOR

MATERIAL:

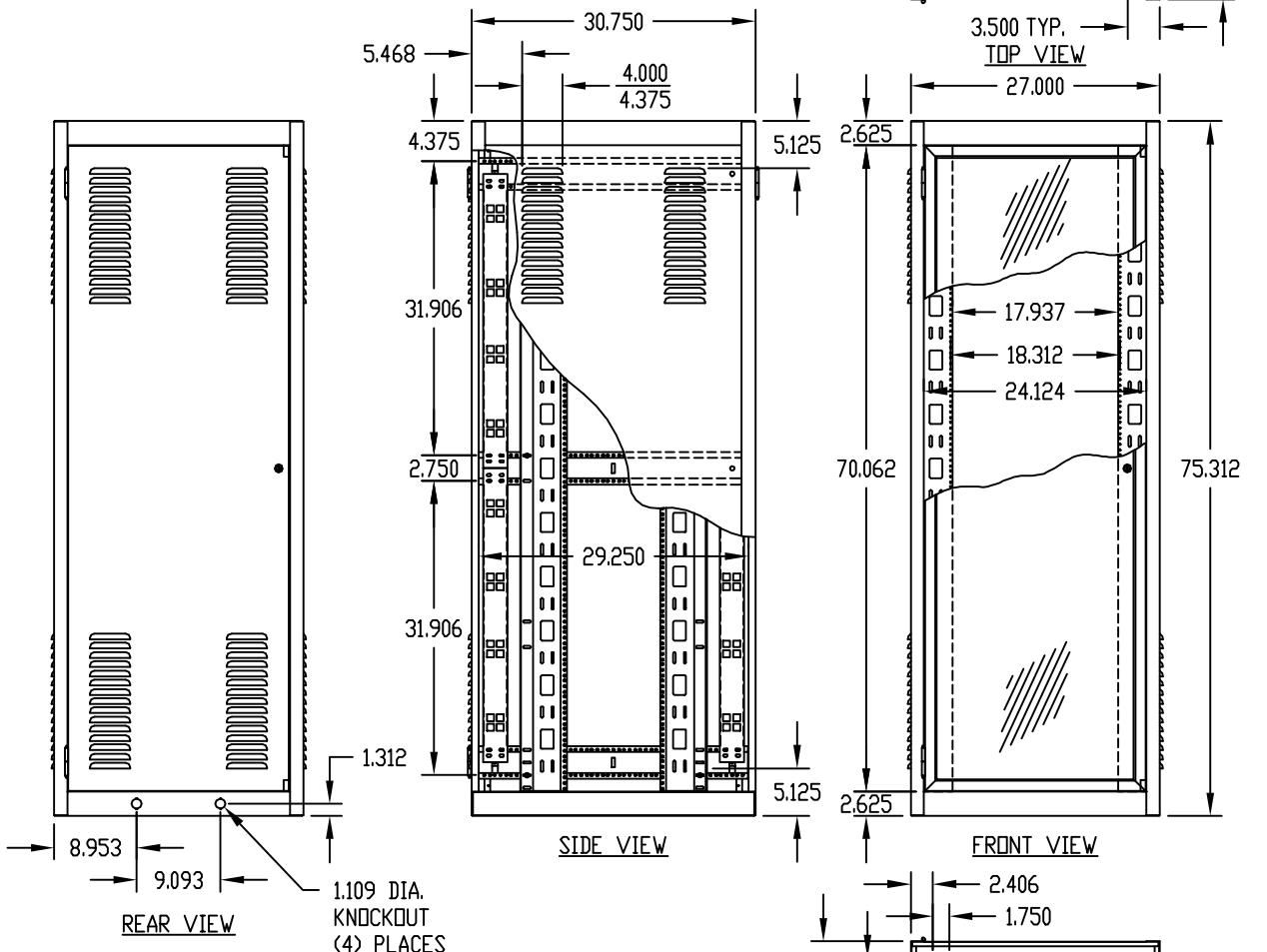
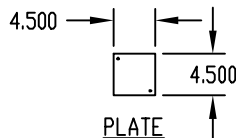
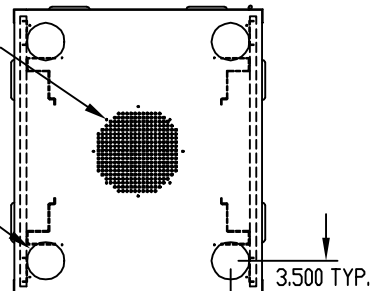
DOOR FRAME _____ ALUMINUM EXTRUSION
PLEXIGLAS _____ 3/16 THICK

FINISH:

ALUMINUM EXTRUSIONS _____ CLEAR ANODIZED
PLEXIGLAS _____ SMOKE GRAY
DOOR HINGES _____ METALLIC GRAY

FULL LENGTH ALUMINUM EXTRUSION FRAMED
LOCKING PLEXIGLAS DOOR FLUSH MOUNTED.

MOUNTING PROVISIONS
FOR OPTIONAL FAN



LOAD RATING: 1200 LBS. MAX.

PANEL MTG. RAILS ARE FULLY ADJUSTABLE AND
TAPPED #10-32 ON E.I.A. UNIVERSAL SPACING.
(TOTAL OF FOUR PANEL MOUNTING RAILS)

BOTTOM PIERCED FOR RC-7758 CASTERS.

THIS UNIT SUPPLIED WITH:
EIGHT (8) CABLE MANAGEMENT PANELS &
FIFTEEN (15) CABLE CLIP BRACKETS.

